

Robert Bosch Power Tools GmbH
70538 Stuttgart
GERMANY

www.bosch-pt.com

1 609 92A 1VY (2014.05) I / 42



1 609 92A 1VY

GSB Professional

20-2 | 20-2 RE

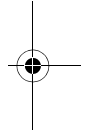
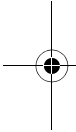
 **BOSCH**

en Original instructions
cn 正本使用说明书
tw 原始使用說明書
ko 사용 설명서 원본
th หนังสือคู่มือการใช้งานฉบับต้นแบบ
id Petunjuk-Petunjuk untuk Penggunaan Orisinal
vi Bản gốc hướng dẫn sử dụng

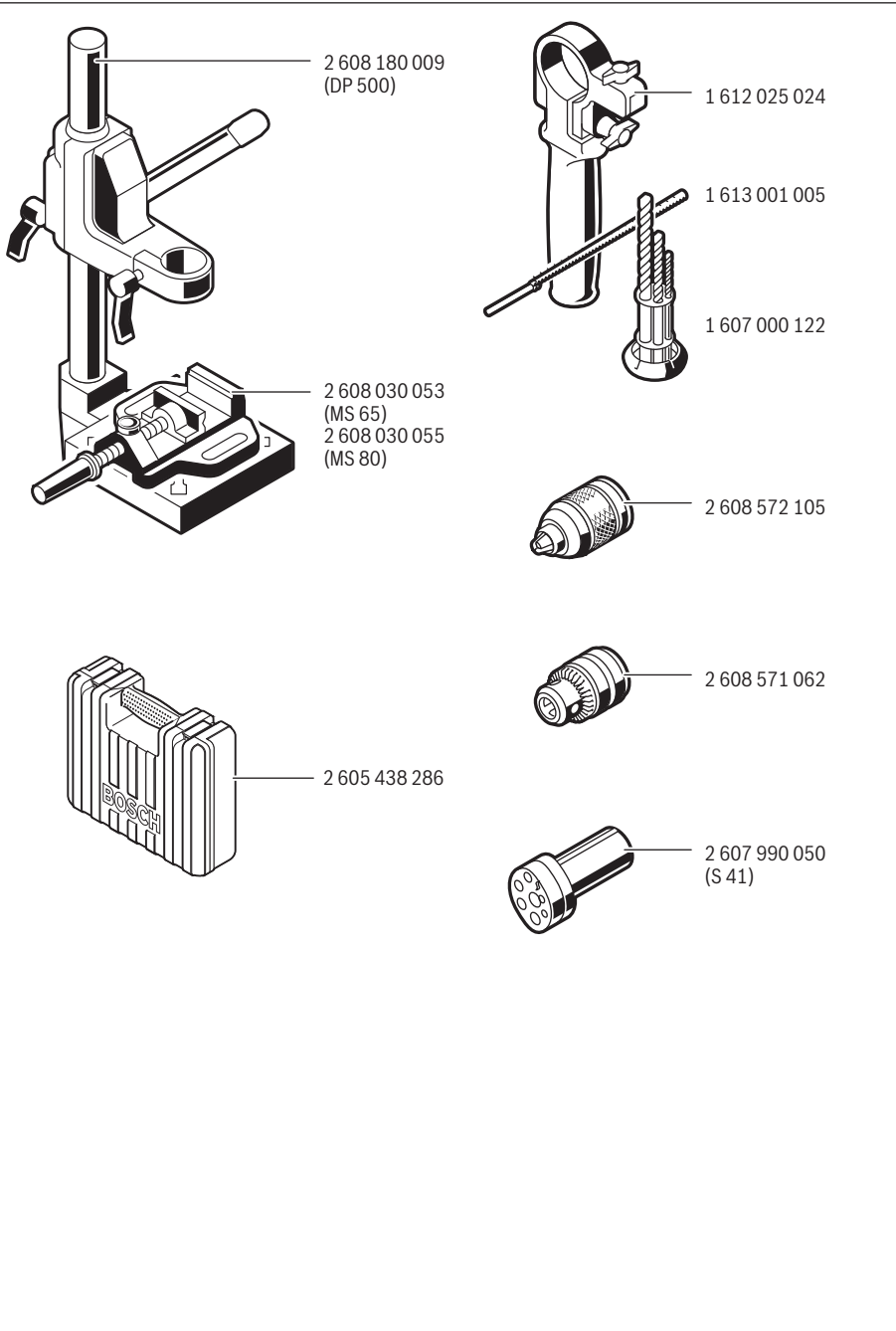




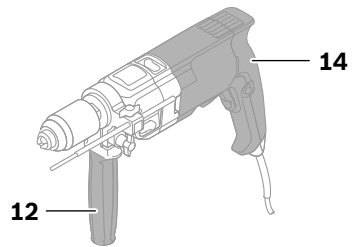
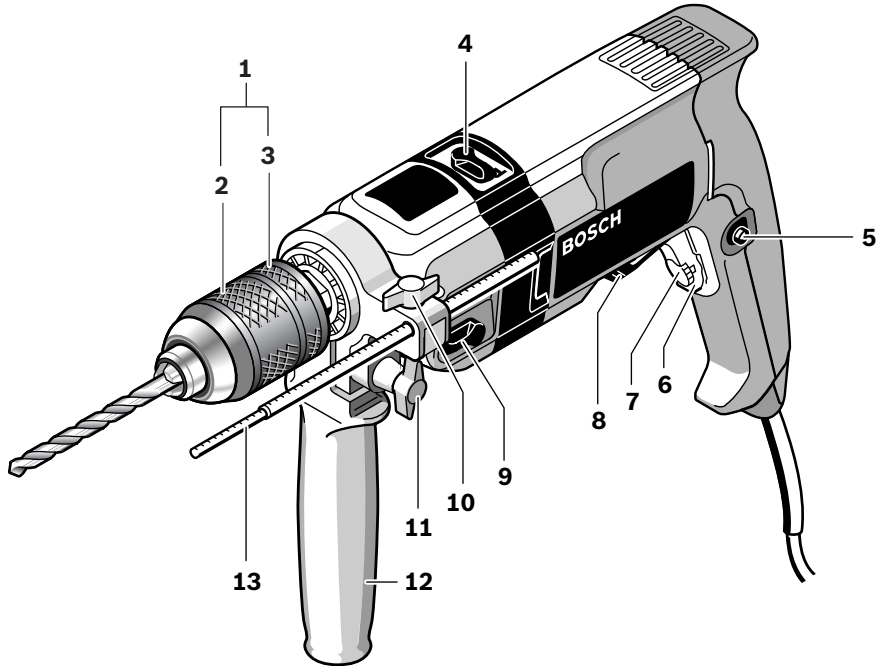
English	Page	6
中文	页	11
中文	頁	16
한국어	페이지	20
ภาษาไทย.....	หน้า	25
Bahasa Indonesia	Halaman	30
Tiếng Việt	Trang	36



3 |

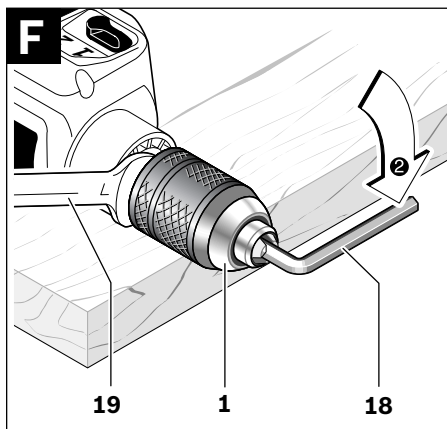
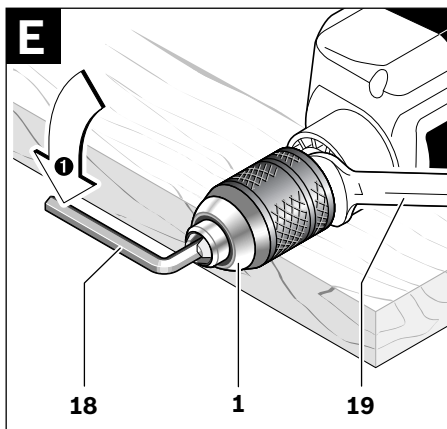
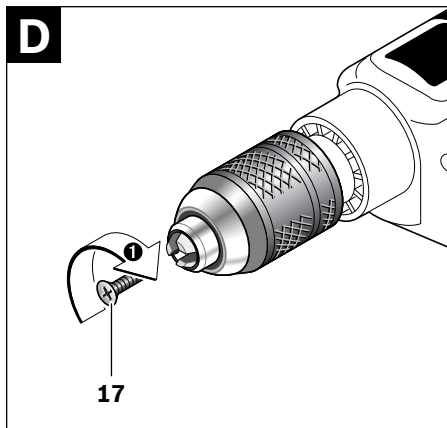
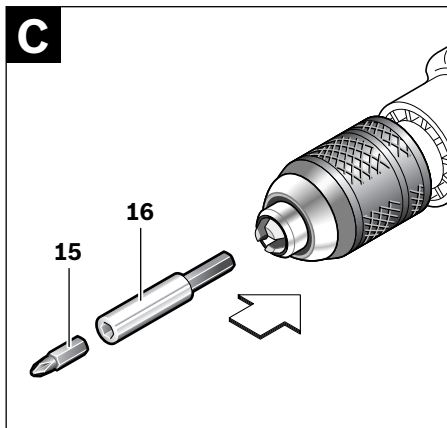
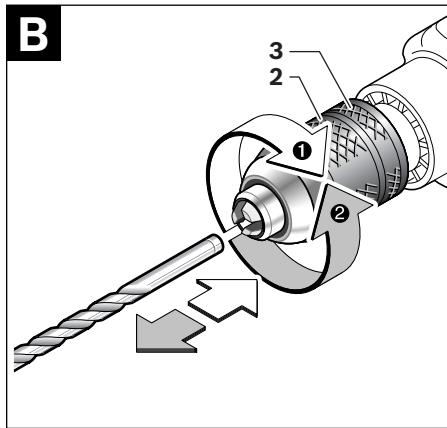
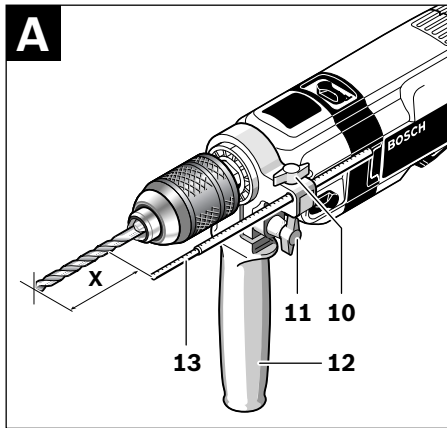


4 |



**GSB 20-2 RE
Professional**

5 |



English

Safety Notes

General Power Tool Safety Warnings

⚠ WARNING Read all safety warnings and all instructions. Failure to follow the warnings and instructions may result in electric shock, fire and/or serious injury.

Save all warnings and instructions for future reference.

The term "power tool" in the warnings refers to your mains-operated (corded) power tool or battery-operated (cordless) power tool.

Work area safety

- ▶ **Keep work area clean and well lit.** Cluttered or dark areas invite accidents.
- ▶ **Do not operate power tools in explosive atmospheres, such as in the presence of flammable liquids, gases or dust.** Power tools create sparks which may ignite the dust or fumes.
- ▶ **Keep children and bystanders away while operating a power tool.** Distractions can cause you to lose control.

Electrical safety

- ▶ **Power tool plugs must match the outlet. Never modify the plug in any way. Do not use any adapter plugs with earthed (grounded) power tools.** Unmodified plugs and matching outlets will reduce risk of electric shock.
- ▶ **Avoid body contact with earthed or grounded surfaces, such as pipes, radiators, ranges and refrigerators.** There is an increased risk of electric shock if your body is earthed or grounded.
- ▶ **Do not expose power tools to rain or wet conditions.** Water entering a power tool will increase the risk of electric shock.
- ▶ **Do not abuse the cord. Never use the cord for carrying, pulling or unplugging the power tool. Keep cord away from heat, oil, sharp edges and moving parts.** Damaged or entangled cords increase the risk of electric shock.
- ▶ **When operating a power tool outdoors, use an extension cord suitable for outdoor use.** Use of a cord suitable for outdoor use reduces the risk of electric shock.
- ▶ **If operating a power tool in a damp location is unavoidable, use a residual current device (RCD) protected supply.** Use of an RCD reduces the risk of electric shock.

Personal safety

- ▶ **Stay alert, watch what you are doing and use common sense when operating a power tool. Do not use a power tool while you are tired or under the influence of drugs, alcohol or medication.** A moment of inattention while operating power tools may result in serious personal injury.
- ▶ **Use personal protective equipment. Always wear eye protection.** Protective equipment such as dust mask, non-skid safety shoes, hard hat, or hearing protection used for appropriate conditions will reduce personal injuries.

- ▶ **Prevent unintentional starting. Ensure the switch is in the off-position before connecting to power source and/or battery pack, picking up or carrying the tool.** Carrying power tools with your finger on the switch or energising power tools that have the switch on invites accidents.
- ▶ **Remove any adjusting key or wrench before turning the power tool on.** A wrench or a key left attached to a rotating part of the power tool may result in personal injury.
- ▶ **Do not overreach. Keep proper footing and balance at all times.** This enables better control of the power tool in unexpected situations.
- ▶ **Dress properly. Do not wear loose clothing or jewellery. Keep your hair, clothing and gloves away from moving parts.** Loose clothes, jewellery or long hair can be caught in moving parts.
- ▶ **If devices are provided for the connection of dust extraction and collection facilities, ensure these are connected and properly used.** Use of dust collection can reduce dust-related hazards.

Power tool use and care

- ▶ **Do not force the power tool. Use the correct power tool for your application.** The correct power tool will do the job better and safer at the rate for which it was designed.
- ▶ **Do not use the power tool if the switch does not turn it on and off.** Any power tool that cannot be controlled with the switch is dangerous and must be repaired.
- ▶ **Disconnect the plug from the power source and/or the battery pack from the power tool before making any adjustments, changing accessories, or storing power tools.** Such preventive safety measures reduce the risk of starting the power tool accidentally.
- ▶ **Store idle power tools out of the reach of children and do not allow persons unfamiliar with the power tool or these instructions to operate the power tool.** Power tools are dangerous in the hands of untrained users.
- ▶ **Maintain power tools. Check for misalignment or binding of moving parts, breakage of parts and any other condition that may affect the power tool's operation. If damaged, have the power tool repaired before use.** Many accidents are caused by poorly maintained power tools.
- ▶ **Keep cutting tools sharp and clean.** Properly maintained cutting tools with sharp cutting edges are less likely to bind and are easier to control.
- ▶ **Use the power tool, accessories and tool bits etc. in accordance with these instructions, taking into account the working conditions and the work to be performed.** Use of the power tool for operations different from those intended could result in a hazardous situation.

Service

- ▶ **Have your power tool serviced by a qualified repair person using only identical replacement parts.** This will ensure that the safety of the power tool is maintained.

Safety Warnings for Drills

- ▶ **Wear ear protectors when impact drilling.** Exposure to noise can cause hearing loss.
- ▶ **Use auxiliary handle(s), if supplied with the tool.** Loss of control can cause personal injury.
- ▶ **Hold power tool by insulated gripping surfaces, when performing an operation where the cutting accessory may contact hidden wiring or its own cord.** Cutting accessory contacting a "live" wire may make exposed metal parts of the power tool "live" and could give the operator an electric shock.
- ▶ **Use suitable detectors to determine if utility lines are hidden in the work area or call the local utility company for assistance.** Contact with electric lines can lead to fire and electric shock. Damaging a gas line can lead to explosion. Penetrating a water line causes property damage or may cause an electric shock.
- ▶ **Switch off the power tool immediately when the tool insert jams. Be prepared for high reaction torque that can cause kickback.** The tool insert jams when:
 - the power tool is subject to overload or
 - it becomes wedged in the workpiece.
- ▶ **When working with the machine, always hold it firmly with both hands and provide for a secure stance.** The power tool is guided more secure with both hands.
- ▶ **Secure the workpiece.** A workpiece clamped with clamping devices or in a vice is held more secure than by hand.
- ▶ **Always wait until the machine has come to a complete stop before placing it down.** The tool insert can jam and lead to loss of control over the power tool.
- ▶ **Never use the machine with a damaged cable. Do not touch the damaged cable and pull the mains plug when the cable is damaged while working.** Damaged cables increase the risk of an electric shock.

Products sold in GB only: Your product is fitted with a BS 1363/A approved electric plug with internal fuse (ASTA approved to BS 1362).

If the plug is not suitable for your socket outlets, it should be cut off and an appropriate plug fitted in its place by an authorised customer service agent. The replacement plug should have the same fuse rating as the original plug.

The severed plug must be disposed of to avoid a possible shock hazard and should never be inserted into a mains socket elsewhere.

Products sold in AUS and NZ only: Use a residual current device (RCD) with a rated residual current of 30 mA or less.

Product Description and Specifications



Read all safety warnings and all instructions. Failure to follow the warnings and instructions may result in electric shock, fire and/or serious injury.

Intended Use

The machine is intended for impact drilling in brick, concrete and stone as well as for drilling in wood, metal and plastic. Machines with electronic control and right/left rotation are also suitable for screwdriving and thread-cutting.

Product Features

The numbering of the product features refers to the illustration of the machine on the graphics page.

- 1 Keyless chuck
- 2 Front sleeve
- 3 Rear sleeve
- 4 "Drilling/Impact Drilling" selector switch
- 5 Lock-on button for On/Off switch
- 6 On/Off switch
- 7 Thumbwheel for speed preselection (GSB 20-2 RE)
- 8 Rotational direction switch (GSB 20-2 RE)
- 9 Gear selector
- 10 Wing bolt for depth stop adjustment
- 11 Wing bolt for adjustment of auxiliary handle
- 12 Auxiliary handle (insulated gripping surface)*
- 13 Depth stop*
- 14 Handle (insulated gripping surface)
- 15 Screwdriver bit*
- 16 Universal bit holder*
- 17 Securing screw for keyless chuck
- 18 Allen Key**
- 19 Open-end spanner**

*Accessories shown or described are not part of the standard delivery scope of the product. A complete overview of accessories can be found in our accessories program.

**Commercially available (not included in the delivery scope)

8 | English

Technical Data

Impact Drill		GSB 20-2 Professional	GSB 20-2 RE Professional
Article number		0 601 184 2..	0 601 184 6..
Rated power input	W	701	701
Output power	W	380	380
No-load speed			
– 1st gear	min ⁻¹	1 000	0 – 1 000
– 2nd gear	min ⁻¹	3 000	0 – 3 000
Rated speed			
– 1st gear	min ⁻¹	600	0 – 600
– 2nd gear	min ⁻¹	2 200	0 – 2 200
Impact rate	min ⁻¹	48 000	48 000
Rated torque			
– 1st gear	Nm	5.1	2.0
– 2nd gear	Nm	5.1	2.0
Spindle collar dia.	mm	43	43
Speed preselection		–	●
Right/left rotation		–	●
Max. drilling dia.			
– Concrete	mm	20	20
– Steel	mm	13	13
– Wood	mm	40	40
Chuck clamping range	mm	1.5 – 13	1.5 – 13
Weight according to EPTA-Procedure 01/2003	kg	2.1	2.2
Protection class		□/II	□/II

The values given are valid for a nominal voltage [U] of 230 V. For different voltages and models for specific countries, these values can vary.

Assembly

- ▶ **Before any work on the machine itself, pull the mains plug.**

Auxiliary Handle (see figure A)

- ▶ **Operate your machine only with the auxiliary handle 12.**

The auxiliary handle 12 can be set to any position for a secure and low-fatigue working posture.

Turn the wing bolt for adjustment of the auxiliary handle 11 in anticlockwise direction and set the auxiliary handle 12 to the required position. Then tighten the wing bolt 11 again in clockwise direction.

Adjusting the Drilling Depth

The required drilling depth **X** can be set with the depth stop 13.

Loosen the wing bolt for the depth stop adjustment 10 and insert the depth stop rod into the auxiliary handle 12.

The knurled surface of the depth stop 13 must face upward.

Pull out the depth stop until the distance between the tip of the drill bit and the tip of the depth stop correspond with the desired drilling depth **X**.

Retighten the wing bolt for the depth stop adjustment 10 again.

Changing the Tool**Keyless Chuck (see figure B)**

Hold the rear sleeve 3 of the keyless chuck 1 tight and turn the front sleeve 2 in rotation direction ①, until the tool can be inserted. Insert the tool.

Hold the rear sleeve 3 of the keyless chuck 1 tight and firmly turn the front sleeve 2 in rotation direction ② by hand until the locking action is no longer heard. This automatically locks the drill chuck.

The locking is released again to remove the tool when the front sleeve 2 is turned in the opposite direction.

Screwdriver Tools (GSB 20-2 RE) (see figure C)

When working with screwdriver bits 15, a universal bit holder 16 should always be used. Use only screwdriver bits that fit the screw head.

For driving screws, always position the "Drilling/Impact Drilling" selector switch 4 to the "Drilling" symbol.

Replacing the Drill Chuck**Removing the Securing Screw (see figure D)**

The keyless chuck 1 is secured with a securing screw 17 against unintentional loosening from the drill spindle. Completely open the keyless chuck 1 and unscrew the securing screw 17 in rotation direction ①. **Please note that the securing screw has a left-hand thread.**

If the securing screw **17** is seated tightly, apply a screwdriver to the screw head and loosen the securing screw by giving a blow onto the handle of the screwdriver.

Removing the Drill Chuck (see figure E)

To dismount the keyless chuck **1**, clamp an Allen key **18** into the keyless chuck **1** and position an open-end spanner **19** (size 14 mm) against the spanner flats of the drive spindle. Place the machine on a firm support, e.g., a workbench. Hold the open-end spanner **19** firmly and loosen the keyless chuck **1** by turning the Allen key **18** in rotation direction **⚙**. Loosen a tight seated keyless chuck by giving the long end of the Allen key **18** a blow. Remove the Allen key from the keyless chuck and completely unscrew the keyless chuck.

Mounting the Drill Chuck (see figure F)

The keyless chuck is mounted in reverse order.



The drill chuck must be tightened with a tightening torque of approx. 30 – 35 Nm.

Screw the securing screw **17** in anti-clockwise direction into the opened keyless chuck. Always use a new securing screw, as the threads are covered with a thread-locking compound that loses its effect after multiple usage.

Dust/Chip Extraction

- ▶ Dusts from materials such as lead-containing coatings, some wood types, minerals and metal can be harmful to one's health. Touching or breathing-in the dusts can cause allergic reactions and/or lead to respiratory infections of the user or bystanders.

Certain dusts, such as oak or beech dust, are considered as carcinogenic, especially in connection with wood-treatment additives (chromate, wood preservative). Materials containing asbestos may only be worked by specialists.

- Provide for good ventilation of the working place.
- It is recommended to wear a P2 filter-class respirator.

Observe the relevant regulations in your country for the materials to be worked.

- ▶ **Prevent dust accumulation at the workplace.** Dusts can easily ignite.

Operation

Starting Operation

- ▶ **Observe correct mains voltage! The voltage of the power source must agree with the voltage specified on the nameplate of the machine. Power tools marked with 230 V can also be operated with 220 V.**

Reversing the rotational direction (GSB 20-2 RE)

- ▶ **Actuate the rotational direction switch 8 only when the machine is at a standstill.**

The rotational direction switch **8** is used to reverse the rotational direction of the machine. However, this is not possible with the On/Off switch **6** actuated.

Right rotation: Press the rotational direction switch **8** through to the right stop (for drilling and driving screws).

Left rotation: Press the rotational direction switch **8** through to the left stop (for loosening and unscrewing screws and nuts).

Setting the operating mode



Drilling and Screwdriving

Set the selector switch **4** to the "Drilling" symbol.



Impact Drilling

Set the selector switch **4** to the "Impact drilling" symbol.

The selector switch **4** engages noticeably and can also be actuated with the machine running.

Gear selection, mechanical

- ▶ **The gear selector 9 can be actuated on machines running at low speed. However, this should not be done when the machine is stopped, at full load or running at maximum speed.**

Two speed ranges can be preselected with the gear selector **9**.

Gear I:

Low speed range; for working with large drilling diameter or for driving in screws.

Gear II:

High speed range; for working with small drilling diameter. If the gear selector **9** cannot be fully engaged, lightly rotate the drive spindle with the drill bit by twisting the drill chuck.

Switching On and Off

To **start** the machine, press the On/Off switch **6** and keep it pressed.

To lock the **pressed** On/Off switch **6**, press the lock-on button **5**.

To **switch off** the machine, release the On/Off switch **6** or when it is locked with the lock-on button **5**, briefly press the On/Off switch **6** and then release it.

Adjusting the Speed/Impact Frequency (GSB 20-2 RE)

The speed/impact rate of the switched on power tool can be variably adjusted, depending on how far the On/Off switch **6** is pressed.

Light pressure on the On/Off switch **6** results in low speed/impact rate. Further pressure on the switch increases the speed/impact rate.

Preselecting the Speed/Impact Frequency (GSB 20-2 RE)

With the thumbwheel for speed preselection **7**, the required speed/impact frequency can be preselected even during operation.

The required speed/impact frequency depends on the material and the working conditions, and can be determined through practical testing.

Working Advice

- ▶ **Apply the power tool to the screw/nut only when it is switched off.** Rotating tool inserts can slip off.

10 | English

After longer periods of working at low speed, allow the machine to cool down by running it for approx. 3 minutes at maximum speed with no load.

For drilling in tiles, set the selector switch **4** to the "Drilling" symbol. Do not switch over to the symbol "Impact Drilling" or work with impact until after drilling through the tile.

Use carbide tipped drill bits when working in concrete, masonry and brick wall.

For drilling in metal, use only perfectly sharpened HSS drill bits (HSS = high-speed steel). The appropriate quality is guaranteed by the Bosch accessories program.

Twist drills from 2.5 – 10 mm can easily be sharpened with the drill bit sharpener (see accessories).

Maintenance and Service

Maintenance and Cleaning

- ▶ **Before any work on the machine itself, pull the mains plug.**
- ▶ **For safe and proper working, always keep the machine and ventilation slots clean.**

If the replacement of the supply cord is necessary, this has to be done by Bosch or an authorized Bosch service agent in order to avoid a safety hazard.

If the machine should fail despite the care taken in manufacturing and testing procedures, repair should be carried out by an after-sales service centre for Bosch power tools.

In all correspondence and spare parts order, please always include the 10-digit article number given on the type plate of the machine.

After-sales Service and Application Service

Our after-sales service responds to your questions concerning maintenance and repair of your product as well as spare parts. Exploded views and information on spare parts can also be found under:

www.bosch-pt.com

Bosch's application service team will gladly answer questions concerning our products and their accessories.

People's Republic of China

China Mainland

Bosch Power Tools (China) Co., Ltd.
567, Bin Kang Road
Bin Jiang District 310052
Hangzhou, P. R. China
Service Hotline: 4008268484
Fax: (0571) 87774502
E-Mail: contact.ptcn@cn.bosch.com
www.bosch-pt.com.cn

HK and Macau Special Administrative Regions

Robert Bosch Hong Kong Co. Ltd.
21st Floor, 625 King's Road
North Point, Hong Kong
Customer Service Hotline: +852 2101 0235
Fax: +852 2590 9762
E-Mail: info@hk.bosch.com
www.bosch-pt.com.hk

Indonesia

PT Robert Bosch
Palma Tower 9th & 10th Floor
Jl. Let. Jend. TB Simatupang II S/06
Jakarta Selatan 12960
Indonesia
Tel.: (021) 3005 6565
Fax: (021) 3005 5801
E-Mail: boschpowertools@id.bosch.com
www.bosch-pt.co.id

Philippines

Robert Bosch, Inc.
28th Floor Fort Legend Towers,
3rd Avenue corner 31st Street,
Fort Bonifacio Global City,
1634 Taguig City, Philippines
Tel.: (02) 8703871
Fax: (02) 8703870
matheus.contiero@ph.bosch.com
www.bosch-pt.com.ph

Bosch Service Center:
9725-27 Kamagong Street
San Antonio Village
Makati City, Philippines
Tel.: (02) 8999091
Fax: (02) 8976432
rosalie.dagdagan@ph.bosch.com

Malaysia

Robert Bosch (S.E.A.) Sdn. Bhd.
No. 8A, Jalan 13/6
G.P.O. Box 10818
46200 Petaling Jaya
Selangor, Malaysia
Tel.: (03) 79663194
Fax: (03) 79583838
cheehoe.on@my.bosch.com
Toll-Free: 1800 880188
www.bosch-pt.com.my

Thailand

Robert Bosch Ltd.
Liberty Square Building
No. 287, 11 Floor
Silom Road, Bangrak
Bangkok 10500
Tel.: 02 6393111, 02 6393118
Fax: 02 2384783
Robert Bosch Ltd., P. O. Box 2054
Bangkok 10501, Thailand
www.bosch.co.th

Bosch Service – Training Centre
La Salle Tower Ground Floor Unit No.2
10/11 La Salle Moo 16
Srinakharin Road
Bangkaew, Bang Plee
Samutprakarn 10540
Thailand
Tel.: 02 7587555
Fax: 02 7587525

Singapore

Robert Bosch (SEA) Pte. Ltd.
11 Bishan Street 21
Singapore 573943
Tel.: 6571 2772
Fax: 6350 5315
leongheng.leow@sg.bosch.com
Toll-Free: 1800 3338333
www.bosch-pt.com.sg

Vietnam

Robert Bosch Vietnam Co. Ltd
10/F, 194 Golden Building
473 Dien Bien Phu Street
Ward 25, Binh Thanh District
84 Ho Chi Minh City
Vietnam
Tel.: (08) 6258 3690 ext. 413
Fax: (08) 6258 3692
hie.u.lagia@vn.bosch.com
www.bosch-pt.com

Australia, New Zealand and Pacific Islands

Robert Bosch Australia Pty. Ltd.
Power Tools
Locked Bag 66
Clayton South VIC 3169
Customer Contact Center
Inside Australia:
Phone: (01300) 307044
Fax: (01300) 307045
Inside New Zealand:
Phone: (0800) 543353
Fax: (0800) 428570
Outside AU and NZ:
Phone: +61 3 95415555
www.bosch.com.au

Disposal

The machine, accessories and packaging should be sorted for environmental-friendly recycling.

Do not dispose of power tools into household waste!

Subject to change without notice.

中文

安全规章

电动工具通用安全警告

警告！ 阅读所有警告和所有说明！不遵照以下警告和说明会导致电击、着火和/或严重伤害。

保存所有警告和说明书以备查阅。

在所有下列的警告中术语“电动工具”指市电驱动（有线）电动工具或电池驱动（无线）电动工具。

工作场地的安全

- ▶ 保持工作场地清洁和明亮。混乱和黑暗的场地会引发事故。
- ▶ 不要在易爆环境，如有易燃液体、气体或粉尘的环境下操作电动工具。电动工具产生的火花会点燃粉尘或气体。
- ▶ 让儿童和旁观者离开后操作电动工具。注意力不集中会使操作者失去对工具的控制。

电气安全

- ▶ 电动工具插头必须与插座相配。绝不能以任何方式改装插头。需接地的电动工具不能使用任何转换插头。未经改装的插头和相配的插座将减少电击危险。
- ▶ 避免人体接触接地表面，如管道、散热片和冰箱。如果你身体接地会增加电击危险。
- ▶ 不得将电动工具暴露在雨中或潮湿环境中。水进入电动工具将增加电击危险。
- ▶ 不得滥用电线。绝不能用电线搬运、拉动电动工具或拔出其插头。使电线远离热源、油、锐边或运动部件。受损或缠绕的软线会增加电击危险。
- ▶ 当在户外使用电动工具时，使用适合户外使用的外接软线。适合户外使用的软线将减少电击危险。
- ▶ 如果在潮湿环境下操作电动工具是不可避免的，应使用剩余电流动作保护器（RCD）。使用 RCD 可减少电击危险。

人身安全

- ▶ 保持警觉，当操作电动工具时关注所从事的操作并保持清醒。当你感到疲倦，或在有药物、酒精或治疗反应时，不要操作电动工具。在操作电动工具时瞬间的疏忽会导致严重人身伤害。
- ▶ 使用个人防护装置。始终佩戴护目镜。安全装置，诸如适当条件下使用防尘面具、防滑安全鞋、安全帽、听力防护等装置能减少人身伤害。
- ▶ 防止意外起动。确保开关在连接电源和/或电池盒、拿起或搬运工具时处于关断位置。手指放在已

12 | 中文

接通电源的开关上或开关处于接通时插入插头可能会导致危险。

- ▶ **在电动工具接通之前，拿掉所有调节钥匙或扳手。** 遗留在电动工具旋转零件上的扳手或钥匙会导致人身伤害。
- ▶ **手不要伸展得太长。时刻注意立足点和身体平衡。** 这样在意外情况下能很好地控制电动工具。
- ▶ **着装适当。不要穿宽松衣服或佩戴饰品。让衣服、手套和头发远离运动部件。** 宽松衣服、佩饰或长发可能会卷入运动部件中。
- ▶ **如果提供了与排屑、集尘设备连接用的装置，要确保他们连接完好且使用得当。** 使用这些装置可减少尘屑引起的危险。

电动工具使用和注意事项

- ▶ **不要滥用电动工具，根据用途使用适当的电动工具。** 选用适当设计的电动工具会使你工作更有效、更安全。
- ▶ **如果开关不能接通或关闭工具电源，则不能使用该电动工具。** 不能用开关来控制的电动工具是危险的且必须进行修理。
- ▶ **在进行任何调节、更换附件或贮存电动工具之前，必须从电源上拔掉插头和 / 或使电池盒与工具脱离。** 这种防护性措施将减少工具意外起动的危险。
- ▶ **将闲置不用的电动工具贮存在儿童所及范围之外，并且不要让不熟悉电动工具或对这些说明不了解的人操作电动工具。** 电动工具在未经培训的用户手中是危险的。
- ▶ **保养电动工具。检查运动件是否调整到位或卡住，检查零件破损情况和影响电动工具运行的其他状况。如有损坏，电动工具应在使用前修理好。** 许多事故由维护不良的电动工具引发。
- ▶ **保持切削刀具锋利和清洁。** 保养良好的有锋利切削刃的刀具不易卡住而且容易控制。
- ▶ **按照使用说明书，考虑作业条件和进行的作业来使用电动工具、附件和工具的刀头等。** 将电动工具用于那些与其用途不符的操作可能会导致危险。

维修

- ▶ **将你的电动工具送交专业维修人员，使用同样的备件进行修理。** 这样将确保所维修的电动工具的安全性。

针对电钻的安全规章

- ▶ **使用冲击电钻时要戴好耳罩。** 暴露在噪声中会引起听力损伤。
- ▶ **使用随工具提供的辅助手柄。** 操作失手会引起人身伤害。
- ▶ **当在钻削附件可能触及暗线或其自身软线之处进行操作时，要通过绝缘握持面来握持工具。** 钻削附件

碰到带电导线会使工具外露的金属零件带电从而使操作者受到电击。

- ▶ **使用合适的侦测装置侦察隐藏的电线，或者向当地的相关单位寻求支援。** 接触电线可能引起火灾并让操作者触电。损坏了瓦斯管会引起爆炸。凿穿水管不仅会造成严重的财物损失，也可能导致触电。
- ▶ **如果安装在机器上的工具被夹住了，必须马上关闭电动工具并保持镇静。此时机器会产生极高的反应力矩，并进而造成回击。** 安装在机器上的工具容易被夹住如果：
 - 电动工具超荷了，或者
 - 安装在机器上的工具在工件中歪斜了。
- ▶ **工作时必须用双手握紧电动工具，并且要确保立足稳固。** 使用双手比较能够握稳电动工具。
- ▶ **固定好工件。** 使用固定装置或老虎钳固定工件，会比用手持握工件更牢固。
- ▶ **等待电动工具完全静止后才能够放下机器。** 机器上的工具可能在工作中被夹住，而令您无法控制电动工具。
- ▶ **勿使用电线已经损坏的电动工具。如果电源电线在工作中受损，千万不可触摸损坏的电线，并马上拔出插头。** 损坏的电线会提高使用者触电的危险。

产品和功率描述



阅读所有的警告提示和指示。如未确实遵循警告提示和指示，可能导致电击，火灾并且 / 或其他的严重伤害。

按照规定使用机器

本机器适合在砖块、混凝土和石材上进行冲击钻。另外也可以在木材、金属、陶瓷和塑料上钻孔。配备电子调速装备和正 / 逆转功能的机型，也能够松 / 紧螺丝和攻牙。

插图上的机件

机件的编号和电动工具详解图上的编号一致。

- 1 快速夹头
- 2 前套筒
- 3 后套筒
- 4 " 正常钻 / 冲击钻 " 的转换开关
- 5 起停开关的锁紧键
- 6 起停开关
- 7 设定转速的指拨轮 (GSB 20-2 RE)
- 8 正逆转开关 (GSB 20-2 RE)
- 9 选档开关
- 10 调整深度尺的蝶翼螺丝
- 11 调整辅助手柄的蝶翼螺丝

- 12 辅助手柄（绝缘握柄）*
- 13 深度尺*
- 14 手柄（绝缘握柄）
- 15 螺丝批嘴*
- 16 通用批嘴连杆*

- 17 快速夹头的固定螺丝
- 18 六角扳手**
- 19 开口扳手**

*图表或说明上提到的附件，并不包含在基本的供货范围中。本公司的附件清单中有完整的附件供应项目。

**可以在市面上购得（不包含在供货范围中）。

技术数据

冲击电钻		GSB 20-2 Professional	GSB 20-2 RE Professional
物品代码		0 601 184 2..	0 601 184 6..
额定输入功率	瓦	701	701
输出功率	瓦	380	380
无负载转速			
- 第一档	次 / 分	1000	0 - 1000
- 第二档	次 / 分	3000	0 - 3000
额定转速			
- 第一档	次 / 分	600	0 - 600
- 第二档	次 / 分	2200	0 - 2200
冲击次数	次 / 分	48000	48000
额定扭力			
- 第一档	牛顿米	5.1	2.0
- 第二档	牛顿米	5.1	2.0
主轴颈直径	毫米	43	43
设定转速		-	●
正 / 逆转功能		-	●
最大钻孔直径			
- 混凝土	毫米	20	20
- 钢	毫米	13	13
- 木材	毫米	40	40
夹头的夹紧范围	毫米	1.5 - 13	1.5 - 13
重量符合 EPTA-Procedure 01/2003	公斤	2.1	2.2
绝缘等级		□/II	□/II

本说明书提供的参数是以 230 V 为依据，于低电压地区，此数据有可能不同。

安装

- ▶ 维修电动工具或换装零、配件之前，务必从插座上拔出插头。

辅助手柄（参考插图 A）

- ▶ 操作电动工具时务必使用辅助手柄 12。

您可以根据需要改变辅助手柄 12 的位置，以提高工作安全和增加工作的舒适性。

朝着逆时针的方向拧转调整辅助手柄的蝶翼螺丝 11，把辅助手柄 12 摆动到需要的位置上，接著再顺着时钟的转向拧紧调整辅助手柄的蝶翼螺丝 11。

调整钻深

使用深度尺 13 可以设定需要的钻深 X。

放松调整深度尺的蝶翼螺丝 10，把深度尺装入辅助手柄 12 中。

深度尺 13 上的肋纹必须朝上。

适当调整深度尺，从钻咀尖端到深度尺尖端的距离必须和需要的钻深 X 一致。

再度拧紧调整深度尺的蝶翼螺丝 10。

14 | 中文

更换工具**快速夹头 (参考插图 B)**

握紧快速夹头 1 的后套筒 3, 朝着 ❶ 的方向拧转前套筒 2, 必须拧转至能够装入工具为止。安装好工具。

握牢快速夹头 1 上的后套筒 3, 接著再朝着转向 ❷ 用力地拧转前套筒 2, 必须拧转至不再听见齿轮滑开的摩擦声为止。此时夹头已经自动锁定。

当您在拆卸工具时, 反向拧转前套筒 2, 锁定便自动解除。

起子机的工具 (GSB 20-2 RE) (参考插图 C)

以螺丝批嘴 15 作业时, 一定要使用通用批嘴连杆 16。只能选用能够配合螺丝头的螺丝批嘴。

旋转螺丝时必须把 "正常钻 / 冲击钻" 的转换开关 4 调整到 "正常钻" 的符号上。

更换夹头**取出固定螺丝 (参考插图 D)**

固定螺丝 17 把夹头固定在主轴上, 以防止快速夹头 1 意外地从主轴上脱落。把快速夹头 1 完全打开, 并朝著转向 ❶ 拧转出固定螺丝 17。**注意, 固定螺丝配备了左螺纹。**

如果固定螺丝 17 卡住了, 可以把螺丝起子插入螺丝头中, 并敲击螺丝起子的柄来松动固定螺丝。

拆卸夹头 (参考插图 E)

拆卸快速夹头 1 时必须把内六角扳手 18 固定在快速夹头 1 上。并且把开口扳手 19 (开口 14 毫米) 固定在主轴上的扳手安装位置。把电动工具放在稳固的底座上, 例如工作台。握牢开口扳手 19, 朝著转向 ❶ 拧转内六角扳手 18 便可以放松快速夹头 1。如果快速夹头卡住了, 轻敲内六角扳手 18 的长端便可以放松夹头。从快速夹头上拔出内六角扳手, 接著再拧转取出快速夹头。

安装夹头 (参考插图 F)

以反顺序安装快速夹头。



使用约 30-35 牛顿米的拉紧扭力拧紧夹头。

朝著逆时针的转向把固定螺丝 17 拧入已经打开的快速夹头中。每次都使用新的固定螺丝。螺丝的螺纹上涂抹了粘胶, 如果重复使用粘胶会丧失粘性。

吸锯尘 / 吸锯屑

▶ 含铅的颜料以及某些木材、矿物和金属的加工废尘有害健康。机器操作者或者工地附近的人如果接触、吸入这些废尘, 可能会有过敏反应或者感染呼吸道疾病。

某些尘埃 (例如加工橡木或山毛榉的废尘) 可能致癌, 特别是和处理木材的添加剂 (例如木材的防腐剂等) 结合之后。只有经过专业训练的人才能够加工含石棉的物料。

- 工作场所要保持空气流通。
- 最好佩戴 P2 滤网等级的口罩。

请留心并遵守贵国和加工物料有关的法规。

▶ **避免让工作场所堆积过多的尘垢。** 尘埃容易被点燃。

操作**操作机器**

▶ **注意电源的电压! 电源的电压必须和电动工具铭牌上标示的电压一致。**

改变转向 (GSB 20-2 RE)

▶ **在电动工具完全静止时才可以使用正逆转开关 8。**

使用正逆转开关 8 可以改变机器的转向。如果按住了起停开关 6, 则无法改变转向。

正转: 钻孔或拧入螺丝。把正逆转开关 8 向右推到尽头。

逆转: 拧松或拧出螺丝和螺母。把正逆转开关 8 向左推到尽头。

设定操作模式**正常钻和旋转螺丝**

把转换开关 4 调整到 "正常钻" 的符号上。

**冲击钻**

把转换开关 4 设定在 "冲击钻" 的符号上。

在设定的过程中, 可以明显地感觉到转换开关 4 齿合。机器运作中也可以进行调整。

机械式选档

▶ **当电动工具以缓慢的转速运作时可以启动选档开关 9。如果电动工具停止运转了、完全负荷或正以最高转速运转, 都不可以使用选档开关。**

使用选档开关 9 能够预设 2 个转速范围。

第 I 档:

低转速范围; 适用于钻大的孔时或旋转螺丝时。

第 II 档:

高转速范围; 适用于钻小的孔时。

如果无法将选档开关 9 旋转到尽头, 可以透过钻头稍微转动主轴。

开动 / 关闭

操作 电动工具时先按下电动工具的起停开关 **6**，并持续按着。

按下锁紧键 **5** 即可**锁定**被按住的起停开关 **6**。

放开起停开关 **6** 即可**关闭** 电动工具。如果起停开关被锁紧键 **5** 固定了，先按下起停开关 **6** 并随即将其放开。

调整转速 / 冲击次数 (GSB 20-2 RE)

随著在起停开关 **6** 上施压大小，可以无级式地提高或降低转速 / 冲击次数。

轻按起停开关 **6**，机器以低转速 / 冲击次数运作。增强施加在起停开关上的压力，可以提高机器的转速 / 冲击次数。

设定转速 / 冲击次数 (GSB 20-2 RE)

使用指拨轮 **7** 可以设定需要的转速 / 冲击次数。即使在机器运作中也可以改变转速 / 冲击次数。

正确的转速 / 冲击次数必须视加工物料和工作状况而定，唯有实际操作才能够得到最合适的结果。

有关操作方式的指点

▶ **先关闭电动工具，然后再把工具放置在螺母 / 螺丝上。** 安装在接头上的工具如果仍继续转动，容易从螺丝头上滑开。

在机器以低转速长期运作之后，可让机器在空载的状况下，以最高转速旋转 3 分钟，以加速冷却。

在瓷砖上钻孔时，必须把转换开关 **4** 调整在“正常钻”的符号上。待穿透瓷砖后，再把转换开关调整在“冲击钻”的符号上，并以冲击钻的功能继续作业。

在混凝土、石材和砖墙上钻孔时，必须使用硬金属钻头。

在金属上钻孔时只能使用完好，经过研磨的 HSS 钻头 (HSS = 高效率高速钢)。在博世的附件产品系列中，有符合这个品质等级的产品。

使用钻头研磨器 (参考附件)，可轻易地补磨 2.5-10 毫米的麻花钻头。

维修和服务

维修和清洁

- ▶ **维修电动工具或换装零件之前，务必从插座上拔出插头。**
- ▶ **电动工具和通风间隙都必须保持清洁，这样才能提高工作品质 and 安全性。**

如果必须更换连接线，务必把这项工作交给博世或者经授权的博世电动工具顾客服务执行，以避免危害机器的安全性能。

本公司生产的电动工具都经过严密的品质检验，如果机器仍然发生故障，请将机器交给博世电动工具公司授权的顾客服务处修理。

询问和订购备件时，务必提供机器铭牌上标示的 10 位数字物品代码。

顾客服务处和顾客咨询中心

本公司顾客服务处负责回答有关本公司产品的修理、维护和备件的问题。以下的网页中有爆炸图和备件的资料：

www.bosch-pt.com

博世顾客咨询团队非常乐意为您解答有关本公司产品及附件的问题。

有关保证，维修或更换零件事宜，请向合格的经销商查询。

中国大陆

博世电动工具 (中国) 有限公司

中国 浙江省 杭州市

滨江区滨康路 567 号

邮政编码：310052

免费服务热线：4008268484

传真：(0571) 87774502

电邮：contact.ptcn@cn.bosch.com

www.bosch-pt.com.cn

罗伯特·博世有限公司

香港北角英皇道 625 号 21 楼

客户服务热线：+852 2101 0235

传真：+852 2590 9762

电邮：info@hk.bosch.com

网站：www.bosch-pt.com.hk

制造商地址：

Robert Bosch Power Tools GmbH

罗伯特·博世电动工具有限公司

70538 Stuttgart / GERMANY

70538 斯图加特 / 德国

处理废弃物

必须以符合环保的方式，回收再利用损坏的机器、附件和废弃的包装材料。

不可以把电动工具丢入家庭垃圾中！

保留修改权。

中文

安全規章

電動工具通用安全警告

警告 閱讀所有警告和所有說明。不遵照以下警告和說明會導致電擊、着火和 / 或嚴重傷害。

保存所有警告和說明書以備查閱。

在所有下列的警告中術語 " 電動工具 " 指市電驅動 (有線) 電動工具或電池驅動 (無線) 電動工具。

工作場地的安全

- ▶ 保持工作場地清潔和明亮。混亂和黑暗的場地會引發事故。
- ▶ 不要在易爆環境，如有易燃液體、氣體或粉塵的環境下操作電動工具。電動工具產生的火花會點燃粉塵或氣體。
- ▶ 讓兒童和旁觀者離開後操作電動工具。注意力不集中會使你失去對工具的控制。

電氣安全

- ▶ 電動工具插頭必須與插座相配。絕不能以任何方式改裝插頭。需接地的電動工具不能使用任何轉換插頭。未經改裝的插頭和相配的插座將減少電擊危險。
- ▶ 避免人體接觸接地表面，如管道、散熱片和冰箱。如果你身體接地會增加電擊危險。
- ▶ 不得將電動工具暴露在雨中或潮濕環境中。水進入電動工具將增加電擊危險。
- ▶ 不得濫用電線。絕不能用電線搬運、拉動電動工具或拔出其插頭。使電線遠離熱源、油、銳邊或運動部件。受損或纏繞的軟線會增加電擊危險。
- ▶ 當在戶外使用電動工具時，使用適合戶外使用的外接軟線。適合戶外使用的軟線，將減少電擊危險。
- ▶ 如果在潮濕環境下操作電動工具是不可避免的，應使用剩餘電流動作保護器 (RCD)。使用 RCD 可減小電擊危險。

人身安全

- ▶ 保持警覺，當操作電動工具時關注所從事的操作並保持清醒。當你感到疲倦，或在有藥物、酒精或治療反應時，不要操作電動工具。在操作電動工具時瞬間的疏忽會導致嚴重人身傷害。
- ▶ 使用個人防護裝置。始終佩戴護目鏡。安全裝置，諸如適當條件下使用防塵面具、防滑安全鞋、安全帽、聽力防護等裝置能減少人身傷害。

- ▶ 防止意外起動。確保開關在連接電源和 / 或電池盒、拿起或搬運工具時處於關斷位置。手指放在已接通電源的開關上或開關處於接通時插入插頭可能會導致危險。
- ▶ 在電動工具接通之前，拿掉所有調節鑰匙或扳手。遺留在電動工具旋轉零件上的扳手或鑰匙會導致人身傷害。
- ▶ 手不要伸展得太長。時刻注意立足點和身體平衡。這樣在意外情況下能很好地控制電動工具。
- ▶ 著裝適當。不要穿寬鬆衣服或佩戴飾品。讓你的衣服、手套和頭髮遠離運動部件。寬鬆衣服、飾物或長髮可能會捲入運動部件中。
- ▶ 如果提供了與排屑、集塵設備連接用的裝置，要確保他們連接完好且使用得當。使用這些裝置可減少塵屑引起的危險。

電動工具使用和注意事項

- ▶ 不要濫用電動工具，根據用途使用適當的電動工具。選用適當設計的電動工具會使你工作更有效、更安全。
- ▶ 如果開關不能接通或關斷工具電源，則不能使用該電動工具。不能用開關來控制的電動工具是危險的且必須進行修理。
- ▶ 在進行任何調節、更換附件或貯存電動工具之前，必須從電源上拔掉插頭和 / 或使電池盒與工具脫開。這種防護性措施將減少工具意外起動的危險。
- ▶ 將閒置不用的電動工具貯存在兒童所及範圍之外，並且不要讓不熟悉電動工具或對這些說明不瞭解的人操作電動工具。電動工具在未經過培訓的用戶手中是危險的。
- ▶ 保養電動工具。檢查運動件是否調整到位或卡住，檢查零件破損情況和影響電動工具運行的其他狀況。如有損壞，電動工具應在使用前修理好。許多事故由維護不良的電動工具引發。
- ▶ 保持切削刀具鋒利和清潔。保養良好的有鋒利切削刃的刀具不易卡住而且容易控制。
- ▶ 按照使用說明書，考慮作業條件和進行的作業來使用電動工具、附件和工具的刀頭等。將電動工具用於那些與其用途不符的操作可能會導致危險。

檢修

- ▶ 將你的電動工具送交專業維修人員，必須使用同樣的備件進行更換。這樣將確保所維修的電動工具的安全性。

針對電鑽的安全規章

- ▶ 使用衝擊電鑽時要戴好耳罩。暴露在噪聲中會引起聽力損傷。
- ▶ 如果電動工具提供了輔助手柄便要使用它。操作時失控可能導致傷害。

- ▶ 如果安裝在此裝置上的切割配件可能會在作業期間割到暗藏的電線或自身的電源線，請務必從裝置握把上的絕緣處來握住該裝置。切割配件萬一接觸到帶電導線，可能會連帶使裝置上的金屬部件帶電，進而導致操作者觸電。
- ▶ 使用合適的偵測裝置偵察隱藏的電線，或者向當地的相關單位尋求支援。接觸電線可能引起火災並讓操作者觸電。損壞了瓦斯管會引起爆炸。鑿穿水管不僅會造成嚴重的財物損失，也可能導致觸電。
- ▶ 如果安裝在機器上的工具被夾住了，必須馬上關閉電動工具並保持鎮靜。此時機器會產生極高的反應力矩，並進而造成回擊。安裝在機器上的工具容易被夾住如果：
 - 電動工具超荷了，或者
 - 安裝在機器上的工具在工件中歪斜了。
- ▶ 工作時必須用雙手握緊電動工具，並且要確保立足穩固。使用雙手比較能夠握穩電動工具。
- ▶ 固定好工件。使用固定裝置或老虎鉗固定工件，會比用手持握工件更牢固。
- ▶ 等待電動工具完全靜止後才能夠放下機器。機器上的工具可能在工作中被夾住，而令您無法控制電動工具。
- ▶ 勿使用電線已經損壞的電動工具。如果電源電線在工作中受損，千萬不可觸摸損壞的電線，並馬上拔出插頭。損壞的電線會提高使用者觸電的危險。

產品和功率描述



閱讀所有的警告提示和指示。如未確實遵循警告提示和指示，可能導致電擊、火災並且 / 或其他的嚴重傷害。

按照規定使用機器

本機器適合在磚塊、混凝土和石材上進行沖擊鑽。另外也可以在木材、金屬、陶瓷和塑料上鑽孔。配備電子調速裝備和正 / 逆轉功能的機型，也能夠鬆 / 緊螺絲和攻牙。

插圖上的機件

機件的編號和電動工具詳解圖上的編號一致。

- 1 快速夾頭
- 2 前套筒
- 3 後套筒
- 4 " 正常鑽 / 沖擊鑽 " 的轉換開關
- 5 起停開關的鎖緊鍵
- 6 起停開關
- 7 設定轉速的指撥輪 (GSB 20-2 RE)
- 8 正逆轉開關 (GSB 20-2 RE)
- 9 選檔開關
- 10 調整深度尺的蝶翼螺絲
- 11 調整輔助手柄的蝶翼螺絲
- 12 輔助手柄 (絕緣握柄) *
- 13 深度尺 *
- 14 手柄 (絕緣握柄)
- 15 螺絲批嘴 *
- 16 通用批嘴連桿 *
- 17 快速夾頭的固定螺絲
- 18 六角扳手 **
- 19 開口扳手 **

*圖表或說明上提到的附件，並不包含在基本的供貨範圍中。本公司的附件清單中有完整的附件供應項目。

**可以在市面上購得 (不包含在供貨範圍中)。

技術性數據

沖擊電鑽	GSB 20-2	
	Professional	GSB 20-2 RE Professional
物品代碼	0 601 184 2..	0 601 184 6..
額定輸入功率	701 瓦	701
輸出功率	380 瓦	380
無負載轉速		
- 第一檔	次 / 分	1000
- 第二檔	次 / 分	3000
額定轉速		
- 第一檔	次 / 分	600
- 第二檔	次 / 分	2200
沖擊次數	次 / 分	48000

本說明書提供的參數是以 230 伏特為依據，於低電壓地區，此數據有可能不同。

18 | 中文

沖擊電鑽		GSB 20-2	GSB 20-2 RE
		Professional	Professional
額定扭力			
- 第一檔	牛頓米	5.1	2.0
- 第二檔	牛頓米	5.1	2.0
主軸頭直徑	毫米	43	43
設定轉速		-	●
正 / 逆轉功能		-	●
最大鑽孔直徑			
- 混凝土	毫米	20	20
- 鋼	毫米	13	13
- 木材	毫米	40	40
夾頭的夾緊範圍	毫米	1.5 - 13	1.5 - 13
重量符合 EPTA-Procedure 01/2003	公斤	2.1	2.2
絕緣等級		□/II	□/II

本說明書提供的參數是以 230 伏特為依據，於低電壓地區，此數據有可能不同。

安裝

- ▶ 維修電動工具或換裝零、配件之前，務必從插座上拔出插頭。

輔助手柄（參考插圖 A）

- ▶ 操作電動工具時務必使用輔助手柄 12。

您可以根據需要改變輔助手柄 12 的位置，以提高工作安全和增加工作的舒適性。

朝著逆時鐘的方向擰轉調整輔助手柄的蝶翼螺絲 11，把輔助手柄 12 擺動到需要的位置上，接著再順著時鐘的轉向擰緊調整輔助手柄的蝶翼螺絲 11。

調整鑽深

使用深度尺 13 可以設定需要的鑽深 X。

放鬆調整深度尺的蝶翼螺絲 10，把深度尺裝入輔助手柄 12 中。

深度尺 13 上的肋紋必須朝上。

適當調整深度尺，從鑽咀尖端到深度尺尖端的距離必須和需要的鑽深 X 一致。

再度擰緊調整深度尺的蝶翼螺絲 10。

更換工具

快速夾頭（參考插圖 B）

握緊快速夾頭 1 的後套筒 3，朝著 ① 的方向擰轉前套筒 2，必須擰轉至能夠裝入工具為止。安裝好工具。

握牢快速夾頭 1 上的後套筒 3，接著再朝著轉向 ② 用力地擰轉前套筒 2，必須擰轉至不再聽見齒輪滑開的磨擦聲為止。此時夾頭已經自動鎖定。

當您在拆卸工具時，反向擰轉前套筒 2，鎖定便自動解除。

起子機的工具 (GSB 20-2 RE)（參考插圖 C）

以螺絲批嘴 15 作業時，一定要使用通用批嘴連桿 16。只能選用能夠配合螺絲頭的螺絲批嘴。

旋轉螺絲時必須把“正常鑽 / 沖擊鑽”的轉換開關 4 調整到“正常鑽”的符號上。

更換夾頭

取出固定螺絲（參考插圖 D）

固定螺絲 17 把夾頭固定在主軸上，以防止快速夾頭 1 意外地從主軸上脫落。把快速夾頭 1 完全打開，並朝著轉向 ① 擰轉出固定螺絲 17。**注意，固定螺絲配備了左螺紋。**

如果固定螺絲 17 卡住了，可以把螺絲起子插入螺絲頭中，並敲擊螺絲起子的柄來鬆動固定螺絲。

拆卸夾頭（參考插圖 E）

拆卸快速夾頭 1 時必須把內六角扳手 18 固定在快速夾頭 1 上。並且把開口扳手 19（開口 14 毫米）固定在主軸上的扳手安裝位置。把電動工具放在穩固的底座上，例如工作台。握牢開口扳手 19，朝著轉向 ① 擰轉內六角扳手 18 便可以放鬆快速夾頭 1。如果快速夾頭卡住了，輕敲內六角扳手 18 的長端便可以放鬆夾頭。從快速夾頭上拔出內六角扳手，接著再擰轉取出快速夾頭。

安裝夾頭（參考插圖 F）

以反順序安裝快速夾頭。



使用約 30-35 牛頓米的拉緊扭力擰緊夾頭。

朝著逆時鐘的轉向把固定螺絲 17 擰入已經打開的快速夾頭中。每次都使用新的固定螺絲。螺絲的螺紋上塗抹了粘膠，如果重複使用粘膠會喪失粘性。

吸鋸塵 / 吸鋸屑

▶ 含鉛的顏料以及某些木材、礦物和金屬的加工廢塵有害健康。機器操作者或者工地附近的人如果接觸、吸入這些廢塵，可能有過敏反應或者感染呼吸道疾病。

某些塵埃（例如加工橡木或山毛櫸的廢塵）可能致癌，特別是和處理木材的添加劑（例如木材的防腐劑等）結合之後。只有經過專業訓練的人才能夠加工含石棉的物料。

- 工作場所要保持空氣流通。
- 最好佩戴 P2 濾網等級的口罩。

請留心並遵守貴國和加工物料有關的法規。

▶ 避免讓工作場所堆積過多的塵垢。塵埃容易被點燃。

操作

操作機器

▶ 注意電源的電壓！電源的電壓必須和電動工具銘牌上標示的電壓一致。

改變轉向 (GSB 20-2 RE)

▶ 在電動工具完全靜止時才可以使用正逆轉開關 8。

使用正逆轉開關 8 可以改變機器的轉向。如果按住了起停開關 6，則無法改變轉向。

正轉：鑽孔或擰入螺絲。把正逆轉開關 8 向右推到盡頭。

逆轉：擰松或擰出螺絲和螺母。把正逆轉開關 8 向左推到盡頭。

設定操作模式



正常鑽和旋轉螺絲

把轉換開關 4 調整到“正常鑽”的符號上。



沖擊鑽

把轉換開關 4 設定在“沖擊鑽”的符號上。

在設定的過程中，可以明顯地感覺到轉換開關 4 啮合。機器運作中也可以進行調整。

機械式選檔

▶ 當電動工具以緩慢的轉速運作時可以啟動選檔開關 9。如果電動工具停止運轉了、完全負荷或正以最高轉速運轉，都不可以使用選檔開關。

使用選檔開關 9 能夠預設 2 個轉速範圍。

第 I 檔：

低轉速範圍；適用於鑽大的孔時或旋轉螺絲時。

第 II 檔：

高轉速範圍；適用於鑽小的孔時。

如果無法將選檔開關 9 旋轉到盡頭，可以透過鑽頭稍微轉動主軸。

開動 / 關閉

操作電動工具時先按下電動工具的起停開關 6，並持續按著。

按下鎖緊鍵 5 即可**鎖定**被按住的起停開關 6。

放開起停開關 6 即可**關閉**電動工具。如果起停開關被鎖緊鍵 5 固定了，先按下起停開關 6 並隨即將其放開。

調整轉速 / 沖擊次數 (GSB 20-2 RE)

隨著在起停開關 6 上施壓大小，可以無級式地提高或降低轉速 / 沖擊次數。

輕按起停開關 6，機器以低轉速 / 沖擊次數運作。增強施加在起停開關上的壓力，可以提高機器的轉速 / 沖擊次數。

設定轉速 / 沖擊次數 (GSB 20-2 RE)

使用指撥輪 7，可以設定需要的轉速 / 沖擊次數。即使在機器運作中也可以改變轉速 / 沖擊次數。

正確的轉速 / 沖擊次數必須視加工物料和工作狀況而定，唯有實際操作才能夠得到最合適的結果。

有關操作方式的指點

▶ **先關閉電動工具，然後再把工具放置在螺母 / 螺絲上。**安裝在接頭上的工具如果仍繼續轉動，容易從螺絲頭上滑開。

在機器以低轉速長期運作之後，可讓機器在空載的狀況下，以最高轉速旋轉 3 分鐘，以加速冷卻。

在瓷磚上鑽孔時，必須把轉換開關 4 調整在“正常鑽”的符號上。待穿透瓷磚後，再把轉換開關調整在“沖擊鑽”的符號上，並以沖擊鑽的功能繼續作業。

在混凝土、石材和磚牆上鑽孔時，必須使用硬金屬鑽頭。

在金屬上鑽孔時只能使用完好，經過研磨的 HSS 鑽頭 (HSS = 高效率高速鋼)。在博世的附件產品系列中，有符合這個品質等級的產品。

使用鑽頭研磨器 (參考附件)，可輕易地補磨 2.5-10 毫米的麻花鑽頭。

維修和服務

維修和清潔

▶ **維修電動工具或換裝零、配件之前，務必從插座上拔出插頭。**

▶ **電動工具和通風間隙都必須保持清潔，這樣才能夠提高工作品質和安全性。**

如果必須更換連接線，務必把這項工作交給博世或者經授權的博世電動工具顧客服務執行，以避免危害機器的安全性能。

20 | 한국어

本公司生產的電動工具都經過嚴密的品質檢驗，如果機器仍然發生故障，請將機器交給博世電動工具公司授權的顧客服務處修理。

詢問和訂購備件時，務必提供機器銘牌上標示的 10 位數物品代碼。

顧客服務處和顧客諮詢中心

本公司顧客服務處負責回答有關本公司產品的修理、維護和備件的問題。以下的網頁中有爆炸圖和備件的資料：

www.bosch-pt.com

博世顧客諮詢團隊非常樂意為您解答有關本公司產品及附件的問題。

台灣

台灣羅伯特博世股份有限公司

建國北路一段 90 號 6 樓

台北市 10491

電話：(02) 2515 5388

傳真：(02) 2516 1176

www.bosch-pt.com.tw

製造商地址：

Robert Bosch Power Tools GmbH

羅伯特·博世電動工具有限公司

70538 Stuttgart / GERMANY

70538 斯圖加特 / 德國

處理廢棄物

必須以符合環保的方式，回收再利用損壞的機器、附件和廢棄的包裝材料。

不可以把電動工具丟入家庭垃圾中。

保留修改權。**한국어****안전 수칙****전동공구용 일반 안전수칙**

⚠ 경고 모든 안전수칙과 지시 사항을 상세히 읽고 지켜야 합니다. 다음의 안전수칙과 지시 사항을 준수하지 않으면 화재 위험이 있으며 감전 혹은 중상을 입을 수 있습니다.

앞으로의 참고를 위해 이 안전수칙과 사용 설명서를 잘 보관하십시오.

다음에서 사용되는 “전동공구” 라는 개념은 전원에 연결하여 사용하는 전동 기기 (전선이 있는) 나 배터리를 사용하는 전동 기기 (전선이 없는) 를 의미합니다.

작업장 안전

- ▶ 작업장을 항상 깨끗이 하고 조명을 밝게 하십시오. 작업장 환경이 어수선하거나 어두우면 사고를 초래할 수 있습니다.
- ▶ 가연성 유체, 가스 또는 분진이 있어 폭발 위험이 있는 환경에서 전동공구를 사용하지 마십시오. 전동공구는 분진이나 증기에 점화하는 스파크를 일으킬 수 있습니다.
- ▶ 전동공구를 사용할 때 구경꾼이나 어린이 혹은 다른 사람이 작업장에 접근하지 못하게 하십시오. 다른 사람이 주의를 산만하게 하면 기기에 대한 통제를 잃기 쉽습니다.

전기에 관한 안전

- ▶ 전동공구의 전원 플러그가 전원 콘센트에 잘 맞아야 합니다. 플러그를 조금이라도 변경시켜서는 안됩니다. 접지된 전동공구를 사용할 때 어댑터 플러그를 사용하지 마십시오. 변형되지 않은 플러그와 잘 맞는 콘센트를 사용하면 감전의 위험을 감소할 수 있습니다.
- ▶ 파이프 관, 라디에이터, 레인지, 냉장고와 같은 접지 표면에 몸이 닿지 않도록 하십시오. 몸에 닿을 경우 감전될 위험이 높습니다.
- ▶ 전동공구를 비에 맞지 않게 하고 습기 있는 곳에 두지 마십시오. 전동공구에 물이 들어가면 감전될 위험이 높습니다.
- ▶ 전원 코드를 잡고 전동공구를 운반하거나 걸어 놓아서는 안되며, 콘센트에서 전원 플러그를 뽑을 때 전원 코드를 잡아 당겨서는 절대로 안됩니다. 전원 코드가 열과 오일에 접촉하는 것을 피하고, 날카로운 모서리나 기기의 가동 부위에 닿지 않도록 주의하십시오. 손상되거나 영긴 전원 코드는 감전을 유발할 수 있습니다.
- ▶ 실외에서 전동공구로 작업할 때는 실외용으로 적당한 연장 전원 코드만을 사용하십시오. 실외용 연장 전원 코드를 사용하면 감전의 위험을 줄일 수 있습니다.

- ▶ **전동공구를 습기 찬 곳에서 사용해야 할 경우에는 누전 차단기를 사용하십시오.** 누전 차단기를 사용하면 감전 위험을 줄일 수 있습니다.

사용자 안전

- ▶ **신중하게 작업하십시오.** 작업을 할 때 주의를 하며, 전동공구를 사용할 때 경솔하게 행동하지 마십시오. 피로한 상태이거나 약을 복용 및 음주한 후에는 전동공구를 사용하지 마십시오. 전동공구를 사용할 때 잠시라도 주의를 산만해지면 중상을 입을 수 있습니다.
- ▶ **작업자 안전을 위한 장치를 사용하십시오.** 항상 보호 안경을 착용하십시오. 전동공구의 종류와 사용에 따라 먼지 보호 마스크, 미끄러지지 않는 안전한 신발, 안전모 또는 귀마개 등의 안전한 복장을 하면 상해의 위험을 줄일 수 있습니다.
- ▶ **실수로 기기가 작동되지 않도록 주의하십시오.** 전동공구를 전원에 연결하거나 배터리를 끼우기 전에, 혹은 기기를 틀거나 운반하기 전에, 전원 스위치가 꺼져 있는지 다시 확인하십시오. 전동공구를 운반할 때 전원 스위치에 손가락을 대거나 전원 스위치가 켜진 상태에서 전원을 연결하면 사고 위험이 높습니다.
- ▶ **전동공구를 사용하기 전에 조절하는 톨이나 나사 키 등을 빼 놓으십시오.** 회전하는 부위에 있는 톨이나 나사 키로 인해 상처를 입을 수 있습니다.
- ▶ **자신을 과신하지 마십시오.** 불안정한 자세를 피하고 항상 평형을 이룬 상태로 작업하십시오. 안정된 자세와 평형한 상태로 작업해야만이 의외의 상황에서도 전동공구를 안전하게 사용할 수 있습니다.
- ▶ **알맞은 작업복을 입으십시오.** 헐렁한 복장을 하거나 장신구를 착용하지 마십시오. 머리카락 또는 장갑이 가동하는 기기 부위에 가까이 닿지 않도록 주의하십시오. 헐렁한 복장, 장신구 혹은 긴 머리는 가동 부위에 말려 사고를 초래할 수 있습니다.
- ▶ **분진 추출장치나 수거장치의 조립이 가능한 경우, 이 장치가 연결되어 있는지, 제대로 작동이 되는지 확인하십시오.** 이러한 분진 추출장치를 사용하면 분진으로 인한 사고 위험을 줄일 수 있습니다.

전동공구의 올바른 사용과 취급

- ▶ **기기를 과부하 상태에서 사용하지 마십시오.** 작업할 때 이에 적당한 전동공구를 사용하십시오. 알맞은 전동공구를 사용하면 지정된 성능 한도 내에서 더 효율적으로 안전하게 작업할 수 있습니다.
- ▶ **전원 스위치가 고장 난 전동공구를 사용하지 마십시오.** 전원 스위치가 작동되지 않는 전동공구는 위험하므로, 반드시 수리를 해야 합니다.
- ▶ **기기에 세팅을 하거나 액세서리 부품을 교환하거나 혹은 기기를 보관할 때, 항상 전원 콘센트에서 플러그를 미리 빼어 놓으십시오.** 이러한 조치는 실수로 전동공구가 작동하게 되는 것을 예방합니다.
- ▶ **사용하지 않는 전동공구는 어린이 손이 닿지 않는 곳에 보관하고, 전동공구 사용에 익숙지 않거나 이 사용 설명서를 읽지 않은 사람은 기기를 사용해서는 안**

됩니다. 경험이 없는 사람이 전동공구를 사용하면 위험합니다.

- ▶ **전동공구를 조심스럽게 관리하십시오.** 가동 부위가 하자 없이 정상적인 기능을 하는지, 걸리는 부위가 있는지, 혹은 전동공구의 기능에 중요한 부품이 손상되지 않았는지 확인하십시오. 손상된 기기의 부품은 전동공구를 다시 사용하기 전에 반드시 수리를 맡기십시오. 제대로 관리하지 않은 전동공구의 경우 많은 사고를 유발합니다.
- ▶ **절단 공구를 날카롭고 깨끗하게 관리하십시오.** 날카로운 절단면이 있고 잘 관리된 절단공구는 걸리는 경우가 드물고 조절하기도 쉽습니다.
- ▶ **전동공구, 액세서리, 장착하는 공구 등을 사용할 때, 이 지시 사항과 특별히 기종 별로 나와있는 사용 방법을 준수하십시오.** 이때 작업 조건과 실시하려는 작업 내용을 고려하십시오. 원래 사용 분야가 아닌 다른 작업에 전동공구를 사용할 경우 위험한 상황을 초래할 수 있습니다.

서비스

- ▶ **전동공구 수리는 반드시 전문 인력에게 맡기고, 수리 정비 시 보쉬 순정 부품만을 사용하십시오.** 그렇게 함으로써 기기의 안전성을 오래 유지할 수 있습니다.

드릴 머신용 안전 수칙

- ▶ **임팩트 드릴작업을 할 때 귀마개를 착용하십시오.** 소음으로 인해 청각을 상실할 수 있습니다.
- ▶ **보조 손잡이가 전동공구와 함께 공급되는 경우 이를 사용하십시오.** 통제를 잃게 되면 상해를 입을 수 있습니다.
- ▶ **작업 시, 보이지 않는 전선이나 기기 자체의 코드에 닿을 위험이 있으면 전동공구 손잡이의 절연된 부분을 잡으십시오.** 전류가 흐르는 전선에 기기가 닿을 경우 기기 금속 부위에도 전류가 흘러 감전 위험이 있습니다.
- ▶ **보이지 않는 배관 설비를 확인하려면 적당한 탐지기를 사용하거나 담당 에너지 공급회사에 문의하십시오.** 전선에 접하게 되면 화재나 전기 충격을 야기할 수 있습니다. 가스관을 손상시키면 폭발 위험이 있습니다. 수도관을 파손하게 되면 재산 피해를 유발하거나 전기 충격을 야기할 수 있습니다.
- ▶ **툴 홀더에 끼워진 비트가 물리면 즉시 전동공구 스위치를 끄십시오.** 반동을 유발할 수 있는 강한 반동력이 생길 수 있습니다. 톨 홀더에 끼워진 비트는 다음의 경우 물립니다:
 - 전동공구가 과부하된 상태이거나
 - 작업하려는 소재에 걸렸을 경우 물립니다.
- ▶ **전동공구를 두 손으로 꼭 잡고 안전한 자세로 작업하십시오.** 전동공구는 두 손으로 사용하면 더 안전합니다.
- ▶ **작업물을 잘 고정하십시오.** 고정장치나 기계 바이스에 끼워서 작업하면 손으로 잡는 것보다 더 안전합니다.

22 | 한국어

- ▶ 전동공구를 내려놓기 전에 기기가 완전히 멈추었는지를 확인하십시오. 벨트가 걸려 전동공구에 대한 통제가 어려워질 수 있습니다.
- ▶ 절대로 전원 코드가 손상된 전동공구를 사용하지 마십시오. 작업하다가 전원 코드가 손상된 경우 손상된 코드를 만지지 말고 바로 플러그를 빼십시오. 손상된 전원 코드는 감전을 일으킬 위험이 높습니다.

제품 및 성능 소개



모든 안전수칙과 지시 사항을 상세히 읽고 지켜야 합니다. 다음의 안전수칙과 지시 사항을 준수하지 않으면 화재 위험이 있으며 감전 혹은 중상을 입을 수 있습니다.

규정에 따른 사용

본 기기는 벽돌 콘크리트 석재에 임팩트 드릴작업, 목재 금속 플라스틱에 드릴작업을 하는 데 사용해야 합니다. 전자 제어 장치와 회전방향 선택 장치가 있는 모델은 스크류작업이나 나사산 절삭작업(태핑작업)도 가능합니다.

제품의 주요 명칭

제품의 주요 명칭에 표기되어 있는 번호는 기기 그림이 나와있는 면을 참고하십시오.

- 1 키레스 척
- 2 슬리브 앞부분
- 3 슬리브 뒷부분
- 4 “드릴 / 임팩트 드릴작업” 선택 스위치
- 5 전원 스위치 잠금 버튼
- 6 전원 스위치
- 7 속도 조절 다이얼(GSB 20-2 RE)
- 8 회전방향 선택 스위치(GSB 20-2 RE)
- 9 기어 선택 스위치
- 10 깊이 조절자 조절용 날개 나사
- 11 보조 손잡이 조절용 날개 나사
- 12 보조 손잡이(절연된 손잡이 부위)*
- 13 깊이 조절자*
- 14 손잡이(절연된 손잡이 부위)
- 15 스크류 드라이버 비트*
- 16 유니버설 비트 홀더*
- 17 키레스 척용 안전 나사
- 18 육각 키**
- 19 양구 스페너**

*도면이나 설명서에 나와있는 액세서리는 표준 공급부품에 속하지 않습니다. 전체 액세서리는 저회 액세서리 프로그램을 참고하십시오.

**시중에서 구매 가능(표준 공급 부품에 포함되지 않음)

제품 사양

임팩트 드릴		GSB 20-2 Professional	GSB 20-2 RE Professional
제품 번호		0 601 184 2..	0 601 184 6..
소비 전력	W	701	701
출력	W	380	380
무부하 속도			
- 1 단	rpm	1000	0 - 1000
- 2 단	rpm	3000	0 - 3000
정격 속도			
- 1 단	rpm	600	0 - 600
- 2 단	rpm	2200	0 - 2200
타격률	min ⁻¹	48000	48000
정격 토크			
- 1 단	Nm	5.1	2.0
- 2 단	Nm	5.1	2.0
스핀들 칼라 직경	mm	43	43
속도 설정		-	●
역회전 기능		-	●

자료는 정격 전압 [U] 230 V를 기준으로 한 것입니다. 전압이 낮거나 각국의 특수한 모델에 따라 달라질 수 있습니다.

임팩트 드릴		GSB 20-2 Professional	GSB 20-2 RE Professional
드릴 직경, 최대			
- 콘크리트	mm	20	20
- 철재	mm	13	13
- 목재	mm	40	40
드릴 척 클램핑 범위	mm	1,5-13	1,5-13
EPTA 규정 01/2003 에 따른 중량	kg	2,1	2,2
안전 등급		□/II	□/II

자료는 정격 전압 [U] 230 V 를 기준으로 한 것입니다. 전압이 낮거나 각국의 특수한 모델에 따라 달라질 수 있습니다.

조립

▶ 전동공구를 보수 정비하기 전에 반드시 콘센트에서 전원 플러그를 빼십시오.

보조 손잡이 (그림 A 참조)

▶ 반드시 보조 손잡이 12 를 장착하여 전동공구를 사용하십시오.

보조 손잡이 12 는 안전하고 피로가 적은 자세로 작업할 수 있도록 모든 위치로 움직여 조립할 수 있습니다.

보조 손잡이 조절용 날개 나사를 11 을 시계 반대 방향으로 돌리고 보조 손잡이 12 를 원하는 위치로 움직입니다. 그리고 나서 날개 나사 11 을 시계 방향으로 돌려 다시 조입니다.

천공 깊이 조절하기

원하는 천공 깊이 X 는 깊이 조절자 13 으로 조절할 수 있습니다.

깊이 조절자 조절용 날개 나사 10 을 풀고 깊이 조절자를 보조 손잡이 12 안으로 끼웁니다.

깊이 조절자 13 에 있는 우툴두툴한 표면이 항상 위쪽으로 향해 있어야 합니다.

드릴 비트의 끝과 깊이 조절자의 끝 부위의 간격이 원하는 천공 깊이 X 가 될 때까지 깊이 조절자를 잡아 당깁니다.

깊이 조절자 조절용 날개 나사 10 을 다시 팍 조입니다.

액세서리의 교환

키레스 척 (그림 B 참조)

키레스 척 1 의 슬리브 뒷부분 3 을 팍 잡고 비트가 끼워질 정도까지 슬리브 앞부분 2 를 ① 회전 방향으로 돌립니다. 비트를 끼우십시오.

키레스 척 1 의 슬리브 뒷부분 3 을 팍 잡고 슬리브 앞부분 2 를 더 이상 걸리는 소리가 나지 않을 때까지 손으로 힘껏 ② 방향으로 돌리십시오. 이렇게 하면 드릴 척이 자동으로 잠기게 됩니다.

비트를 탈착하기 위해 슬리브 앞부분 2 를 반대 방향으로 돌리면 잠금 상태가 다시 해제됩니다.

스크류 드라이버 비트 (GSB 20-2 RE) (그림 C 참조)

스크류 드라이버 비트 15 로 작업할 때, 반드시 유니버설 비트 홀더 16 을 사용해야 합니다. 나사못 머리에 맞는 스크류 드라이버 비트만을 사용하십시오.

스크류작업을 하려면 “드릴 / 임팩트 드릴작업” 선택 스위치 4 가 반드시 “드릴작업” 위치에 있어야 합니다.

드릴 척 교환하기

안전 나사 빼기 (그림 D 참조)

키레스 척 1 은 실수로 드릴 스펀들이 풀어지지 않도록 안전 나사 17 로 고정되어 있습니다. 키레스 척 1 을 끝까지 열고 안전 나사 17 을 ① 방향으로 돌려 빼십시오. 안전 나사가 원나사라는 것에 주의하십시오.

안전 나사 17 이 팍 끼워져 있으면 드라이버를 나사의 헤드에 대고 드라이버 손잡이를 한번 두드려 안전 나사를 풀어 줍니다.

드릴 척 분해하기 (그림 E 참조)

키레스 척 1 을 탈착하려면 육각 키 18 을 키레스 척 1 안으로 끼우고 양구 스페너 19 (SW 14) 를 구동 스펀들의 키 대는 면에 대십시오. 전동공구를 작업대와 같은 단단한 바닥에 놓으십시오. 양구 스페너 19 를 팍 잡고 육각 키 18 을 ① 방향으로 돌려 키레스 척 1 을 풀어 줍니다. 팍 끼워진 키레스 척은 육각 키 18 의 긴 쪽을 가볍게 두드려 주면 풀어 집니다. 육각 키를 키레스 척에서 뺀 후 키레스 척을 돌려 완전히 빼십시오.

드릴 척 조립하기 (그림 F 참조)

키레스 척의 조립은 반대 순서로 하면 됩니다.



드릴 척은 약 30-35 Nm 의 고정 토크로 조여야 합니다.

안전 나사 17 을 시계 반대 방향으로 돌리면서 열려 있는 키레스 척 안으로 끼웁니다. 나사산에 있는 안전 접착제는 여러번 사용하면 효과가 없어지므로 안전 나사를 매번 새로운 것으로 교환하여 사용해야 합니다.

24 | 한국어

분진 및 톱밥 추출장치

▶ 납 성분을 포함한 페인트나 몇몇 나무 종류, 또는 광물 성분 그리고 철과 같은 재료의 분진은 건강을 해칠 수 있습니다. 이 분진을 만지거나 호흡할 경우, 사용자나 주변 사람들은 알레르기 반응이나 호흡기 장애를 일으킬 수 있습니다. 딱딱나무나 너도밤나무와 같은 특정한 분진은 암을 유발시키며, 특히 목재 처리용으로 사용되는 부가 원료 (크로마트, 목재 보호제)와 혼합되면 암을 유발시키게 됩니다. 석면 성분을 포함한 재료는 오직 전문가가 작업을 해야 합니다.

- 작업장의 통풍이 잘 되도록 하십시오.
- 필터등급 P2가 장착된 호흡 마스크를 사용하십시오.

작업용 재료에 관해 국가가 지정한 규정을 고려하십시오.

▶ **작업장에 분진이 쌓이지 않도록 하십시오.** 분진이 쉽게 발화할 수 있습니다.

작동

기계 시동

▶ **공공 배전 전압에 주의!** 공급되는 전원의 전압은 전동공구의 명판에 표기된 전압과 동일해야 합니다.

회전방향 설정하기 (GSB 20-2 RE)

▶ **회전방향 선택 스위치 8은 전동공구가 정지된 상태에서만 사용해야 합니다.**

회전방향 선택 스위치 8로 기기의 회전 방향을 선택할 수 있습니다. 그러나 전원 스위치 6이 눌러진 상태에서는 작동이 불가능합니다.

우회전: 드릴작업과 나사못을 조이는 작업을 하려면 회전방향 선택 스위치 8을 오른쪽으로 끝까지 누릅니다.

좌회전: 나사못이나 너트를 풀거나 느슨하게 하는 작업을 하려면 회전방향 선택 스위치 8을 왼쪽으로 끝까지 누릅니다.

작동 모드 설정하기



드릴작업 및 스크류작업

선택 스위치 4를 “드릴작업” 표시에 맞추십시오.



임팩트 드릴작업

선택 스위치 4를 “임팩트 드릴작업” 표시에 맞춥니다.

선택 스위치 4는 걸리는 소리가 확실하며, 기기가 작동 중에도 선택이 가능합니다.

기계식 기어 선택

▶ **기어 선택 스위치 9는 전동공구가 천천히 가동하는 상태에서 작동할 수 있습니다. 정지 상태에서나 과부하 상태 혹은 최대 속도의 경우 사용해서는 안됩니다.**

기어 선택 스위치 9로 속도를 두 단계 중에서 선택할 수 있습니다.

I 단 기어:

저속 범위; 드릴 직경이 넓은 작업을 하거나 스크류작업을 할 경우.

II 단 기어:

고속 범위; 드릴 직경이 좁은 작업을 할 경우.

기어 선택 스위치 9가 끝까지 움직이지 않으면 드릴 비트로 구동 스피들을 약간 돌리십시오.

전원 스위치 작동

전동공구를 작동하려면 전원 스위치 6을 누르고 누른 상태를 유지하십시오.

전원 스위치 6을 누른 상태로 유지하려면, 잠금 버튼 5를 누르십시오.

전동공구의 스위치를 끄려면 전원 스위치 6을 놓거나 잠금버튼 5로 고정된 경우 전원 스위치 6을 살짝 눌렀다가 다시 놓습니다.

속도 / 타격을 조절하기 (GSB 20-2 RE)

전원 스위치 6에 가하는 힘의 강약에 따라 작동 중에도 전동공구의 속도 / 타격을 무단으로 조절할 수 있습니다.

전원 스위치 6을 살짝 누르면 낮은 속도 / 타격률로 작동합니다. 좀 더 세게 누르면 속도 / 타격률이 증가합니다.

속도 / 타격을 설정하기 (GSB 20-2 RE)

속도 조절 다이얼 7로 원하는 속도 / 타격률을 작동 중에도 선택할 수 있습니다.

필요한 속도 / 타격률은 소재와 작업 조건에 따라 달라지므로 실제 시험을 통해 결정할 수 있습니다.

사용방법

▶ **전동공구의 스위치가 꺼진 상태에서만 나사못에 대십시오.** 회전하는 드릴 비트가 미끄러질 수 있습니다.

낮은 속도로 장기간 연속 작업을 했을 경우, 기기를 약 3분간 무부하 상태에서 최고 속도로 작동시킨 후 식히십시오.

타일에 드릴작업을 하려면 선택 스위치 4를 “드릴작업” 표시에 맞춥니다. 타일에 구멍을 완전히 뚫을 때까지는 스위치를 “임팩트 드릴작업” 표시로 바꾸거나 임팩트작업을 하면 안 됩니다.

콘크리트 석재 벽돌 등에 작업할 때는 경금속 드릴 비트를 사용하십시오.

금속에 드릴작업을 할 때 항상 하자가 없는 날카로운 HSS 드릴 비트 (HSS = 하이 스피드 스틸) 만을 사용하십시오. 보쉬 액세서리 프로그램은 이에 상응하는 품질을 보증합니다.

드릴 비트 연마기 (별매 액세서리) 로 직경이 2.5-10 mm 인 트위스트 드릴 비트를 쉽게 연마할 수 있습니다.

보수 정비 및 서비스

보수 정비 및 유지

- ▶ **전동공구를 보수 정비하기 전에 반드시 콘센트에서 전원 플러그를 빼십시오.**
- ▶ **안전하고 올바른 작동을 위하여 전동공구와 전동공구의 통공구를 항상 깨끗이 하십시오.**

연결 코드를 교환해야 할 경우 안전을 기하기 위해 보쉬사나 보쉬 지정 전동공구 서비스 센터에 맡겨야 합니다.

세심한 제작과 검사에도 불구하고 전동공구가 불량한 경우가 있다면 보쉬 고객 지원본부나 가까운 보쉬 지정 전동공구 서비스 센터에 수리를 의뢰하십시오.

문의 사항이 있거나 스페어 부품을 주문할 때 반드시 전동공구의 타입 표시판에 적힌 10 자리의 제품 번호를 알려 주십시오.

보쉬 AS 및 고객 상담

보쉬는 귀하의 제품 및 수리에 관한 문의를 받고 있습니다.

AS 센터 정보 및 제품에 대한 고객 상담은 하기 고객 콜센터 및 이메일 상담을 이용해주시기 바랍니다.

고객 콜센터 : 080-955-0909

이메일 상담 :

Bosch-pt.hotline@kr.bosch.com

한국로버트보쉬 (주)

경기도 용인시 기흥구 보정동 298 번지

www.bosch-pt.co.kr

처리

기기와 액세서리 및 포장 등은 친환경적인 방법으로 재활용할 수 있도록 분류하십시오.

전동공구를 가정용 쓰레기로 처리하지 마십시오!

위 사항은 사전 예고 없이 변경될 수도 있습니다.

ภาษาไทย

กฎระเบียบเพื่อความปลอดภัย

คำเตือนทั่วไปเพื่อความปลอดภัยในการใช้เครื่องมือไฟฟ้า

คำเตือน ต้องอ่านคำเตือนเพื่อความปลอดภัยและคำสั่งทั้งหมด การไม่ปฏิบัติตามคำเตือนและคำสั่งอาจเป็นสาเหตุให้ถูกไฟฟ้าดูด เกิดไฟไหม้ และ/หรือได้รับบาดเจ็บอย่างร้ายแรง

เก็บรักษาคำเตือนและคำสั่งทั้งหมดสำหรับเปิดอ่านในภายหลัง

คำว่า "เครื่องมือไฟฟ้า" ในคำเตือนหมายถึง เครื่องมือไฟฟ้าของท่านที่ทำงานด้วยพลังงานไฟฟ้าที่ต่อจากเต้าเสียบ (มีสายไฟฟ้า) และเครื่องมือไฟฟ้าที่ทำงานด้วยพลังงานไฟฟ้าจากแบตเตอรี่ (ไร้สาย)

ความปลอดภัยในสถานที่ทำงาน

- ▶ **รักษาสถานที่ทำงานให้สะอาดและมีไฟส่องสว่าง** สถานที่ที่มีมืดหรือรกรุงร่งนำมาซึ่งอุบัติเหตุ
- ▶ **อย่าใช้เครื่องมือไฟฟ้าในสภาพแวดล้อมที่เสี่ยงต่อการติดระเบิดได้ เช่น ในที่มีมีของเหลว แก๊ส หรือฝุ่นที่ติดไฟได้** เมื่อใช้เครื่องมือไฟฟ้าจะเกิดประกายไฟซึ่งอาจจุดฝุ่นหรือไอให้ลุกเป็นไฟได้
- ▶ **ขณะใช้เครื่องมือไฟฟ้าทำงาน ต้องกันเด็กและผู้ยืนดูให้ออกห่าง** การหันเหความสนใจอาจทำให้ท่านขาดการควบคุมเครื่องได้

ความปลอดภัยเกี่ยวกับไฟฟ้า

- ▶ **ปลั๊กของเครื่องมือไฟฟ้าต้องมีขนาดพอดีกับเต้าเสียบอย่าคิดแปลงหรือแก้ไขตัวปลั๊กอย่างเด็ดขาด** อย่าต่อปลั๊กต่อใดๆ เข้ากับเครื่องมือไฟฟ้าที่มีสายดิน ปลั๊กที่ไม่ตัดแปลงและเต้าเสียบที่เข้ากันช่วยลดความเสี่ยงจากการถูกไฟฟ้าดูด
- ▶ **หลีกเลี่ยงไม่ให้ร่างกายสัมผัสกับพื้นผิวของสิ่งของที่ต่อสายดินไว้ เช่น ท่อ เครื่องทำความร้อน เตา และตู้เย็น** จะเสี่ยงอันตรายจากการถูกไฟฟ้าดูดมากขึ้นหากกระแสไฟฟ้าวิ่งผ่านร่างกายของท่านลงดิน
- ▶ **อย่าวางเครื่องมือไฟฟ้าคาบผืนหรือทิ้งไว้ในที่ชื้นและหากน้ำเข้าในเครื่องมือไฟฟ้า จะเพิ่มความเสี่ยงจากการถูกไฟฟ้าดูด**
- ▶ **อย่าใช้สายไฟอย่างผิดๆ** อย่าถือเครื่องมือไฟฟ้าที่สาย อย่านำสายแฉกหรือขดสายไฟเข้าเต้าเสียบเพื่อถอดปลั๊กออกจากเต้าเสียบ กันสายไฟพาดอกห่างจากความร้อน น้ำมัน ขอบแหลมคม หรือส่วนของเครื่องที่กำลังเคลื่อนไหว สายไฟฟ้าที่ชำรุดหรือพันกันยุ่งเพิ่มความเสี่ยงจากการถูกไฟฟ้าดูด
- ▶ **เมื่อใช้เครื่องมือไฟฟ้าทำงานกลางแจ้ง ให้ใช้สายไฟต่อที่ได้รับการรับรองให้ใช้ต่อในที่กลางแจ้งเท่านั้น** การใช้สายไฟต่อที่เหมาะสมสำหรับงานกลางแจ้งช่วยลดอันตรายจากการถูกไฟฟ้าดูด

26 | ภาษาไทย

▶ หากไม่สามารถหลีกเลี่ยงการใช้เครื่องมือไฟฟ้าทำงานในสถานที่เปียกชื้นได้ ให้ใช้สวิตช์ตัดวงจรเมื่อเกิดการรั่วไหลของไฟฟ้าจากสายดิน การใช้สวิตช์ตัดวงจรเมื่อเกิดการรั่วไหลของไฟฟ้าจากสายดินช่วยลดความเสี่ยงต่อการถูกไฟฟ้าดูด

ความปลอดภัยของบุคคล

- ▶ ท่านต้องอยู่ในสภาพเตรียมพร้อม ระมัดระวัง ในสิ่งที่กำลังทำอยู่ และมีสติขณะใช้เครื่องมือไฟฟ้าทำงาน อย่าใช้เครื่องมือไฟฟ้าขณะที่ท่านกำลังเหนื่อย หรืออยู่ภายใต้การครอบงำของฤทธิ์ของยาเสพติด แอลกอฮอล์ และยา เมื่อใช้เครื่องมือไฟฟ้าทำงาน ในชั่วนาทีที่ท่านขาดความเอาใจใส่อาจทำให้บุคคลบาดเจ็บอย่างรุนแรงได้
- ▶ ใช้อุปกรณ์ป้องกันร่างกาย สวมแว่นตาป้องกันเสมอ อุปกรณ์ป้องกัน เช่น หน้ากากกันฝุ่น รองเท้ากันลื่น หมวกแข็ง หรือระบบหูกันเสียงดัง ที่เลือกใช้ตามความเหมาะสมกับสภาพการทำงาน สามารถลดอันตรายต่อบุคคลได้
- ▶ ป้องกันการคิดเครื่องโดยไม่ตั้งใจ ต้องดูให้แน่ใจว่าสวิตช์อยู่ในตำแหน่งปิดก่อนเสียบปลั๊กไฟเข้าในเต้าเสียบ และ/หรือใส่แท่งเบตเตอร์ รัชชีนหรือถือเครื่องมือ การถือเครื่องโดยใช้นิ้วหัวที่สวิตช์ หรือเสียบปลั๊กไฟที่ขั้วขั้วของสวิตช์เปิดอยู่ อาจนำไปสู่อุบัติเหตุที่ร้ายแรงได้
- ▶ เอาเครื่องมือปรับแต่งหรือประแจปากตายออกจากเครื่องมือไฟฟ้าก่อนเปิดสวิตช์ เครื่องมือหรือประแจปากตายที่วางอยู่กับส่วของเครื่องที่กำลังหมุนจะทำให้บุคคลบาดเจ็บได้
- ▶ หลีกเลี่ยงการตั้งท่าที่ผิดปกติ ตั้งท่ายืนที่มั่นคงและวางน้ำหนักให้สมดุลตลอดเวลา ในลักษณะนี้ท่านสามารถควบคุมเครื่องมือไฟฟ้าในสถานการณ์ที่ไม่คาดคิดได้ดีกว่า
- ▶ ใส่เสื้อผ้าที่เหมาะสม อย่าใส่เสื้อผ้าหลวมหรือสวมเครื่องประดับ เอาหมวก เสื้อผ้า และถุงมือออกจากส่วนของเครื่องที่กำลังหมุน เสื้อผ้าหลวม เครื่องประดับ และผมยาวอาจเข้าไปติดในส่วนของเครื่องที่กำลังหมุนได้
- ▶ หากต้องต่อเครื่องมือไฟฟ้าเข้ากับเครื่องดูดฝุ่นหรือเครื่องเก็บผง ดูให้แน่ใจว่าการเชื่อมต่อและการใช้งานเป็นไปอย่างถูกต้อง การใช้อุปกรณ์ดูดฝุ่นช่วยลดอันตรายที่เกิดจากฝุ่นได้

การใช้และการดูแลรักษาเครื่องมือไฟฟ้า

- ▶ อย่าใช้เครื่องมือไฟฟ้าอย่างหักโหม ใช้เครื่องมือไฟฟ้าที่ถูกต้องตรงตามลักษณะงาน เครื่องมือไฟฟ้าที่ถูกต้องจะทำงานได้ดีกว่าและปลอดภัยกว่าในระดับสมรรถภาพที่ออกแบบไว้
- ▶ อย่าใช้เครื่องมือไฟฟ้าที่สวิตช์เปิดปิดเสีย เครื่องมือไฟฟ้าที่ไม่สามารถควบคุมการเปิดปิดด้วยสวิตช์ได้ เป็นเครื่องมือไฟฟ้าที่ไม่ปลอดภัยและต้องส่งซ่อมแซม
- ▶ ก่อนปรับแต่งเครื่อง เปลี่ยนอุปกรณ์ประกอบ หรือเก็บเครื่องเข้าที่ ต้องถอดปลั๊กไฟออกจากเต้าเสียบ และ/หรือถอดแท่งเบตเตอร์ออกจากเครื่องมือไฟฟ้า มาตรการป้องกันเพื่อความปลอดภัยนี้ช่วยลดความเสี่ยงจากการติดเครื่องโดยไม่ตั้งใจ

▶ เมื่อเลิกใช้งานเครื่องมือไฟฟ้า ให้เก็บเครื่องไว้ในที่ที่เด็กหยิบไม่ถึง และไมอนุญาตให้บุคคลที่ไม่คุ้นเคยกับเครื่องหรือบุคคลที่ไม่ได้อ่านคำแนะนำนี้ใช้เครื่องมือไฟฟ้าเป็นของอันตรายหากตกอยู่ในมือของผู้ใช้ที่ไม่ได้รับการฝึกฝน

- ▶ เอาใจใส่ดูแลรักษาเครื่อง ตรวจสอบหาส่วนที่เคลื่อนไหวได้ของเครื่องว่าวางอยู่ตรงแนวหรือติดขัดหรือไม่ ตรวจสอบการแตกหักของชิ้นส่วนและสภาพอื่นใดที่อาจมีผลต่อการทำงานของเครื่องมือไฟฟ้า หากชำรุดต้องส่งเครื่องมือไฟฟ้าซ่อมแซมก่อนใช้งาน อุบัติเหตุหลายอย่างเกิดขึ้นเนื่องจากดูแลรักษาเครื่องไม่ดีพอ
- ▶ รักษาเครื่องมือตัดให้คมและสะอาด หากบำรุงรักษาเครื่องมือที่มีขอบตัดแหลมคมอย่างถูกต้อง จะสามารถตัดได้ลื่นไม่ติดขัดและควบคุมได้ง่ายกว่า
- ▶ ใช้เครื่องมือไฟฟ้า อุปกรณ์ประกอบ เครื่องมือ และอุปกรณ์อื่นๆ ให้ตรงตามคำแนะนำนี้ และในลักษณะตามที่เครื่องมือไฟฟ้าประเภทนั้นๆ กำหนดไว้ โดยต้องคำนึงถึงเงื่อนไขการทำงานและงานที่จะทำด้วย การใช้เครื่องมือไฟฟ้าทำงานที่ต่างไปจากวัตถุประสงค์การใช้ งานของเครื่อง อาจนำไปสู่สถานการณ์ที่เป็นอันตรายได้

การบริการ

▶ ส่งเครื่องมือไฟฟ้าให้ช่างผู้เชี่ยวชาญตรวจสอบและใช้ อะไหล่เปลี่ยนของแท้เท่านั้น ในลักษณะนี้ท่านจะแน่ใจได้ว่าเครื่องมือไฟฟ้าอยู่ในสภาพที่ปลอดภัย

คำแนะนำเพื่อความปลอดภัยสำหรับส่วน

- ▶ สวมอุปกรณ์ป้องกันเมื่อเจาะกระแทก การได้รับเสียงดัง อาจทำให้สูญเสียการได้ยิน
- ▶ หากตามจับเพิ่มจัดส่งมาพร้อมกับเครื่อง ให้ใช้ตามจับเพิ่มรวมด้วย การสูญเสียการควบคุมอาจทำให้บุคคลบาดเจ็บได้
- ▶ เมื่อทำงานในบริเวณเครื่องมืออาจสัมผัสกับสายไฟฟ้าที่ซ่อนอยู่หรือสายไฟฟ้าของเครื่อง ต้องจับเครื่องมือไฟฟ้าตรงตามจับที่หุ้มฉนวน การสัมผัสกับสายที่มีกระแสไฟฟ้าไหลผ่านจะทำให้ส่วนที่เป็นโลหะของเครื่องมือไฟฟ้าเกิดมีกระแสไฟฟ้าด้วย และส่งผลให้ผู้ที่ใช้เครื่องถูกไฟฟ้าดูดได้
- ▶ ใช้เครื่องตรวจที่เหมาะสมตรวจหาท่อ สายไฟฟ้า หรือสายโทรศัพท์ ที่อาจซ่อนอยู่ในบริเวณที่ทำงาน หรือขอความช่วยเหลือจากบริษัทสาธารณูปโภคในท้องถิ่น การสัมผัสกับสายไฟฟ้าอาจทำให้เกิดไฟไหม้หรือถูกไฟฟ้าดูด การทำให้ท่อแก๊สเสียหายอาจทำให้เกิดระเบิด การเจาะเข้าในท่อน้ำทำให้ทรัพย์สินเสียหาย หรืออาจเป็นเหตุให้ถูกไฟฟ้าดูดได้
- ▶ ปิดเครื่องมือไฟฟ้าทันทีที่เครื่องมือที่ใส่อยู่เกิดติดขัด เตรียมตัวรับแรงบดขยี้ที่นอนสูงที่ทำให้เกิดการติดขัด เครื่องมือที่ใส่อยู่ติดขัดเนื่องจาก:
 - เครื่องมือไฟฟ้าถูกใช้งานเกินกำลังปกติ หรือ
 - เครื่องมือที่มึนแข็งอยู่ในชิ้นงาน
- ▶ เมื่อใช้เครื่องทำงาน ต้องใช้มือทั้งสองจับเครื่องให้แน่น และตั้งท่ายืนที่มั่นคงเสมอ เครื่องมือไฟฟ้าสามารถเคลื่อนนำได้มั่นคงกว่าเมื่อใช้มือทั้งสองข้างจับ

- ▶ **ยึดชิ้นงานให้แน่น** การยึดชิ้นงานด้วยเครื่องหนีบหรือแท่นจับจะมั่นคงกว่าการยึดด้วยมือ
- ▶ **ก่อนวางเครื่องลงบนพื้นทุกครั้งต้องรอให้เครื่องหยุดนิ่งอยู่กับที่เสมอ** มิฉะนั้นเครื่องมือที่ใส่อยู่อาจดิ้นหลุดและนำไปสู่การสูญเสียการควบคุมเครื่องมือไฟฟ้า
- ▶ **อย่าใช้เครื่องที่สายไฟฟ้าชำรุด** หากสายไฟฟ้าชำรุดขณะทำงาน อย่าสัมผัสสายไฟฟ้าที่ชำรุด ให้ดึงปลั๊กไฟฟ้าหลักออกจากเต้าเสียบ สายไฟฟ้าชำรุดเพิ่มความเสี่ยงจากการถูกไฟฟ้าช็อกหรือดูด

รายละเอียดผลิตภัณฑ์และข้อมูลจำเพาะ



ต้องอ่านคำเตือนเพื่อความปลอดภัยและคำสั่งทั้งหมด การไม่ปฏิบัติตามคำเตือนและคำสั่งอาจเป็นสาเหตุให้ถูกไฟฟ้าดูด เกิดไฟไหม้ และ/หรือได้รับบาดเจ็บอย่างร้ายแรง

ประโยชน์การใช้งานของเครื่อง

เครื่องนี้ใช้สำหรับเจาะกระแทกในอิฐ คอนกรีต และหิน นอกจากนี้ยังใช้เจาะในไม้ โลหะ และพลาสติก เครื่องที่มีระบบควบคุมอิเล็กทรอนิกส์และการหมุนซ้าย/ขวาสามารถใช้ขันสกรูและตัดเกลียวได้ด้วย

ส่วนประกอบผลิตภัณฑ์

ลำดับเลขของส่วนประกอบผลิตภัณฑ์อ้างถึงส่วนประกอบของเครื่องที่แสดงในหน้าภาพประกอบ

ข้อมูลทางเทคนิค

ส่วนเจาะกระแทก		GSB 20-2 Professional	GSB 20-2 RE Professional
หมายเลขสินค้า		0 601 184 2..	0 601 184 6..
กำลังไฟฟ้าเข้ากำหนด	วัตต์	701	701
กำลังไฟฟ้าออก	วัตต์	380	380
ความเร็วรอบเดินตัวเปล่า			
- เกียร์ 1	รอบ/นาที	1000	0 - 1000
- เกียร์ 2	รอบ/นาที	3000	0 - 3000
ความเร็วรอบกำหนด			
- เกียร์ 1	รอบ/นาที	600	0 - 600
- เกียร์ 2	รอบ/นาที	2200	0 - 2200
อัตรากระแทก	/นาที	48000	48000
กำลังบิดกำหนด			
- เกียร์ 1	Nm	5.1	2.0
- เกียร์ 2	Nm	5.1	2.0
เส้นผ่าศูนย์กลางปลอกแกน	มม.	43	43
การตั้งความเร็วรอบล่วงหน้า		-	●
การหมุนซ้าย/ขวา		-	●
ค่าที่ใช้ได้กับแรงดันไฟฟ้าระบุ [U] 230 โวลต์ ค่าเหล่านี้มาจากผกผันสำหรับแรงดันไฟฟ้าที่ต่ำกว่า และไม่เคลที่สร้างสำหรับเฉพาะประเทศ			

- 1 หัวจับดอกชนิดจับเร็ว
- 2 ปลอกหน้า
- 3 ปลอกหลัง
- 4 สวิตช์ปรับ "เจาะ/เจาะกระแทก"
- 5 ปุ่มล็อคสวิตช์เปิด-ปิด
- 6 สวิตช์เปิด-ปิด
- 7 ปุ่มตั้งความเร็วรอบล่วงหน้า (GSB 20-2 RE)
- 8 สวิตช์เปลี่ยนทิศทางการหมุน (GSB 20-2 RE)
- 9 สวิตช์ตั้งเกียร์
- 10 นอตปีกสำหรับปรับก้านวัดความลึก
- 11 นอตปีกสำหรับปรับด้ามจับเพิ่ม
- 12 ด้ามจับเพิ่ม (พื้นผิวจับหุ้มฉนวน)*
- 13 ก้านวัดความลึก*
- 14 ด้ามจับ (พื้นผิวจับหุ้มฉนวน)
- 15 ดอกไขควง*
- 16 ด้ามจับดอกทั่วไป*
- 17 สกรูยึดหัวจับดอกชนิดจับเร็ว
- 18 ประแจขันหกเหลี่ยม**
- 19 ประแจปากตาย**

*อุปกรณ์ประกอบที่แสดงหรือระบุ ไม่รวมอยู่ในการจัดส่งมาตรฐาน กรุณาดูอุปกรณ์ประกอบทั้งหมดในรายการแสดงอุปกรณ์ประกอบของเรา

**หาซื้อได้ทั่วไป (ไม่รวมอยู่ในขอบเขตการจัดส่ง)

28 | ภาษาไทย

ส่วนเจาะกระแทก		GSB 20-2 Professional	GSB 20-2 RE Professional
0-การเจาะ สูงสุด			
- คอนกรีต	มม.	20	20
- เหล็ก	มม.	13	13
- ไม้	มม.	40	40
วงหนีบทัวจับดอก	มม.	1.5–13	1.5–13
น้ำหนักตามระเบียบการ-EPTA-Procedure 01/2003	กก.	2.1	2.2
ระดับความปลอดภัย		☐/II	☐/II
ค่าที่ผู้ใช้ได้กับแรงดันไฟฟ้าระบุ [U] 230 โวลต์ ค่าเหล่านี้อาจผิดแผกไปสำหรับแรงดันไฟฟ้าที่ต่ำกว่า และโมเดลที่สร้างสำหรับเฉพาะประเทศ			

การประกอบ

▶ ดึงปลั๊กไฟออกจากเต้าเสียบก่อนปรับแต่งเครื่อง

ด้ามจับเพิ่ม (ดูภาพประกอบ A)

▶ ให้ใช้เครื่องมือไฟฟ้าพร้อมด้ามจับเพิ่ม 12 เสมอ

ท่านสามารถจับด้ามจับเพิ่ม 12 หันไปยังตำแหน่งใดก็ได้ เพื่อจะได้ทำงานที่มั่นคงและเหนียวน้อย

หมุนนอตปีกสำหรับปรับด้ามจับเพิ่ม 11 ไปในทิศทวนเข็มนาฬิกา และตั้งด้ามจับเพิ่ม 12 ไปยังตำแหน่งที่ต้องการ จากนั้นจึงขันนอตปีก 11 ไปในทิศตามเข็มนาฬิกากลับเข้าให้แน่น

การปรับความลึกการเจาะ

ความลึกการเจาะที่ต้องการ **X** สามารถตั้งได้ด้วยก้านวัดความลึก 13

คลายนอตปีกสำหรับปรับก้านวัดความลึก 10 และสอดก้านวัดความลึกเข้าในด้ามจับเพิ่ม 12

ต้องหันด้านที่เป็นร่องบนก้านวัดความลึก 13 ขึ้นบน

ดันก้านวัดความลึกออกมาจนระยะห่างระหว่างปลายดอกสว่านและปลายก้านวัดความลึกเท่ากับความลึกการเจาะที่ต้องการ **X**

ขันนอตปีกสำหรับปรับก้านวัดความลึก 10 กลับเข้าให้แน่น

การเปลี่ยนเครื่องมือ

หัวจับดอกชนิดจับเร็ว (ดูภาพประกอบ B)

จับปลอกท้าย 3 ของหัวจับดอกชนิดจับเร็ว 1 ให้แน่น และหมุนปลอกหน้า 2 ไปในทิศทางหมุน **●** จนสามารถสอดเครื่องมือได้ จับเครื่องมือใส่เข้าไป

จับปลอกหลัง 3 ของหัวจับดอกชนิดจับเร็ว 1 ให้แน่นและใช้มือหมุนปลอกหน้า 2 ไปตามทิศ **●** จนไม่ได้ยินเสียงล็อกอีกต่อไป ในลักษณะนี้หัวจับดอกสว่านจะล็อกโดยอัตโนมัติ

เมื่อต้องการถอดเครื่องมือออก ต้องปลดล็อกอีกครั้งโดยหมุนปลอกหน้า 2 ไปในทิศตรงกันข้าม

เครื่องมือขัน (GSB 20-2 RE) (ดูภาพประกอบ C)

เมื่อใช้ดอกไขควง 15 ควรใช้ด้ามจับดอกทั่วไป 16 ด้วยเสมอ ต้องใช้ไขควงที่มีขนาดพอดีกับหัวสกรู

เมื่อต้องการขันสกรู ให้สลับสวิทช์ปรับ "เจาะ/เจาะกระแทก" 4 ไปที่สัญลักษณ์ "เจาะ" เสมอ

การเปลี่ยนหัวจับดอก

การถอดสกรูยึด (ดูภาพประกอบ D)

หัวจับดอกชนิดจับเร็ว 1 ถูกยึดด้วยสกรูยึด 17 เพื่อกันไม่ให้หลุดหลวมออกจากแกนสว่านโดยไม่ตั้งใจเปิดหัวจับดอกชนิดจับเร็ว 1 ออกจนสุด และขันสกรูยึด 17 ไปตามทิศ **●**
กรุณาสั่งเกตว่า สกรูยึดมีเกลียวควงซ้าย

หากสกรูยึด 17 ติดแน่น ให้จ่อไขควงไปที่หัวสกรู และคลายสกรูยึดออกโดยเคาะบนด้ามจับไขควง

การถอดหัวจับดอก (ดูภาพประกอบ E)

เมื่อต้องการถอดหัวจับดอกชนิดจับเร็ว 1 ออก ให้หนีบประแจขันหกเหลี่ยม 18 เข้าในหัวจับดอกชนิดจับเร็ว 1 และวางประแจปากตาย 19 (ขนาด 14 มม.) เข้ากับพื้นที่รับสำหรับประแจบนแกนขับ วางเครื่องลงบนที่ค้ำยันที่มีขนาด ต. ย. เช่นโต๊ะทำงานของช่าง จับประแจปากตาย 19 อย่างมั่นคง และคลายหัวจับดอกชนิดจับเร็ว 1 ออกโดยหมุนประแจขันหกเหลี่ยม 18 ไปในทิศการหมุน **●** คลายหัวจับดอกชนิดจับเร็วที่ติดแน่นออกโดยเคาะที่ปลายด้านยาวของประแจขันหกเหลี่ยม 18 เอาประแจขันหกเหลี่ยมออกจากหัวจับดอกชนิดจับเร็ว และขันหัวจับดอกชนิดจับเร็วออกจนสุด

การประกอบหัวจับดอก (ดูภาพประกอบ F)

การประกอบหัวจับดอกชนิดจับเร็วเข้าให้ทำตามลำดับย้อนหลัง



ต้องขันหัวจับดอกเข้าให้แน่นด้วยกำลังบิดการขันประมาณ 30–35 Nm

ขันสกรูยึด 17 ไปในทิศทวนเข็มนาฬิกาเข้าในหัวจับดอกชนิดจับเร็วที่เปิดอยู่ ใช้สกรูยึดตัวใหม่เสมอ เนื่องจากเกลียวถูกเคลือบด้วยส่วนผสมลื่นเคลือบ ซึ่งจะหมดประสิทธิภาพหลังจากใช้ไปหลายๆ ครั้ง

การดูดฝุ่น/ขี้เสี้ยน

▶ ผู้ที่ได้จากวัสดุ เช่น เคลือบผิวที่มีสารตะกั่ว ไม้ยางประเภทแรชาด และโลหะ อาจเป็นอันตรายต่อสุขภาพ การสัมผัสหรือการหายใจเอาฝุ่นเข้าไปอาจทำให้เกิดปฏิกิริยาแพ้ฝุ่นและ/หรือนำมาซึ่งโรคติดเชื้อระบบหายใจแก่ผู้ใช้เครื่องมือหรือผู้ที่ยืนอยู่ใกล้เคียงฝุ่นบางประเภท เช่น ฝุ่นไม้ไผ่หรือไม่มีขี้ ฝุ่นเป็นสารที่ทำให้เกิดมะเร็ง โดยเฉพาะอย่างยิ่งเมื่อผสมกับสารเติมแต่งเพื่อบำบัดไม้ (โครเมต ผลิตภัณฑ์รักษาเนื้อไม้) สำหรับวัสดุที่มีแอลเบสทอลต้องให้ผู้เชี่ยวชาญทำงานเท่านั้น

- จัดสถานที่ทำงานให้มีการระบายอากาศที่ดี
- ขอแนะนำให้สวมหน้ากากป้องกันการติดเชื้อที่มีระดับ-ไส้กรอง P2

ปฏิบัติตามกฎข้อบังคับสำคัญอื่นๆ ที่เกี่ยวกับวัสดุชิ้นงานที่บังคับใช้ในประเทศของท่าน

- ▶ **ป้องกันการสะสมของฝุ่นในสถานที่ทำงาน** ฝุ่นสามารถถูกใหม่อย่างง่ายดาย

การปฏิบัติงาน

เริ่มต้นปฏิบัติงาน

- ▶ **ให้สังเกตแรงดันไฟฟ้า! แรงดันไฟฟ้าจากแหล่งจ่ายไฟฟ้าต้องมีค่าตรงกับค่าแรงดันไฟฟ้าที่ระบุไว้บนแผ่นป้ายพิกัดเครื่อง**

การกลับทิศทางการหมุน (GSB 20-2 RE)


- ▶ **สับสวิทช์เปลี่ยนทิศทางการหมุน 8 เมื่อเครื่องหยุดนิ่งอยู่กับที่เท่านั้น**

สวิทช์เปลี่ยนทิศทางการหมุน 8 ใช้สำหรับกลับทิศทางการหมุนของเครื่อง อย่างไรก็ตาม หากกดสวิทช์เปิด-ปิด 6 อยู่ จะกลับทิศทางการหมุนไม่ได้

การหมุนทางขวา: กดสวิทช์เปลี่ยนทิศทางการหมุน 8 ไปทางขวาเรื่อยๆ ไปจนสุด (สำหรับการเจาะและการขันสกรูเข้า)

การหมุนทางซ้าย: กดสวิทช์เปลี่ยนทิศทางการหมุน 8 ไปทางซ้ายเรื่อยๆ ไปจนสุด (สำหรับการคลายและการขันสกรูและน็อตออก)

การตั้งวิธีการปฏิบัติงาน

-  **เจาะ และ ขันสกรู**
สับสวิทช์ปรับ 4 ไปที่สัญลักษณ์ "เจาะ"

-  **เจาะกระแทก**
สับสวิทช์ปรับ 4 ไปที่สัญลักษณ์ "เจาะกระแทก"

สวิทช์ปรับ 4 จะลงสลักอย่างเห็นได้ชัด และสามารถกลับขณะเครื่องกำลังเดินอยู่

การเลือกเกียร์ ระบบกลไก

- ▶ **ท่านสามารถใช้ปุ่มตั้งเกียร์ 9 สำหรับเปลี่ยนเกียร์เมื่อเครื่องกำลังวิ่งที่ความเร็วต่ำ ไม่ควรเปลี่ยนเกียร์เมื่อเครื่องหยุดอยู่ เมื่อใช้งานเต็มกำลัง หรือเมื่อกำลังวิ่งที่ความเร็วสูงสุด**

ปุ่มตั้งเกียร์ 9 สามารถตั้งความเร็วรอบล่วงหน้าได้สองขั้น

เกียร์ I:

ความเร็วรอบต่ำ สำหรับการเจาะรูเส้นผ่าศูนย์กลางขนาดเล็ก กว้าง หรือสำหรับการขันสกรูเข้า

เกียร์ II:

ความเร็วรอบสูง สำหรับการเจาะรูเส้นผ่าศูนย์กลางขนาดเล็ก หากสับปุ่มตั้งเกียร์ 9 เข้าล็อกได้ไม่เต็มที่ ให้หมุนเพลลาขับเบาๆ ด้วยดอกสว่านโดยการบิดหัวสว่าน

การเปิด-ปิดเครื่อง

เปิดเครื่องทำงาน โดยกดสวิทช์เปิด-ปิด 6 และกดค้างไว้ ล็อคสวิทช์เปิด-ปิด 6 ที่กดค้างไว้ โดยกดปุ่มล็อคสวิทช์เปิด-ปิด 5

ปิดเครื่อง โดยปล่อยนิ้วจากสวิทช์เปิด-ปิด 6 หรือในกรณีที่ถูกล็อคด้วยปุ่มล็อค 5 อยู่ ให้กดสวิทช์เปิด-ปิด 6 ลั่นๆ และปล่อยนิ้ว

การปรับความเร็วรอบ/กระแทก (GSB 20-2 RE)

ท่านสามารถปรับอัตราความเร็วรอบ/กระแทกของเครื่องมือไฟฟ้าที่เปิดสวิทช์ทำงานได้อย่างต่อเนื่อง ทั้งนี้ขึ้นอยู่กับแรงที่กดลงบนสวิทช์เปิด-ปิด 6

กดสวิทช์เปิด-ปิด 6 เมาจะได้อัตราความเร็วรอบ/กระแทกต่ำ กดสวิทช์แรงขึ้นอัตราความเร็วรอบ/กระแทกจะเพิ่มขึ้น

การตั้งความเร็วรอบ/กระแทกล่วงหน้า (GSB 20-2 RE)

ความเร็วรอบ/กระแทกที่ต้องการสามารถตั้งล่วงหน้าได้ด้วยปุ่มตั้งความเร็วรอบล่วงหน้า 7 และตั้งได้แม้ขณะเครื่องกำลังเดินอยู่

ความเร็วรอบ/กระแทกที่ต้องใช้ขึ้นอยู่กับประเภทวัสดุและเงื่อนไขการทำงาน และสามารถกำหนดได้จากกราฟทดลองฝึกปฏิบัติ

ข้อแนะนำในการทำงาน

- ▶ **จับเครื่องมือไฟฟ้าเข้าบนหัวสกรู/น็อตเมื่อเครื่องปิดอยู่กับที่** เครื่องมือที่หมุนอยู่อาจลื่นไถล

หลังจากใช้เครื่องด้วยความเร็วต่ำเป็นเวลานาน ต้องทำให้เครื่องเย็นลงโดยปล่อยให้เครื่องเดินตัวเปล่าที่ความเร็วสูงสุ่นานประมาณ 3 นาที

เมื่อต้องการเจาะกระเบื้อง ให้สับสวิทช์ปรับ 4 ไปที่สัญลักษณ์ "เจาะ" อย่าสับสวิทช์ไปที่สัญลักษณ์ "เจาะกระแทก" หรือเจาะโดยการกระแทก จนกว่าจะได้เจาะกระเบื้องทะลุแล้ว

เมื่อต้องการเจาะคอนกรีต หิน และกำแพงอิฐ ต้องใช้ดอกสว่านที่ทำจากโลหะแข็ง

ให้ใช้เฉพาะดอกสว่าน HSS (HSS = high-speed steel)

ที่ล้มคมอย่างดีสำหรับเจาะโลหะ ดอกสว่านที่เป็นอุปกรณ์ประกอบของแท่งข้อ บ็อบซ์ รับประกันคุณภาพการเจาะ

ดอกสว่านเกลียวบิดขนาดตั้งแต่ 2.5 - 10 มม สามารถสับได้อย่างง่ายดายด้วยที่ล็อคดอกสว่าน (คู่มือประกอบ)

การบำรุงรักษาและการบริการ

การบำรุงรักษาและการทำความสะอาด

- ▶ **ดึงปลั๊กไฟออกจากเต้าเสียบก่อนปรับแต่งเครื่อง**

- ▶ **เพื่อให้ทำงานได้อย่างถูกต้องและปลอดภัย ต้องรักษาเครื่องและช่องระบายอากาศให้สะอาดอยู่เสมอ**

เมื่อจำเป็นต้องเปลี่ยนสายไฟฟ้า ให้ส่งเครื่องไปบริษัท บ็อบซ์หรือศูนย์บริการลูกค้าสำหรับเครื่องมือไฟฟ้า บ็อบซ์ ที่ได้รับมอบหมายทำการเปลี่ยนให้ เพื่อหลีกเลี่ยงอันตรายด้านความปลอดภัย

เครื่องมือไฟฟ้านี้ผ่านกรรมวิธีการผลิตและตรวจสอบอย่างละเอียดถี่ถ้วนมาแล้ว ถึงกระนั้น หากเครื่องเกิดขัดข้อง ต้อง

30 | Bahasa Indonesia

ส่งเครื่องให้ศูนย์บริการหลังการขายสำหรับเครื่องมือไฟฟ้า
มือชก ซ่อมแซม

เมื่อต้องการสอบถามและสั่งซื้ออะไหล่ กรุณาแจ้งหมายเลข
สินค้าหลักบนแผ่นป้ายรุ่นของเครื่องทุกครั้ง

การบริการหลังการขายและคำแนะนำการใช้งาน

ศูนย์บริการหลังการขายของเรายินดีตอบคำถามเกี่ยวกับ
การบำรุงรักษาและการซ่อมแซมผลิตภัณฑ์ของท่าน รวมทั้ง
ชิ้นส่วนอะไหล่ ภาพแยกชิ้นประกอบและข้อมูลเกี่ยวกับ
ชิ้นส่วนอะไหล่ยังสามารถดูได้ใน:

www.bosch-pt.com

ทีมงานให้คำแนะนำการใช้งานของ มือชก ยินดีตอบคำถาม
เกี่ยวกับผลิตภัณฑ์ของเราและอุปกรณ์ประกอบของผลิตภัณฑ์

ในกรณีประกัน ซ่อมแซม หรือซื้อชิ้นส่วนมาเปลี่ยน
กรุณาติดต่อ ผู้ขายที่ได้รับแต่งตั้งเท่านั้น

ไทย

บริษัท โรเบิร์ต บ็ช จำกัด
ชั้น 11 ดิกลีเบอร์ตี สแควร์
287 ถนนสีลม บางรัก

กรุงเทพฯ 10500
โทรศัพท์ 02 6393111, 02 6393118
โทรสาร 02 2384783

บริษัท โรเบิร์ต บ็ช จำกัด ตู้ ปณ. 2054
กรุงเทพฯ 10501 ประเทศไทย
www.bosch.co.th

ศูนย์บริการซ่อมและฝึกอบรม มือชก
อาคาร ลาซาลทาวเวอร์ ชั้น G ห้องเลขที่ 2
บ้านเลขที่ 10/11 หมู่ 16

ถนนศรีนครินทร์
ตำบลบางแก้ว อำเภอบางพลี
จังหวัดสมุทรปราการ 10540
ประเทศไทย
โทรศัพท์ 02 7587555
โทรสาร 02 7587525

การกำจัดขยะ

เครื่องมือ อุปกรณ์ประกอบ และหีบห่อ ต้องนำไปแยกประเภท
วัสดุเพื่อนำกลับมาใช้ใหม่โดยไม่ทำลายสภาพแวดล้อม

อย่าทิ้งเครื่องมือไฟฟ้าลงในขยะบ้าน!

ขอสงวนสิทธิ์ในการเปลี่ยนแปลงโดยไม่ต้องแจ้งล่วงหน้า

Bahasa Indonesia

Petunjuk-Petunjuk untuk Keselamatan Kerja

Petunjuk-Petunjuk Umum untuk Perkakas Listrik

⚠ PERHATIKANLAH Bacalah semua petunjuk-petunjuk untuk keselamatan kerja dan petunjuk-petunjuk untuk penggunaan.

Kesalahan dalam menjalankan petunjuk-petunjuk untuk keselamatan kerja dan petunjuk-petunjuk untuk penggunaan dapat mengakibatkan kontak listrik, kebakaran dan/atau luka-luka yang berat.

Simpanlah semua petunjuk-petunjuk untuk keselamatan kerja dan petunjuk-petunjuk lainnya untuk penggunaan di masa depan.

Kata „perkakas listrik“ yang disebutkan di dalam petunjuk-petunjuk untuk keselamatan kerja adalah sebutan untuk perkakas listrik pakai listrik jaringan (dengan kabel) dan untuk perkakas listrik tenaga baterai (tanpa kabel listrik).

Keselamatan kerja di tempat kerja

- ▶ **Jagalah supaya tempat kerja selalu bersih dan terang.** Tempat kerja yang tidak rapi atau tidak terang dapat mengakibatkan terjadinya kecelakaan.
- ▶ **Janganlah menggunakan perkakas listrik di tempat di mana dapat terjadi ledakan, di mana ada cairan, gas atau debu yang mudah terbakar.** Perkakas listrik dapat memancarkan bunga api yang lalu mengakibatkan debu atau uap terbakar.
- ▶ **Selama menggunakan perkakas listrik, jauhkan anak-anak dan orang-orang lain dari tempat kerja.** Jika konsentrasi terganggu, bisa jadi Anda tidak bisa mengendalikan perkakas listrik tersebut.

Keamanan listrik

- ▶ **Steker dari perkakas listrik harus cocok pada stopkontak. Janganlah sekali-kali merubah steker. Janganlah menggunakan steker perantara bersama dengan perkakas listrik yang mempunyai hubungan arde.** Steker yang tidak dirubah dan stopkontak yang cocok mengurangi bahaya terjadinya kontak listrik.
- ▶ **Jagalah supaya badan Anda tidak bersentuhan dengan permukaan yang mempunyai hubungan arde, misalnya pipa-pipa, radiator pemanas ruangan, kompor listrik dan lemari es.** Ada risiko besar terjadi kontak listrik, jika badan Anda mempunyai hubungan arde.
- ▶ **Jagalah supaya perkakas listrik tidak kena hujan atau menjadi basah.** Air yang masuk ke dalam perkakas listrik menambah risiko terjadinya kontak listrik.
- ▶ **Janganlah menyalah gunakan kabel listrik untuk mengangkat dan menggantungkan perkakas listrik atau untuk menarik steker dari stopkontak. Jagalah supaya kabel listrik tidak kena panas, minyak, pinggirian yang tajam atau bagian-bagian perkakas**

yang bergerak. Kabel listrik yang rusak atau tersangkut menambah risiko terjadinya kontak listrik.

- ▶ **Jika Anda menggunakan perkakas listrik di luar gedung, gunakanlah hanya kabel sambungan yang juga cocok untuk pemakaian di luar gedung.** Penggunaan kabel sambungan yang cocok untuk pemakaian di luar gedung mengurangi risiko terjadinya kontak listrik.
- ▶ **Jika penggunaan perkakas listrik di tempat yang basah tidak bisa dihindarkan, gunakanlah sakelar pengaman terhadap arus penyimpangan.** Penggunaan sakelar pengaman terhadap arus penyimpangan mengurangi risiko terjadinya kontak listrik.

Keselamatan kerja

- ▶ **Berhati-hatilah selalu, perhatikanlah apa yang Anda kerjakan dan bekerjalah dengan seksama jika menggunakan perkakas listrik. Janganlah menggunakan perkakas listrik, jika Anda capai atau berada di bawah pengaruh narkoba, minuman keras atau obat.** Jika Anda sekejap mata saja tidak berhati-hati sewaktu menggunakan perkakas listrik, dapat terjadi luka-luka berat.
- ▶ **Pakailah pakaian dan sarana pelindung dan pakailah selalu kaca mata pelindung.** Dengan memakai pakaian dan sarana pelindung, misalnya kedok anti debu (masker), sepatu tertutup yang tidak licin, helm pelindung atau pemalut telinga sesuai dengan pekerjaan yang dilakukan dengan perkakas listrik, bahaya terjadinya luka-luka dapat dikurangi.
- ▶ **Jagalah supaya perkakas listrik tidak dihidupkan secara tidak disengaja. Perhatikan bahwa perkakas listrik dalam penyetelan mati, jika steker disambungkan pada pengadaan listrik dan/atau baterai, jika perkakas listrik diangkat atau dibawa.** Jika selama mengangkat perkakas listrik jari Anda berada pada tombol untuk menghidupkan dan mematikan atau perkakas listrik yang dalam penyetelan hidup disambungkan pada listrik, dapat terjadi kecelakaan.
- ▶ **Lepaskan semua perkakas-perkakas penyetelan atau kunci-kunci pas sebelum perkakas listrik dihidupkan.** Perkakas atau kunci yang berada di dalam bagian yang berputar dapat mengakibatkan terjadinya luka-luka.
- ▶ **Aturkan badan sedemikian sehingga Anda bisa bekerja dengan aman. Berdirilah secara mantap dan jagalah selalu keseimbangan.** Dengan demikian Anda bisa mengendalikan perkakas listrik dengan lebih baik, jika terjadi sesuatu dengan tiba-tiba.
- ▶ **Pakailah pakaian yang cocok. Janganlah memakai pakaian yang longgar atau perhiasan. Jagalah supaya rambut, pakaian dan sarung tangan tidak masuk dalam bagian-bagian perkakas yang bergerak.** Pakaian yang longgar, rambut panjang atau perhiasan dapat tersangkut dalam bagian perkakas yang bergerak.
- ▶ **Jika ada kemungkinan untuk memasang sarana penghisapan dan penampungan debu, perhatikan bahwa sarana-sarana ini telah dipasangkan dan digunakan dengan betul.** Penggunaan sarana penghisapan bisa mengurangi bahaya yang disebabkan debu.

Penggunaan dan penanganan perkakas listrik dengan seksama

- ▶ **Janganlah membebankan perkakas listrik terlalu berat. Gunakan selalu perkakas listrik yang cocok untuk pekerjaan yang dilakukan.** Dengan perkakas listrik yang cocok Anda bekerja lebih baik dan lebih aman dalam batas-batas kemampuan yang ditentukan.
- ▶ **Janganlah menggunakan perkakas listrik yang tombolnya rusak.** Perkakas listrik yang tidak bisa dihidupkan atau dimatikan, berbahaya dan harus direparasikan.
- ▶ **Tariklah steker dari stopkontak dan/atau keluarkan baterai, sebelum Anda melakukan penyetelan pada perkakas listrik, mengganti alat-alat kerja atau sebelum menyimpan perkakas listrik.** Tindakan keselamatan kerja ini mengurangi bahaya perkakas listrik hidup secara tidak disengaja.
- ▶ **Simpanlah perkakas listrik yang tidak digunakan di luar jangkauan anak-anak. Janganlah mengizinkan orang-orang yang tidak mengenal perkakas listrik ini atau yang belum membaca petunjuk-petunjuk ini, menggunakan perkakas listrik ini.** Perkakas listrik bisa menjadi berbahaya, jika digunakan oleh orang-orang yang tidak mengenalnya.
- ▶ **Rawatlah perkakas listrik dengan seksama. Periksalah, apakah bagian-bagian perkakas listrik yang bergerak berfungsi dengan baik dan tidak tersangkut, apakah ada bagian-bagian yang patah atau rusak sedemikian, sehingga dapat mempengaruhi jalannya perkakas listrik. Biarkan bagian-bagian perkakas yang rusak direparasikan, sebelum Anda mulai menggunakan perkakas listrik.** Banyak kecelakaan terjadi karena perkakas listrik tidak dirawat dengan seksama.
- ▶ **Perhatikan supaya alat-alat pemotong selalu tajam dan bersih.** Alat-alat pemotong dengan mata-mata pemotong yang tajam dan dirawat dengan seksama tidak mudah tersangkut dan lebih mudah dikendalikan.
- ▶ **Gunakanlah semua perkakas listrik, aksesori, alat-alat kerja dsb. sesuai dengan petunjuk-petunjuk. Perhatikan syarat-syarat kerja dan macam pekerjaan yang dilakukan.** Penggunaan perkakas listrik untuk macam pekerjaan yang tidak cocok dengan kegunaannya bisa mengakibatkan keadaan yang berbahaya.

Servis

- ▶ **Biarkan perkakas listrik Anda direparasikan hanya oleh orang-orang ahli yang berpengalaman dan hanya dengan menggunakan suku cadang yang asli.** Dengan demikian terjamin keselamatan kerja dengan perkakas listrik ini secara berkesinambungan.

Petunjuk-petunjuk untuk keselamatan kerja untuk mesin bor

- ▶ **Pakailah pemalut telinga selama membor dengan getaran.** Jika Anda mendengar suara bising, daya pendengaran bisa berkurang.
- ▶ **Gunakanlah gagang tambahan-gagang tambahan, jika ini dipasok bersama dengan perkakas listrik.** Perkakas listrik yang tidak bisa dikendalikan bisa mengakibatkan terjadinya luka-luka.
- ▶ **Peganglah perkakas listrik hanya pada pegangan yang terisolir jika Anda melakukan pekerjaan yang memungkinkan alat pemotong ini menjalin kontak dengan kabel listrik yang tidak terlihat atau kabelnya sendiri.** Alat kerja yang bersentuhan dengan kabel yang bertegangan dapat mengakibatkan bagian-bagian logam dari perkakas listrik juga ikut dialiri tegangan arus dan mengakibatkan terjadinya kontak listrik.
- ▶ **Gunakanlah alat detektor logam yang cocok untuk mencari kabel dan pipa yang tidak terlihat atau hubungi perusahaan pengadaan setempat.** Sentuhan dengan kabel-kabel listrik dapat mengakibatkan api dan kontak listrik. Pipa gas yang rusak dapat mengakibatkan ledakan. Pipa air yang rusak mengakibatkan kerusakan barang-barang atau dapat mengakibatkan kontak listrik.
- ▶ **Matikanlah segera perkakas listrik, jika alat kerjanya memblok.** Berwaspadalah akan terjadinya momen reaksi yang besar yang mengakibatkan bantingan. Alat kerja memblok jika:
 - perkakas listrik dibebankan terlalu berat atau
 - alat kerja tersangkut dalam benda yang dikerjakan.
- ▶ **Selama digunakan, peganglah perkakas listrik dengan kedua belah tangan dan perhatikanlah supaya Anda berdiri secara teguh.** Perkakas listrik bisa dikendalikan lebih baik jika dipegang dengan kedua belah tangan.
- ▶ **Usahakan supaya benda yang dikerjakan tidak goyang.** Benda yang ditahan dalam alat pemegang atau bais lebih mantap daripada benda yang dipegang dengan tangan.
- ▶ **Sebelum meletakkan perkakas listrik, tunggulah sampai perkakas berhenti memutar.** Alat kerja bisa tersangkut dan membuat perkakas listrik tidak bisa dikendalikan.
- ▶ **Janganlah menggunakan perkakas listrik, jika kabelnya rusak. Janganlah menyentuh kabel yang rusak dan tariklah steker dari stopkontak, jika kabel menjadi rusak selama penggunaan perkakas listrik.** Kabel yang rusak membuat risiko terjadinya kontak listrik menjadi lebih besar.

Penjelasan tentang produk dan daya



Bacalah semua petunjuk-petunjuk untuk keselamatan kerja dan petunjuk-petunjuk untuk penggunaan. Kesalahan dalam menjalankan petunjuk-petunjuk untuk keselamatan kerja dan petunjuk-petunjuk untuk penggunaan dapat mengakibatkan kontak listrik, kebakaran dan/atau luka-luka yang berat.

Penggunaan alat

Mesin ini cocok untuk membor dengan getaran pada batu bata, beton dan batu-batuan serta untuk membor tanpa getaran pada kayu, logam, keramik dan bahan sintetik. Mesin-mesin dengan pengendalian secara elektronika dan arah putaran ke kanan/kiri juga cocok untuk menyekrup dan mentap.

Bagian-bagian pada gambar

Nomor-nomor dari bagian-bagian perkakas pada gambar sesuai dengan gambar perkakas listrik pada halaman bergambar.

- 1 Cekaman mata bor yang dikunci dan dibuka dengan tangan
- 2 Selubung depan
- 3 Selubung belakang
- 4 Sakelar untuk menyatel „tanpa getaran/dengan getaran“
- 5 Tombol pengunci untuk tombol untuk menghidupkan dan mematikan
- 6 Tombol untuk menghidupkan dan mematikan
- 7 Roda untuk penyetelan pendahuluan kecepatan putaran (GSB 20-2 RE)
- 8 Omsakelar arah putaran (GSB 20-2 RE)
- 9 Sakelar untuk memilih tingkatan putaran
- 10 Baut kupu-kupu untuk penyetelan pembatas kedalaman lubang
- 11 Baut kupu-kupu untuk penyetelan gagang tambahan
- 12 Gagang tambahan (genggaman terisolir)*
- 13 Pembatas kedalaman lubang*
- 14 Pegangan (genggaman terisolir)
- 15 Mata obeng bit*
- 16 Pemegang mata obeng bit*
- 17 Sekrup pengaman untuk cekaman mata bor yang dikunci dan dibuka dengan tangan
- 18 Kunci mur dalam**
- 19 Kunci pas**

*Aksesori yang ada pada gambar atau yang dijelaskan, tidak termasuk pasokan standar. Semua aksesori yang ada bisa Anda lihat dalam program aksesori Bosch.

**dijual secara umum (tidak termasuk perkakas listrik yang dipasok)

Data teknis

Mesin bor getaran		GSB 20-2 Professional	GSB 20-2 RE Professional
Nomor model		0 601 184 2..	0 601 184 6..
Masukan nominal	W	701	701
Daya	W	380	380
Kecepatan putaran tanpa beban			
– Tingkatan putaran ke 1	min ⁻¹	1 000	0 – 1 000
– Tingkatan putaran ke 2	min ⁻¹	3 000	0 – 3 000
Kecepatan putaran nominal			
– Tingkatan putaran ke 1	min ⁻¹	600	0 – 600
– Tingkatan putaran ke 2	min ⁻¹	2 200	0 – 2 200
Banyaknya getaran	min ⁻¹	48 000	48 000
Momen putar nominal			
– Tingkatan putaran ke 1	Nm	5,1	2,0
– Tingkatan putaran ke 2	Nm	5,1	2,0
Leher poros Ø	mm	43	43
Penyetelan pendahuluan kecepatan putaran		–	●
Putaran ke kanan/kiri		–	●
Ø mata bor maks.			
– Beton	mm	20	20
– Baja	mm	13	13
– Kayu	mm	40	40
Kepala cekam yang bisa memegang mata bor	mm	1,5 – 13	1,5 – 13
Berat sesuai dengan EPTA-Procedure 01/2003	kg	2,1	2,2
Klasifikasi keamanan		□/II	□/II
Data-data berlaku untuk tegangan nominal [U] 230 V. Pada tegangan yang lebih rendah dan pada model khusus mancanegara data-data ini bisa berlainan.			

Cara memasang

- ▶ **Sebelum mulai dengan pekerjaan pada perkakas listrik, tariklah steker dari stopkontak.**

Gagang tambahan (lihat gambar A)

- ▶ **Gunakanlah perkakas listrik hanya dengan gagang tambahan 12.**

Anda bisa memutar gagang tambahan 12 ke kedudukan yang cocok dengan macam pekerjaan, supaya posisi kerja mantap dan tidak begitu melelahkan.

Putarkan baut kupu-kupu untuk penyetelan gagang tambahan 11 dalam arah yang berlawanan dengan jalannya jarum jam dan putarkan gagang tambahan 12 ke kedudukan yang diperlukan. Setelah itu baut kupu-kupu 11 diputar dalam arah jalannya jarum jam untuk mengencangkannya kembali.

Menyetel kedalaman pemboran

Dengan pembatas kedalaman lubang 13 kedalaman pemboran X bisa disetelkan.

Lepaskan baut kupu-kupu untuk penyetelan pembatas kedalaman lubang 10 dan pasang pembatas kedalaman lubang di dalam gagang tambahan 12.

Permukaan yang bergerigi pada pembatas kedalaman lubang 13 harus menghadap ke atas.

Tarik pembatas kedalaman lubang sedemikian, sampai jarak antara pucuk mata bor dan pucuk pembatas kedalaman lubang adalah kedalaman pemboran yang dikehendaki.

Setelah itu baut kupu-kupu untuk penyetelan pembatas kedalaman lubang 10 dikencangkan kembali.

Mengganti alat kerja**Cekaman mata bor yang dikunci dan dibuka dengan tangan (lihat gambar B)**

Pegang selubung belakang 3 dari cekaman mata bor yang dikunci dan dibuka dengan tangan 1 dan putarkan selubung depan 2 dalam arah putaran 1, sampai alat kerja bisa dimasukkan. Pasangkan alat kerja.

Pegang selubung bagian belakang 3 dari cekaman mata bor yang dikunci dan dibuka dengan tangan 1 dengan betul dan putarkan selubung bagian depan 2 dalam arah putaran 2 keras-keras dengan tangan sampai menutup, sampai tidak terdengar bunyi ceklek. Dengan demikian cekaman mata bor dikunci secara otomatis.

Penguncian terbuka kembali, jika pada waktu mengeluarkan alat kerja, selubung depan 2 diputar dalam arah yang berlawanan.

34 | Bahasa Indonesia

**Alat kerja untuk menyekrup (GSB 20-2 RE)
(lihat gambar C)**

Jika digunakan mata obeng bit **15**, gunakan selalu pemegang mata obeng bit **16**. Gunakanlah hanya mata obeng bit yang cocok pada kepala sekrap.

Untuk menyekrup, sakelar untuk menyatel „tanpa getaran/dengan getaran“ **4** selalu harus disetelkan pada simbol „membor (tanpa getaran)“.

Mengganti cekaman mata bor**Melepaskan sekrap pengaman (lihat gambar D)**

Cekaman mata bor yang dikunci dan dibuka dengan tangan **1** dimantapkan dengan sekrap pengaman **17**, supaya tidak terlepas tanpa disengaja dari poros mesin. Bukakan cekaman mata bor yang dikunci dan dibuka dengan tangan **1** sama sekali dan putarkan sekrap pengaman **17** dalam arah **1** sampai lepas. **Perhatikanlah bahwa sekrap pengaman berulir kiri.**

Jika sekrap pengaman **17** terlalu kencang duduknya, pasangkan satu obeng pada kepala sekrap dan kendorkan sekrap pengaman dengan cara memukul pada gagang obeng.

Melepaskan cekaman mata bor (lihat gambar E)

Untuk melepaskan cekaman mata bor yang dikunci dan dibuka dengan tangan **1**, masukkan satu kunci mur dalam **18** ke dalam cekaman mata bor yang dikunci dan dibuka dengan tangan **1** dan pasangkan satu kunci pas **19** (ukuran mulut 14) pada pipi untuk kunci pas pada poros mesin. Letakkan perkakas listrik pada alas yang stabil, misalnya meja kerja. Tahankan kunci pas **19** dan lepaskan cekaman mata bor yang dikunci dan dibuka dengan tangan **1** dengan cara memutar kunci mur dalam **18** dalam arah putar **1**. Cekaman mata bor yang dikunci dan dibuka dengan tangan yang terlalu kencang duduknya dilepaskan dengan cara memukul secara ringan pada gagang panjang dari kunci mur dalam **18**. Singkirkan kunci mur dalam dari cekaman mata bor yang dikunci dan dibuka dengan tangan dan putarkan cekaman mata bor yang dikunci dan dibuka dengan tangan sampai lepas sama sekali.

Memasang cekaman mata bor (lihat gambar F)

Cara memasang cekaman mata bor yang dikunci dan dibuka dengan tangan adalah dalam urutan terbalik dari cara melepaskannya.



Cekaman mata bor harus dikencangkan dengan momen kunci baut sebesar kira-kira 30 – 35 Nm.

Ulirkan sekrap pengaman **17** dalam arah putaran yang berlawanan dengan jalannya jarum jam ke dalam cekaman mata bor yang dikunci dan dibuka dengan tangan yang terbuka. Gunakanlah selalu sekrap pengaman yang baru, karena pada ulirnya ada bahan perekat yang teroles, yang tidak bermanfaat lagi jika sekrap digunakan untuk beberapa kali.

Penghisapan debu/serbuk

- ▶ Debu dari bahan-bahan seperti misalnya cat yang mengandung timbel (timah hitam), beberapa jenis kayu, bahan mineral dan logam bisa berbahaya bagi kesehatan. Menyentuh atau menghirup debu-debu ini bisa

mengakibatkan reaksi alergi dan/atau penyakit saluran pernafasan dari orang yang menggunakan mesin atau orang yang berada di dekatnya. Beberapa debu tertentu seperti misalnya debu kayu pohon quercus atau pohon fagus silvatica dianggap bisa mengakibatkan penyakit kanker, terutama dalam campuran dengan bahan-bahan tambahan untuk pengolahan kayu (kromat, obat pengawet kayu). Bahan-bahan yang mengandung asbestos hanya boleh dikerjakan oleh orang-orang yang ahli.

- Perhatikanlah supaya ada pertukaran udara di tempat kerja.
- Kami anjurkan supaya Anda memakai kedok anti debu dengan saringan (filter) kelas P2.

Taatilah peraturan-peraturan untuk bahan-bahan yang dikerjakan yang berlaku di negara Anda.

- ▶ **Hindari debu yang banyak terkumpul di tempat kerja.** Debu dapat menyulut dengan mudahnya.

Penggunaan**Cara penggunaan**

- ▶ **Perhatikan tegangan jaringan listrik! Tegangan jaringan listrik harus sesuai dengan tegangan listrik yang tercantum pada label tipe perkakas listrik.**

Menyetel arah putaran (GSB 20-2 RE)

- ▶ **Omsakelar arah putaran 8 hanya boleh digerakkan selama perkakas listrik tidak berjalan.**

Dengan omsakelar arah putaran **8** Anda bisa merubah arah putaran dari perkakas listrik. Akan tetapi ini tidak mungkin jika tombol untuk menghidupkan dan mematikan mesin **6** sedang ditekan.

Putaran ke kanan: Untuk membore dan memutar masuk sekrap, tekan omsakelar arah putaran **8** ke kanan sampai batas.

Putaran ke kiri: Untuk melepaskan atau memutar ke luar sekrap dan mur, tekan omsakelar arah putaran **8** ke kiri sampai batas.

Menyetel macam pekerjaan**Membor dan menyekrup**

Setelkan sakelar untuk menyatel „tanpa getaran/dengan getaran“ **4** pada simbol „membor tanpa getaran“.

**Membor dengan getaran**

Setelkan sakelar untuk menyatel „tanpa getaran/dengan getaran“ **4** pada simbol „membor dengan getaran“.

Sakelar untuk menyatel „tanpa getaran/dengan getaran“ **4** terasa mengancing dan bisa digerakkan juga selama motor perkakas listrik sedang hidup.

Memilih tingkatan putaran secara mekanis

- ▶ **Anda bisa menggerakkan sakelar untuk memilih tingkatan putaran 9 pada perkakas listrik yang sedang berjalan perlahan. Akan tetapi ini tidak bisa dilakukan**

jika perkakas listrik dalam keadaan mati, pada pembebanan tinggi atau kecepatan putaran maksimal.

Dengan sakelar **9** bisa disetelkan 2 bidang tingkatan putaran sebelumnya.

Gigi ke I:

Bidang kecepatan putaran rendah; untuk pekerjaan dengan diameter mata bor yang besar atau menyekrup.

Gigi ke II:

Bidang kecepatan putaran tinggi; untuk pekerjaan dengan diameter mata bor yang kecil.

Jika sakelar untuk memilih tingkatan putaran **9** tidak bisa diputar sampai batas, putarkan sedikit sumbu penggerak dengan mata bor.

Menghidupkan/mematikan

Untuk **menghidupkan**, tekan tombol untuk menghidupkan dan mematikan **6** dan tahan tekanan.

Untuk **mengunci** tombol untuk menghidupkan dan mematikan **6** yang tertekan, tekan tombol pengunci **5**.

Untuk **mematikan**, lepaskan tombol untuk menghidupkan dan mematikan **6** atau jika dikunci dengan tombol pengunci **5**, tekan sebentar tombol **6** dan lepaskan.

Menyetel kecepatan putaran/banyaknya getaran (GSB 20-2 RE)

Anda bisa mengatur kecepatan putaran/ banyaknya getaran pada perkakas listrik yang sedang berjalan tanpa tingkatan, dengan cara menambah atau mengurangi tekanan pada tombol untuk menghidupkan dan mematikan **6**.

Tekanan yang ringan pada tombol untuk menghidupkan dan mematikan **6** mengakibatkan kecepatan putaran yang rendah/banyaknya getaran yang sedikit. Jika tekanan ditambah, kecepatan putaran/banyaknya getaran bertambah pula.

Penyetelan pendahuluan kecepatan putaran/banyaknya getaran (GSB 20-2 RE)

Dengan roda untuk penyetelan pendahuluan kecepatan putaran **7**, Anda bisa menyetelkan kecepatan putaran/banyaknya getaran yang dibutuhkan, juga selama perkakas listrik sedang berputar.

Kecepatan putaran/banyaknya getaran yang dibutuhkan tergantung dari bahan yang dikerjakan dan macam pekerjaan dan bisa didapatkan dengan melakukan uji coba sebelumnya.

Petunjuk-petunjuk untuk pemakaian

- ▶ **Pasangkan perkakas listrik pada mur/sekrup hanya jika perkakas listrik dalam keadaan mati.** Alat kerja-alat kerja yang berputar bisa meleset.

Setelah perkakas listrik digunakan untuk waktu yang lama dengan kecepatan putaran yang rendah, perkakas listrik didinginkan dengan cara membiarkan perkakas listrik berputar tanpa beban pada kecepatan putaran maksimum kira-kira selama 3 menit.

Untuk membor batu ubin/tegel, setelkan sakelar **4** pada simbol „membor“ (tanpa getaran). Baru setelah ubin tembus, sakelar disetelkan pada simbol „membor dengan getaran“ dan lanjutkan pekerjaan dengan getaran.

Jika mengerjakan beton, batu-batuan dan tembok, pakailah mata bor baja intan.

Untuk pemboran dalam logam, gunakanlah hanya mata bor HSS (HSS = High Speed Steel, baja cepat) yang mulus dan telah diasah. Mutu ini dipenuhi oleh program aksesoris dari Bosch.

Dengan alat pengasah mata bor (aksesori), Anda bisa mengasah mata bor spiral dengan garis tengah 2.5 – 10 mm tanpa kesulitan.

Rawatan dan servis

Rawatan dan kebersihan

- ▶ **Sebelum mulai dengan pekerjaan pada perkakas listrik, tariklah steker dari stopkontak.**
- ▶ **Perkakas listrik dan lubang ventilasi harus selalu dibersihkan supaya perkakas bisa digunakan dengan baik dan aman.**

Jika kabel listrik harus digantikan, pekerjaan ini harus dilakukan oleh Bosch atau Service Center untuk perkakas listrik Bosch yang resmi, supaya keselamatan kerja selalu terjamin.

Jika pada suatu waktu perkakas listrik ini tidak bisa berjalan meskipun telah diproduksi dan diperiksa dengan seksama, maka reparasinya harus dilakukan oleh Service Center perkakas listrik Bosch yang resmi.

Jika Anda hendak menanyakan sesuatu atau memesan suku cadang, sebutkan selalu nomor model yang terdiri dari 10 angka dan tercantum pada label tipe perkakas.

Layanan pasca beli dan konseling terkait pengoperasian

Layanan pasca beli Bosch menjawab semua pertanyaan Anda terkait reparasi dan maintenance serta suku cadang produk ini. Gambar tiga dimensi dan informasi terkait suku cadang dapat Anda lihat di:

www.bosch-pt.com

Tim konseling pengoperasian dari Bosch dengan senang hati membantu Anda, jika Anda hendak bertanya tentang produk-produk kami dan aksesorisnya.

Indonesia

PT Robert Bosch
Palma Tower 9th & 10th Floor
Jl. Let. Jend. TB Simatupang II S/06
Jakarta Selatan 12960
Indonesia
Tel.: (021) 3005 6565
Fax: (021) 3005 5801
E-Mail: boschpowertools@id.bosch.com
www.bosch-pt.co.id

Cara membuang

Perkakas listrik, aksesoris dan kemasan sebaiknya didaur ulang sesuai dengan upaya untuk melindungi lingkungan hidup.

Janganlah membuang perkakas listrik dalam sampah rumah tangga!

Perubahan dapat terjadi tanpa pemberitahuan sebelumnya.

Tiếng Việt

Các Nguyên Tắc An Toàn

Cảnh báo tổng quát cách sử dụng an toàn dụng cụ điện cầm tay

⚠ CẢNH BÁO Đọc kỹ mọi cảnh báo an toàn và hướng dẫn. Không tuân thủ mọi cảnh báo và hướng dẫn được liệt kê dưới đây có thể bị điện giật, gây cháy và/hay bị thương tật nghiêm trọng.

Hãy giữ tất cả tài liệu về cảnh báo và hướng dẫn để tham khảo về sau.

Thuật ngữ “dụng cụ điện cầm tay” trong phần cảnh báo là để cập đến sự sử dụng dụng cụ điện cầm tay của bạn, loại sử dụng điện nguồn (có dây cắm điện) hay vận hành bằng pin (không dây cắm điện).

Khu vực làm việc an toàn

- ▶ **Giữ nơi làm việc sạch và đủ ánh sáng.** Nơi làm việc bừa bộn và tối tăm dễ gây ra tai nạn.
- ▶ **Không vận hành dụng cụ điện cầm tay trong môi trường dễ gây nổ, chẳng hạn như nơi có chất lỏng dễ cháy, khí đốt hay rác.** Dụng cụ điện cầm tay tạo ra các tia lửa nên có thể làm rác bén cháy hay bốc khói.
- ▶ **Không để trẻ em hay người đến xem đứng gần khi vận hành dụng cụ điện cầm tay.** Sự phân tâm có thể gây ra sự mất điều khiển.

An toàn về điện

- ▶ **Phích cắm của dụng cụ điện cầm tay phải thích hợp với ổ cắm.** Không bao giờ được cài biến lại phích cắm dưới mọi hình thức. Không được sử dụng phích tiếp hợp nối tiếp đất (dây mát). Phích cắm nguyên bản và ổ cắm đúng loại sẽ làm giảm nguy cơ bị điện giật.
- ▶ **Tránh không để thân thể tiếp xúc với đất hay các vật có bề mặt tiếp đất như đường ống, lò sưởi, hàng rào và tủ lạnh.** Có nhiều nguy cơ bị điện giật hơn nếu cơ thể bạn bị tiếp hay nối đất.
- ▶ **Không được để dụng cụ điện cầm tay ngoài mưa hay ở tình trạng ẩm ướt.** Nước vào máy sẽ làm tăng nguy cơ bị điện giật.
- ▶ **Không được lạm dụng dây dẫn điện.** Không bao giờ được nắm dây dẫn để xách, kéo hay rút phích cắm dụng cụ điện cầm tay. Không để dây gần nơi có nhiệt độ cao, dầu nhớt, vật nhọn bén hay bộ phận chuyển động. Làm hỏng hay cuộn rối dây dẫn làm tăng nguy cơ bị điện giật.
- ▶ **Chỉ sử dụng dụng cụ điện cầm tay ngoài trời, dùng dây nối thích hợp cho việc sử dụng**

ngoài trời. Sử dụng dây nối thích hợp cho việc sử dụng ngoài trời làm giảm nguy cơ bị điện giật.

- ▶ **Nếu việc sử dụng dụng cụ điện cầm tay ở nơi ẩm ướt là không thể tránh được, dùng thiết bị ngắt mạch tự động (RCD) bảo vệ nguồn.** Sử dụng thiết bị ngắt mạch tự động RCD làm giảm nguy cơ bị điện giật.

An toàn cá nhân

- ▶ **Hãy tỉnh táo, biết rõ mình đang làm gì và hãy sử dụng ý thức khi vận hành dụng cụ điện cầm tay.** Không sử dụng dụng cụ điện cầm tay khi đang mệt mỏi hay đang bị tác động do chất gây nghiện, rượu hay dược phẩm gây ra. Một thoáng mất tập trung khi đang vận hành dụng cụ điện cầm tay có thể gây thương tích nghiêm trọng cho bản thân.
 - ▶ **Sử dụng trang bị bảo hộ cá nhân. Luôn luôn đeo kính bảo vệ mắt.** Trang bị bảo hộ như khẩu trang, giày chống trượt, nón bảo hộ, hay dụng cụ bảo vệ tai khi được sử dụng đúng nơi đúng chỗ sẽ làm giảm nguy cơ thương tật cho bản thân.
 - ▶ **Phòng tránh máy khởi động bất ngờ. Bảo đảm công tắc máy ở vị trí tắt trước khi cắm vào nguồn điện và/hay lắp pin vào, khi nhắc máy lên hay khi mang xách máy.** Ngáng ngón tay vào công tắc máy để xách hay kích hoạt dụng cụ điện cầm tay khi công tắc ở vị trí mở dễ dẫn đến tai nạn.
 - ▶ **Lấy mọi chìa hay khóa điều chỉnh ra trước khi mở điện dụng cụ điện cầm tay.** Khóa hay chìa còn gắn dính vào bộ phận quay của dụng cụ điện cầm tay có thể gây thương tích cho bản thân.
 - ▶ **Không rướn người. Luôn luôn giữ tư thế đúng thích hợp và thăng bằng.** Điều này tạo cho việc điều khiển dụng cụ điện cầm tay tốt hơn trong mọi tình huống bất ngờ.
 - ▶ **Trang phục thích hợp. Không mặc quần áo rộng lủng thụng hay mang trang sức. Giữ tóc, quần áo và găng tay xa khỏi các bộ phận chuyển động.** Quần áo rộng lủng thụng, đồ trang sức hay tóc dài có thể bị cuốn vào các bộ phận chuyển động.
 - ▶ **Nếu có các thiết bị đi kèm để nối máy hút bụi và các phụ kiện khác, bảo đảm các thiết bị này được nối và sử dụng tốt.** Việc sử dụng các thiết bị gom hút bụi có thể làm giảm các độc hại liên quan đến bụi gây ra.
- Sử dụng và bảo dưỡng dụng cụ điện cầm tay**
- ▶ **Không được ép máy. Sử dụng dụng cụ điện cầm tay đúng loại theo đúng ứng dụng của bạn.** Dụng cụ điện cầm tay đúng chức năng sẽ làm việc tốt và an toàn hơn theo đúng tiến độ mà máy được thiết kế.

- ▶ **Không sử dụng dụng cụ điện cầm tay nếu như công tắc không tắt và mở được.** Bất kỳ dụng cụ điện cầm tay nào mà không thể điều khiển được bằng công tắc là nguy hiểm và phải được sửa chữa.
- ▶ **Rút phích cắm ra khỏi nguồn điện và/hay pin ra khỏi dụng cụ điện cầm tay trước khi tiến hành bất kỳ điều chỉnh nào, thay phụ kiện, hay cất dụng cụ điện cầm tay.** Các biện pháp ngăn ngừa như vậy làm giảm nguy cơ dụng cụ điện cầm tay khởi động bất ngờ.
- ▶ **Cất giữ dụng cụ điện cầm tay không dùng tới nơi trẻ em không lấy được và không cho người chưa từng biết dụng cụ điện cầm tay hay các hướng dẫn này sử dụng dụng cụ điện cầm tay.** Dụng cụ điện cầm tay nguy hiểm khi ở trong tay người chưa được chỉ cách sử dụng.
- ▶ **Bảo quản dụng cụ điện cầm tay.** Kiểm tra xem các bộ phận chuyển động có bị sai lệch hay kẹt, các bộ phận bị rạn nứt và các tình trạng khác có thể ảnh hưởng đến sự vận hành của máy. Nếu bị hư hỏng, phải sửa chữa máy trước khi sử dụng. Nhiều tai nạn xảy ra do bảo quản dụng cụ điện cầm tay tồi.
- ▶ **Giữ các dụng cụ cắt bén và sạch.** Bảo quản đúng cách các dụng cụ cắt có cạnh cắt bén làm giảm khả năng bị kẹt và dễ điều khiển hơn.
- ▶ **Sử dụng dụng cụ điện cầm tay, phụ kiện, đầu cài v. v., đúng theo các chỉ dẫn này, hãy lưu ý đến điều kiện làm việc và công việc phải thực hiện.** Sử dụng dụng cụ điện cầm tay khác với mục đích thiết kế có thể tạo nên tình huống nguy hiểm.

Bảo dưỡng

- ▶ **Đưa dụng cụ điện cầm tay của bạn đến thợ chuyên môn để bảo dưỡng, chỉ sử dụng phụ tùng đúng chủng loại để thay.** Điều này sẽ đảm bảo sự an toàn của máy được giữ nguyên.

Cảnh Báo An Toàn Việc Sử Dụng Khoan

- ▶ **Hãy mang dụng cụ bảo vệ tai khi khoan với chế độ đập.** Phơi nhiễm tiếng ồn có thể làm cho tai bị điếc.
- ▶ **Hãy sử dụng tay nắm phụ, nếu như được giao kèm với dụng cụ.** Sự mất điều khiển có thể gây thương tích cho bản thân.
- ▶ **Nắm giữ dụng cụ điện nơi phần nắm cách điện khi thực hiện việc gia công nơi dụng cụ cắt có thể chạm vào dây điện không nhìn thấy được hay chính dây của máy.** Dụng cụ cắt chạm phải dây có điện có thể làm cho các bộ phận kim loại không được bao bọc có điện và giật người vận hành máy.

- ▶ **Dùng thiết bị dò tìm thích hợp để xác định nếu có các công trình công cộng lắp đặt ngầm trong khu vực làm việc hay liên hệ với Cty công trình Công cộng địa phương để nhờ hỗ trợ.** Dụng cụ chạm đường dẫn điện có thể gây ra hỏa hoạn và điện giật. Làm hư hại đường dẫn khí ga có thể gây nổ. Làm thủng đường dẫn nước gây hư hỏng tài sản hay có khả năng gây ra điện giật.
- ▶ **Tắt máy ngay lập tức khi dụng cụ lắp vào máy đột nhiên bị nghẽn chặt. Để phòng lực vận mạnh có thể được tạo ra do sự giật ngược.**
Dụng cụ lắp vào có thể bị nghẽn chặt khi:
 - dụng cụ điện cầm tay bị quá tải hay
 - bị chèn chặt trong vật gia công.
- ▶ **Khi sử dụng máy, luôn luôn giữ chặt máy bằng cả hai tay và tạo tư thế đứng vững chắc.** Dụng cụ điện cầm tay vận hành an toàn hơn khi dùng cả hai tay.
- ▶ **Kẹp chặt vật gia công.** Vật gia công được kẹp bằng một thiết bị kẹp hay bằng êtô thì vững chắc hơn giữ bằng tay.
- ▶ **Luôn luôn đợi cho máy hoàn toàn ngừng hẳn trước khi đặt xuống.** Dụng cụ lắp vào máy có thể bị kẹp chặt dẫn đến việc dụng cụ điện cầm tay bị mất điều khiển.
- ▶ **Không bao giờ được sử dụng máy có dây dẫn bị hỏng. Không được chạm vào dây dẫn bị hỏng và kéo phích cắm điện nguồn ra trong lúc vận hành mà dây dẫn bị hỏng.** Dây dẫn bị hỏng làm tăng nguy cơ bị điện giật.

Mô Tả Sản Phẩm và Đặc Tính Kỹ Thuật



Đọc kỹ mọi cảnh báo an toàn và mọi hướng dẫn. Không tuân thủ mọi cảnh báo và hướng dẫn được liệt kê dưới đây có thể bị điện giật, gây cháy và/hay bị thương tật nghiêm trọng.

Dành sử dụng cho

Máy khoan có chức năng đập được thiết kế để khoan gạch, bê-tông và đá cũng như để khoan gỗ, kim loại và nhựa. Máy có trang bị bộ phận điều khiển điện tử và quay được chiều phải/trái cũng thích hợp cho việc bắt vít hay bắt ren.

Biểu trưng của sản phẩm

Sự đánh số các biểu trưng của sản phẩm là để tham khảo hình minh họa của máy trên trang hình ảnh.

- 1 Mâm cặp không dùng chia
- 2 Khớp vòng ngoài
- 3 Khớp vòng trong

38 | Tiếng Việt

- | | |
|--|---|
| <p>4 Gạc chọn chức năng "Khoan thường/Khoan đập"</p> <p>5 Núm khoá giữ chế độ tự-chạy của công tắc Tắt/Mở</p> <p>6 Công tắc Tắt/Mở</p> <p>7 Núm xoay để chọn trước tốc độ (GSB 20-2 RE)</p> <p>8 Gạc vận chuyển đổi chiều quay (GSB 20-2 RE)</p> <p>9 Bộ phận chọn vòng truyền động</p> <p>10 Bu-long tai hồng điều chỉnh cỡ chặn độ sâu</p> <p>11 Vít tai chuẩn để điều chỉnh tay nắm phụ</p> <p>12 Tay nắm phụ (có bề mặt nắm cách điện)*</p> <p>13 Cỡ định chiều sâu*</p> | <p>14 Tay nắm (bề mặt nắm cách điện)</p> <p>15 Đầu vít*</p> <p>16 Đầu nối phổ thông*</p> <p>17 Vít an toàn cho mâm cặp không dùng chìa</p> <p>18 Khóa lục giác Allen**</p> <p>19 Cờ-lê mở miệng**</p> |
|--|---|

*Phụ tùng được trình bày hay mô tả không phải là một phần của tiêu chuẩn hàng hóa được giao kèm theo sản phẩm. Bạn có thể tham khảo tổng thể các loại phụ tùng, phụ kiện trong chương trình phụ tùng của chúng tôi.

**Có bán trên thị trường (không nằm trong phạm vi được kèm theo máy khi giao hàng)

Thông số kỹ thuật

Khoan Đập	GSB 20-2	
	Professional	GSB 20-2 RE Professional
Mã số máy	0 601 184 2..	0 601 184 6..
Công suất vào danh định	W	701
Công suất ra	W	380
Tốc độ không tải		
- Vòng truyền lực thứ 1	v/p	1000
- Vòng truyền lực thứ 2	v/p	3000
Tốc độ danh định		
- Vòng truyền lực thứ 1	v/p	600
- Vòng truyền lực thứ 2	v/p	2200
Tần suất đập	bpm	48000
Lực vặn danh định		
- Vòng truyền lực thứ 1	Nm	5.1
- Vòng truyền lực thứ 2	Nm	5.1
Đường kính cổ trục	mm	43
Chọn Trước Tốc Độ		●
Quay Phải/Trái		●
Đường kính khoan tối đa		
- Bê-tông	mm	20
- Thép	mm	13
- Gỗ	mm	40
Phạm vi mâm cặp kẹp được	mm	1.5–13
Trọng lượng theo Qui trình EPTA-Procedure 01/2003 (chuẩn EPTA 01/2003)	kg	2.1
Cấp độ bảo vệ		□/II □/II
Các giá trị đã cho có hiệu lực cho điện thế danh định [U] 230 V. Đối với điện thế thấp hơn và các loại máy dành riêng cho một số quốc gia, các giá trị này có thể thay đổi.		

Sự lắp vào

- ▶ Trước khi tiến hành bất cứ việc gì trên máy, kéo phích cắm điện nguồn ra.

Tay nắm phụ (xem hình A)

- ▶ Chỉ vận hành máy của bạn khi đã gắn tay nắm phụ 12.

Tay nắm phụ 12 có thể chính đặt ở bất cứ vị trí nào mà tạo ra được sự an toàn và tư thế làm việc thoải mái nhất.

Vặn bu-long tai hồng điều chỉnh tay nắm phụ 11 theo chiều ngược chiều đồng hồ và chính đặt tay nắm phụ 12 ở vào vị trí theo yêu cầu. Sau đó siết chặt bu-long tai hồng 11 lại theo chiều đồng hồ.

Điều chỉnh Cờ Sâu Khoan

Cờ sâu muốn khoan **X** có thể chỉnh đặt bằng cờ định độ sâu **13**.

Nới lỏng bu-long tại hồng điều chỉnh cờ chặn độ sâu **10** và lắp cờ định độ sâu vào trong tay nắm phụ **12**.

Bề mặt có khía của cờ định độ sâu **13** phải được đặt ngửa lên.

Kéo cờ định độ sâu ra cho đến khi khoảng cách giữa đầu mũi khoan và đầu cờ định độ sâu thích ứng với chiều sâu lỗ khoan muốn có **X**.

Siết chặt bu-long tại hồng điều chỉnh cờ chặn độ sâu lại **10** như trước.

Thay Dụng Cụ

Mâm Cặp Không Dùng Khóa (xem hình B)

Giữ chặt khớp vòng trong **3** của mâm cặp không dùng chìa **1** và vận khớp vòng ngoài **2** theo chiều quay **⚙**, cho đến khi có thể lắp dụng cụ vào. Lắp dụng cụ vào.

Kiểm giữ vòng trong **3** của mâm cặp không dùng chìa **1** thật chắc và vận mạnh vòng ngoài **2** theo chiều quay **⚙** bằng tay cho đến khi không còn nghe thấy tiếng của động tác khóa nữa. Thao tác này tự động khóa mâm cặp khoan lại.

Động tác khóa được giải phóng để lấy dụng cụ ra khi khớp vòng ngoài **2** được vận theo chiều ngược lại.

Dụng Cụ Bất Vít (GSB 20-2 RE) (xem hình C)

Khi làm việc với các mũi vít **15**, luôn luôn nên sử dụng **16** loại đầu nối phổ thông. Chỉ dùng mũi vít vào khớp với đầu vít.

Để bắt vít vào, luôn luôn đặt vị trí gạt chọn "Khoan thường/Khoan Đập" **4** về biểu tượng "Khoan thường".

Thay Mâm Cặp Khoan

Tháo Vít An Toàn (xem hình D)

Mâm cặp không dùng chìa **1** được bắt chắc vào bằng vít an toàn **17** để ngăn ngừa không bị tuột ra khỏi trục khoan ngoài chủ ý. Mở bung hết mâm cặp không dùng chìa **1** và tháo vít an toàn **17** ra theo chiều quay **⚙**. **Xin lưu ý rằng vít an toàn có ren nằm bên trái.**

Nếu vít an toàn **17** nằm dính quá chặt, tra tuốc vít vào đầu vít và tháo lỏng vít an toàn ra bằng cách động mạnh vào chuôi tuốc vít.

Lấy Mâm Cặp Khoan Ra (xem hình E)

Để tháo mâm cặp không dùng chìa **1**, tra chìa vận sáu cạnh **18** vào trong mâm cặp không dùng chìa để kiểm chặt lại **1**, và tra chìa vận mở miệng **19** (cỡ 14 mm) áp sát vào phần má det của trục truyền động. Đặt máy lên trên một mặt kê đỡ vững chắc, vd., bàn thợ. Giữ chìa vận mở miệng **19** thật chắc và tháo lỏng mâm cặp không dùng chìa **1** bằng cách

vận chìa vận sáu cạnh **18** theo chiều quay **⚙**. Làm long mâm cặp không dùng chìa đang dính sát ra bằng cách đập lên phần chuôi dài của chìa vận sáu cạnh **18**. Tháo chìa vận sáu cạnh ra khỏi mâm cặp khoan không dùng chìa và tháo mâm cặp khoan ra hẳn.

Gắn Mâm Cặp Khoan vào (xem hình F)

Gắn mâm cặp dùng chìa theo thứ tự ngược lại.



Mâm cặp khoan phải được siết chặt với lực vận vào khoảng 30 – 35 Nm.

Vặn vít lắp bắt cố định **17** nằm bên trong mâm cặp không dùng chìa đã được mở ngược chiều kim đồng hồ. Luôn luôn sử dụng vít lắp bắt cố định mới, vì các vòng ren được phủ một chất kết dính hỗn hợp đã hết tác dụng do sử dụng nhiều lần.

Hút Dăm/Bụi

▶ Mạt bụi từ các vật liệu sơn phủ ngoài có chứa chì trên một số loại gỗ, khoáng vật và kim loại có thể gây nguy hại đến sức khỏe con người. Đụng chạm hay hít thở các bụi này có thể làm người sử dụng hay đứng gần bị dị ứng và/hoặc gây nhiễm trùng hệ hô hấp.

Một số mạt bụi cụ thể, ví dụ như bụi gỗ sỏi hay dầu, được xem là chất gây ung thư, đặc biệt là có liên quan đến các chất phụ gia dùng xử lý gỗ (chất cromat, chất bảo quản gỗ). Có thể chỉ nên để thợ chuyên môn gia công các loại vật liệu có chứa amiăng.

- Tạo không khí thông thoáng nơi làm việc.
- Khuyến nghị nên mang mặt nạ phòng độc có bộ lọc cấp P2.

Tuân thủ các qui định của quốc gia bạn liên quan đến loại vật liệu gia công.

▶ **Tránh không để rác tích tụ tại nơi làm việc.** Rác có thể dễ dàng bắt lửa.

Vận Hành

Bắt Đầu Vận Hành

▶ **Tuân thủ theo đúng điện thế! Điện thế nguồn phải đúng với điện thế đã ghi rõ trên nhãn máy.**

Đảo Chiều Quay (GSB 20-2 RE)

▶ **Khởi động gạt chỉ chiều quay 8 chỉ khi máy đã hoàn toàn dừng hẳn.**

Gạt chuyển đổi chiều quay **8** được sử dụng để đảo lại chiều quay của máy. Tuy nhiên, việc này không thể thực hiện được cùng lúc với công tắc Tắt/Mở **6** đang hoạt động.

Chiều quay phải: Nhấn gạt chỉ chiều quay **8** về hết bên phải (để khoan thường và bắt vít).

40 | Tiếng Việt

Chiều quay trái: Nhấn gạt chỉ chiều quay **8** về hết bên trái (để tháo và nối lỏng vít và đai ốc).

Chỉnh Đặt Phương Thức Hoạt Động



Khoan Thường và Vặn Vít

Chỉnh đặt gạt chọn **4** về biểu tượng "Khoan thường".



Khoan Đập

Chỉnh đặt gạt chọn chức năng **4** về biểu tượng "Khoan Đập".

Gạt chọn chức năng **4** ăn khớp vào guồng máy có thể nhận biết được và cũng có thể kích hoạt được cả khi máy đang chạy.

Sự chọn lực Truyền động, Cơ học

► **Gạt chọn vòng truyền động 9 có thể kích hoạt khi máy chạy ở tốc độ thấp. Tuy nhiên, không nên làm điều này khi máy đã dừng, khi đang gia tải hết công suất hay đang chạy ở tốc độ tối đa.**

Có thể chọn trước hai tầm tốc độ bằng bộ phận chọn lực truyền động **9**.

Vòng truyền động I:

Tốc độ ở tầm thấp; để thao tác với đường kính khoan lớn hay để bắt vít.

Vòng truyền động II:

Tốc độ ở tầm cao; để thao tác với đường kính khoan nhỏ.

Nếu bộ phận chọn lực truyền động **9** không thể ăn khớp hoàn toàn, xoay nhẹ trục dẫn động có lắp mũi khoan bằng cách vận mâm cặp khoan.

Bật Mở và Tắt

Để khởi **động máy**, nhấn công tắc Tắt/Mở **6** và nhấn giữ xuống.

Để khóa, **nhấn** công tắc Tắt/Mở **6**, nhấn nút khóa tự-chạy **5** vào.

Để **tắt máy**, nhả công tắc Tắt/Mở **6** ra hay khi công tắc đã được khóa bằng nút khóa tự-chạy **5**, nhấn nhanh công tắc Tắt/Mở **6** và rời nhả ra.

Điều chỉnh Tốc Độ/Tần suất Đập (GSB 20-2 RE)

Có thể điều chỉnh thay đổi tốc độ/tần suất đập của dụng cụ điện đang hoạt động, tùy theo mức độ công tắc Tắt/Mở **6** được bóp vào.

Lực áp nhẹ lên công tắc Tắt/Mở **6** tạo ra tốc độ thấp/tần suất đập thưa. Lực áp mạnh hơn lên công tắc làm tăng tốc độ và tần suất đập.

Chọn trước Tốc độ/Tần suất Đập (GSB 20-2 RE)

bằng núm xoay chọn trước tốc độ **7**, tốc độ/tần suất đập mà ta muốn có, có thể định trước được ngay cả khi đang vận hành máy.

Tốc độ cần có/tần suất đập tùy thuộc vào vật liệu và các điều kiện làm việc, và có thể xác định được thông qua việc chạy thử nghiệm thực tế.

Hướng Dẫn Sử Dụng

► **Tra dụng cụ điện cầm tay vào vít/đai ốc chỉ khi đã tắt công tắc.** Dụng cụ gắn trong máy đang xoay có thể trượt ra ngoài.

Sau thời gian dài vận hành máy liên tục ở tốc độ thấp, để làm máy nguội xuống, cho máy chạy không tải với tốc độ tối đa trong khoảng 3 phút.

Để khoan ngói, chỉnh đặt gạt chọn **4** về biểu tượng "Khoan thường". Không được gạt sang biểu tượng "Khoan Đập" hay thao tác với chế độ đập cho đến khi đã khoan xuyên qua ngói.

Dùng mũi khoan đầu cacbua khi khoan bê-tông, nơi có kết cấu nề và tường gạch.

Để khoan kim loại, chỉ nên dùng mũi khoan thép gió HSS thật sắc bén (HSS = thép tốc độ cao). Chất lượng đáp ứng chuẩn được đảm bảo trong chương trình phụ kiện của Bosch.

Mũi khoan xoắn ốc từ 2.5–10 mm có thể dễ dàng mài bén lại bằng dụng cụ mài mũi khoan (xem phần phụ kiện).

Bảo Dưỡng và Bảo Quản

Bảo Dưỡng Và Làm Sạch

- **Trước khi tiến hành bất cứ việc gì trên máy, kéo phích cắm điện nguồn ra.**
- **Để được an toàn và máy hoạt động đúng chức năng, luôn luôn giữ máy và các khe thông gió được sạch.**

Nếu như cần phải thay dây dẫn điện thì công việc này phải do hãng Bosch, hay một đại lý được Bosch ủy nhiệm thực hiện để tránh gặp sự nguy hiểm do mất an toàn.

Nếu giả như máy bị trục trặc dù đã được theo dõi cẩn thận trong quá trình sản xuất và đã qua chạy kiểm tra, sự sửa chữa phải do trung tâm bảo hành-bảo trì dụng cụ điện cầm tay Bosch thực hiện.

Trong mọi thư từ giao dịch và đơn đặt hàng phụ tùng, xin vui lòng luôn viết đủ 10 con số đã được ghi trên nhãn máy.

Dịch Vụ Sau Khi Bán và Dịch Vụ Ứng Dụng

Bộ phận phục vụ hàng sau khi bán của chúng tôi sẽ trả lời các câu hỏi liên quan đến việc bảo trì và sửa chữa các sản phẩm cũng như các phụ tùng thay thế của bạn. Hình ảnh chi tiết và thông tin phụ tùng thay thế có thể tìm hiểu theo địa chỉ dưới đây:

www.bosch-pt.com

Bộ phận dịch vụ ứng dụng Bosch sẽ hân hạnh trả lời các câu hỏi liên quan đến các sản phẩm của chúng tôi và linh kiện của chúng.

Việt Nam

Công ty Trách Nhiệm Hữu Hạn Robert Bosch
Việt Nam, PT/SVN
Tầng 10, 194 Golden Building
473 Điện Biên Phủ
Phường 25, Quận Bình Thạnh
Thành Phố Hồ Chí Minh
Việt Nam
Tel.: (08) 6258 3690 Ext 413
Fax: (08) 6258 3692
hieu.lagia@vn.bosch.com
www.bosch-pt.com

Thải bỏ

Máy, linh kiện và bao bì phải được phân loại để tái chế theo hướng thân thiện với môi trường.

Không được thải bỏ dụng cụ điện vào chung với rác sinh hoạt!

Được quyền thay đổi nội dung mà không phải thông báo trước.