

Robert Bosch Power Tools GmbH
70538 Stuttgart
GERMANY

www.bosch-pt.com

1 609 92A 38G (2016.10) T / 40



1 609 92A 38G

GSG 300 Professional

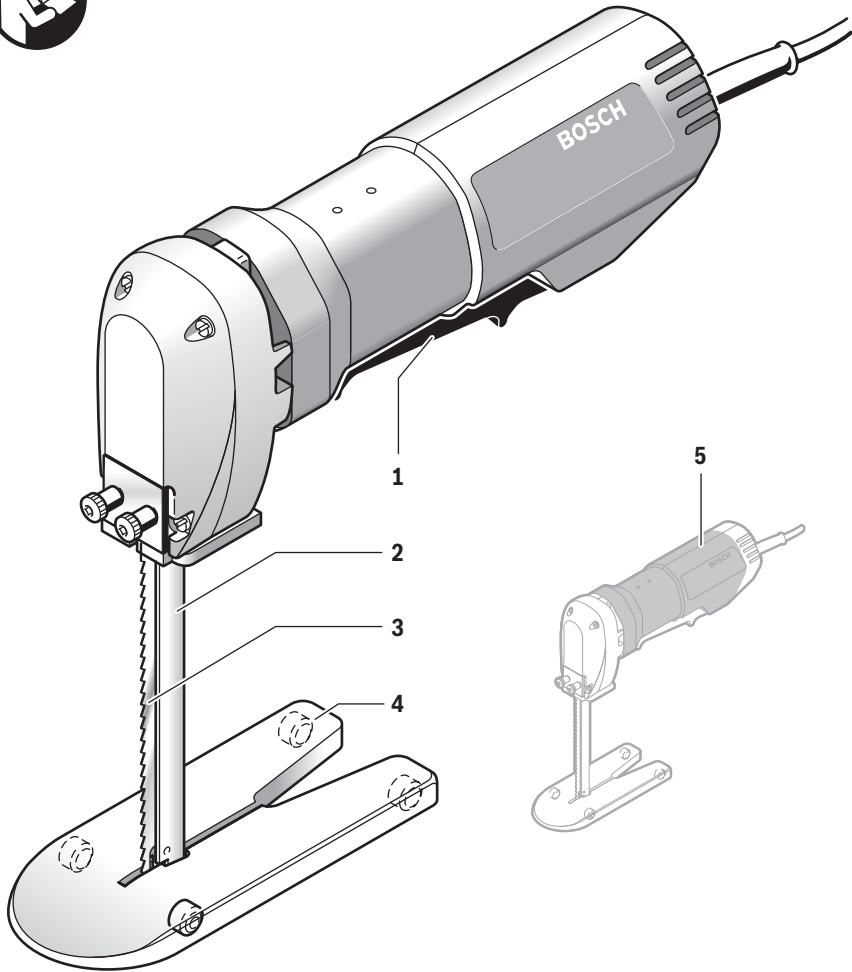


en Original instructions
cn 正本使用说明书
tw 原始使用說明書
ko 사용 설명서 원본
th หนังสือคู่มือการใช้งานฉบับต้นแบบ

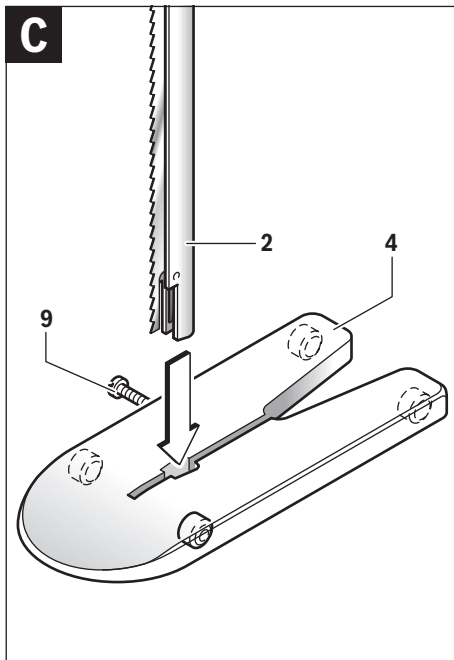
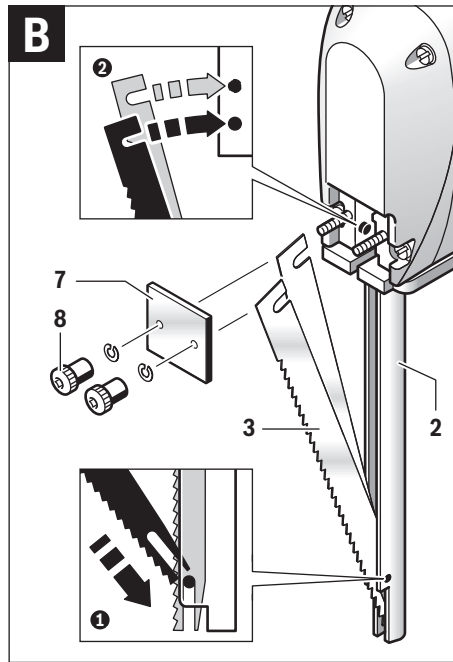
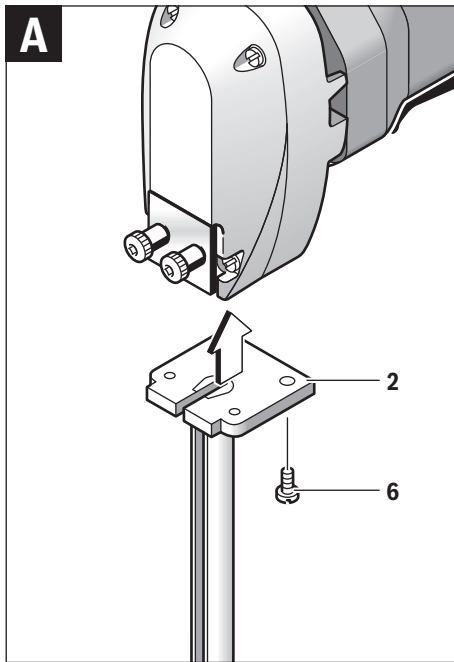
id Petunjuk-Petunjuk untuk Penggunaan Orisinal
vi Bản gốc hướng dẫn sử dụng
fr Notice originale
ar تعليمات التشغيل الأصلية
fa دفترچه راهنمای اصلی

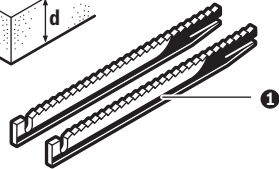
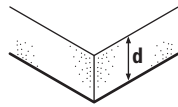


English	Page	6
中文	页	10
中文	頁	13
한국어	페이지	15
ภาษาไทย.....	หน้า	18
Bahasa Indonesia	Halaman	21
Tiếng Việt.....	Trang	25
Français	Page	28
عربي	صفحة	35
فارسی	صفحه	39

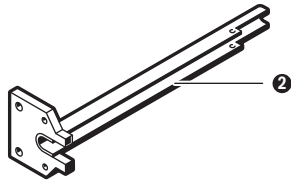


GSG 300





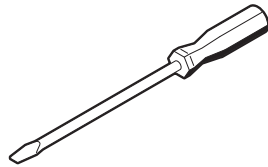
- ① 2 607 018 013 (d < 70 mm)
- ② 2 608 135 023



- ① 2 607 018 010 (d < 130 mm)
- ② 2 608 135 020

- ① 2 607 018 011 (d < 200 mm)
- ② 2 608 135 021

- ① 2 607 018 012 (d < 300 mm)
- ② 2 608 135 022



1 609 200 265

English

Safety Notes

General Power Tool Safety Warnings

⚠ WARNING Read all safety warnings and all instructions. Failure to follow the warnings and instructions may result in electric shock, fire and/or serious injury.

Save all warnings and instructions for future reference.

The term "power tool" in the warnings refers to your mains-operated (corded) power tool or battery-operated (cordless) power tool.

Work area safety

- ▶ **Keep work area clean and well lit.** Cluttered or dark areas invite accidents.
- ▶ **Do not operate power tools in explosive atmospheres, such as in the presence of flammable liquids, gases or dust.** Power tools create sparks which may ignite the dust or fumes.
- ▶ **Keep children and bystanders away while operating a power tool.** Distractions can cause you to lose control.

Electrical safety

- ▶ **Power tool plugs must match the outlet. Never modify the plug in any way. Do not use any adapter plugs with earthed (grounded) power tools.** Unmodified plugs and matching outlets will reduce risk of electric shock.
- ▶ **Avoid body contact with earthed or grounded surfaces, such as pipes, radiators, ranges and refrigerators.** There is an increased risk of electric shock if your body is earthed or grounded.
- ▶ **Do not expose power tools to rain or wet conditions.** Water entering a power tool will increase the risk of electric shock.
- ▶ **Do not abuse the cord. Never use the cord for carrying, pulling or unplugging the power tool. Keep cord away from heat, oil, sharp edges and moving parts.** Damaged or entangled cords increase the risk of electric shock.
- ▶ **When operating a power tool outdoors, use an extension cord suitable for outdoor use.** Use of a cord suitable for outdoor use reduces the risk of electric shock.
- ▶ **If operating a power tool in a damp location is unavoidable, use a residual current device (RCD) protected supply.** Use of an RCD reduces the risk of electric shock.

Personal safety

- ▶ **Stay alert, watch what you are doing and use common sense when operating a power tool. Do not use a power tool while you are tired or under the influence of drugs, alcohol or medication.** A moment of inattention while operating power tools may result in serious personal injury.
- ▶ **Use personal protective equipment. Always wear eye protection.** Protective equipment such as dust mask, non-skid safety shoes, hard hat, or hearing protection used for appropriate conditions will reduce personal injuries.

- ▶ **Prevent unintentional starting. Ensure the switch is in the off-position before connecting to power source and/or battery pack, picking up or carrying the tool.** Carrying power tools with your finger on the switch or energising power tools that have the switch on invites accidents.
- ▶ **Remove any adjusting key or wrench before turning the power tool on.** A wrench or a key left attached to a rotating part of the power tool may result in personal injury.
- ▶ **Do not overreach. Keep proper footing and balance at all times.** This enables better control of the power tool in unexpected situations.
- ▶ **Dress properly. Do not wear loose clothing or jewellery. Keep your hair, clothing and gloves away from moving parts.** Loose clothes, jewellery or long hair can be caught in moving parts.
- ▶ **If devices are provided for the connection of dust extraction and collection facilities, ensure these are connected and properly used.** Use of dust collection can reduce dust-related hazards.

Power tool use and care

- ▶ **Do not force the power tool. Use the correct power tool for your application.** The correct power tool will do the job better and safer at the rate for which it was designed.
- ▶ **Do not use the power tool if the switch does not turn it on and off.** Any power tool that cannot be controlled with the switch is dangerous and must be repaired.
- ▶ **Disconnect the plug from the power source and/or the battery pack from the power tool before making any adjustments, changing accessories, or storing power tools.** Such preventive safety measures reduce the risk of starting the power tool accidentally.
- ▶ **Store idle power tools out of the reach of children and do not allow persons unfamiliar with the power tool or these instructions to operate the power tool.** Power tools are dangerous in the hands of untrained users.
- ▶ **Maintain power tools. Check for misalignment or binding of moving parts, breakage of parts and any other condition that may affect the power tool's operation. If damaged, have the power tool repaired before use.** Many accidents are caused by poorly maintained power tools.
- ▶ **Keep cutting tools sharp and clean.** Properly maintained cutting tools with sharp cutting edges are less likely to bind and are easier to control.
- ▶ **Use the power tool, accessories and tool bits etc. in accordance with these instructions, taking into account the working conditions and the work to be performed.** Use of the power tool for operations different from those intended could result in a hazardous situation.

Service

- ▶ **Have your power tool serviced by a qualified repair person using only identical replacement parts.** This will ensure that the safety of the power tool is maintained.

Safety Warnings for Foam Rubber Cutters

- ▶ **Hold power tool by insulated gripping surfaces, when performing an operation where the cutting accessory may contact hidden wiring or its own cord.** Cutting accessory contacting a "live" wire may make exposed metal parts of the power tool "live" and could give the operator an electric shock.
- ▶ **Keep hands away from the sawing range. Do not reach under the workpiece.** Contact with the saw blade can lead to injuries.
- ▶ **Products sold in GB only:** Your product is fitted with a BS 1363/A approved electric plug with internal fuse (ASTA approved to BS 1362).
If the plug is not suitable for your socket outlets, it should be cut off and an appropriate plug fitted in its place by an authorised customer service agent. The replacement plug should have the same fuse rating as the original plug.
The severed plug must be disposed of to avoid a possible shock hazard and should never be inserted into a mains socket elsewhere.
- ▶ **Products sold in AUS and NZ only:** Use a residual current device (RCD) with a rated residual current of 30 mA or less.

Product Description and Specifications



Read all safety warnings and all instructions. Failure to follow the warnings and instructions may result in electric shock, fire and/or serious injury.

Intended Use

The machine is intended for the cutting of flexible foamed materials made of plastic, rubber or similar materials.

Product Features

The numbering of the product features refers to the illustration of the machine on the graphics page.

- 1 On/Off switch
- 2 Saw blade guide*
- 3 Saw blade pair*
- 4 Base plate
- 5 Handle (insulated gripping surface)
- 6 Screw
- 7 Cover plate
- 8 Knurled screw
- 9 Tensioning screw for base plate

*Accessories shown or described are not part of the standard delivery scope of the product. A complete overview of accessories can be found in our accessories program.

Technical Data

Foam rubber cutter	GSG 300	
Article number		0 601 575 1..
Rated power input	W	350
Output power	W	185
Stroke rate at no load n_0	min ⁻¹	3500
Stroke speed under load	min ⁻¹	2100
Cutting depth, max.	mm	300
Weight according to EPTA-Procedure 01:2014	kg	1.6
Protection class		□/II

The values given are valid for a nominal voltage [U] of 230 V. For different voltages and models for specific countries, these values can vary.

Assembly

- ▶ **Before any work on the machine itself, pull the mains plug.**

Mounting the Saw Blade Guide (see figure A)

Remove the screws **6** from the housing. Attach the saw blade guide **2** onto the housing in such a manner that the mounting pins engage into the corresponding holes and secure with the screws **6**.

Inserting/Replacing Saw Blades (see figure B)

- ▶ **Wear protective gloves when mounting the saw blades.**
Danger of injury when touching the saw blades.

Loosen and remove the knurled screws **8** together with the spring washers and the cover plate **7**.

- ❶ Firstly, insert the saw blade pair **3** into the bottom of the saw blade guide **2**, paying attention that the longitudinal grooves of the saw blades engage into the guide pin of the saw blade guide.
- ❷ Secondly, locate the top of the saw blade pair **3** onto the drive tappets, ensuring that the saw blades are properly seated in the saw blade guide.

Place the cover plate **7** onto the set screws on the housing and secure them with the knurled screws **8**, ensuring that the spring washers have also been mounted.

Mounting the Base Plate (see figure C)

Insert the saw blade guide **2** into the corresponding notch on the base plate **4**. Tighten the tensioning screw **9**.

Dust/Chip Extraction

- ▶ Dust from materials such as lead-containing coatings, some wood types, minerals and metal can be harmful to one's health. Touching or breathing-in the dust can cause allergic reactions and/or lead to respiratory infections of the user or bystanders.
Certain dust, such as oak or beech dust, is considered carcinogenic, especially in connection with wood-treatment additives (chromate, wood preservative). Materials containing asbestos may only be worked by specialists.

8 | English

- Provide for good ventilation of the working place.
 - It is recommended to wear a P2 filter-class respirator.
- Observe the relevant regulations in your country for the materials to be worked.

Operation

Starting Operation

- ▶ **Observe correct mains voltage! The voltage of the power source must agree with the voltage specified on the nameplate of the machine. Power tools marked with 230 V can also be operated with 220 V.**

Switching On and Off

To **switch on** the power tool, press the On/Off switch **1** and keep it pressed.

To **lock** the pressed On/Off switch **1**, slide the On/Off switch **1** toward the rear.

To **switch off** the power tool, release the On/Off switch **1**, or when it is locked, briefly press the On/Off switch **1** and then release it.

Working Advice

- ▶ **Before any work on the machine itself, pull the mains plug.**

Saw Blades and Saw Blade Guides

Depending on the material thickness to be worked, various saw blade guides and the corresponding saw blades can be used. See the Accessories Overview for more details.

Base Plate

The foam rubber cutter can be used with or without the base plate. The base plate is equipped with rollers, and allows for easy and right-angled guidance of the cutter.

For cutting random forms and for cutouts, it is recommended to work without the base plate.

Cutting Foam

For precise cuts, especially with soft foams and similar materials, work only with moderate feed. Do not press the material together or squeeze it apart too excessively while working.

Dismount the base plate for smaller cutouts. Puncture the material using a knife or a pair of scissors, then insert the saw blade guide into the opening and work the cutout.

For larger cutouts, select an entry opening large enough to insert the saw blade guide with the mounted base plate. Pay attention that no obstacles are on the bottom of the material. Guide the power tool with moderate pressure alongside the cutout line.

Maintenance and Service

Maintenance and Cleaning

- ▶ **Before any work on the machine itself, pull the mains plug.**
- ▶ **For safe and proper working, always keep the machine and ventilation slots clean.**

The saw blade guide and the saw blades at regular intervals, approx. after 8 hours of operation. Remove the saw blades from the power tool for this and preferably clean the saw blades with petrol. If required, use a scraper to clean the saw blade guide. Apply a light coat of oil onto the saw blade guide before assembling new or resharpened saw blades.

If the replacement of the supply cord is necessary, this has to be done by Bosch or an authorized Bosch service agent in order to avoid a safety hazard.

After-sales Service and Application Service

Our after-sales service responds to your questions concerning maintenance and repair of your product as well as spare parts. Exploded views and information on spare parts can also be found under:

www.bosch-pt.com

Bosch's application service team will gladly answer questions concerning our products and their accessories.

In all correspondence and spare parts orders, please always include the 10-digit article number given on the nameplate of the product.

People's Republic of China

China Mainland

Bosch Power Tools (China) Co., Ltd.
567, Bin Kang Road
Bin Jiang District 310052
Hangzhou, P. R. China
Service Hotline: 4008268484
Fax: (0571) 87774502
E-Mail: contact.ptcn@cn.bosch.com
www.bosch-pt.com.cn

HK and Macau Special Administrative Regions

Robert Bosch Hong Kong Co. Ltd.
21st Floor, 625 King's Road
North Point, Hong Kong
Customer Service Hotline: +852 2101 0235
Fax: +852 2590 9762
E-Mail: info@hk.bosch.com
www.bosch-pt.com.hk

Indonesia

PT Robert Bosch
Palma Tower 10th Floor
Jl. RA Kartini II-S Kaveling 6 Sek II
Pondok Pinang, Kebayoran Lama
Jakarta Selatan 12310
Indonesia
Tel.: (021) 3005 5800
Fax: (021) 3005 5801
E-Mail: boschpowertools@id.bosch.com
www.bosch-pt.co.id

Philippines

Robert Bosch, Inc.
28th Floor Fort Legend Towers,
3rd Avenue corner 31st Street,
Fort Bonifacio Global City,
1634 Taguig City, Philippines
Tel.: (02) 8703871
Fax: (02) 8703870
matheus.contiero@ph.bosch.com
www.bosch-pt.com.ph

Bosch Service Center:
9725-27 Kamagong Street
San Antonio Village
Makati City, Philippines
Tel.: (02) 8999091
Fax: (02) 8976432
E-Mail: rosalie.dagdagan@ph.bosch.com

Malaysia

Robert Bosch Sdn. Bhd.
No. 8A, Jalan 13/6
G.P.O. Box 10818
46200 Petaling Jaya
Selangor, Malaysia
Tel.: (03) 79663194
Fax: (03) 79583838
E-Mail: cheehoe.on@my.bosch.com
Toll-Free: 1800 880188
www.bosch-pt.com.my

Thailand

Robert Bosch Ltd.
Liberty Square Building
No. 287, 11 Floor
Silom Road, Bangrak
Bangkok 10500
Tel.: 02 6393111
Fax: 02 2384783
Robert Bosch Ltd., P. O. Box 2054
Bangkok 10501, Thailand
www.bosch.co.th

Bosch Service – Training Centre
La Salle Tower Ground Floor Unit No.2
10/11 La Salle Moo 16
Srinakharin Road
Bangkaew, Bang Plee
Samutprakarn 10540
Thailand
Tel.: 02 7587555
Fax: 02 7587525

Singapore

Powerwell Service Centre Ptd Ltd
65 Ubi Crescent, #06-03 Hola Centre
Singapore 408559
Tel.: 6746 9770/71
Fax: 6746 9760
E-Mail: powerwellsc@gmail.com
Toll-Free: 1800 3338333
www.bosch-pt.com.sg

Vietnam

Robert Bosch Vietnam Co. Ltd
13th Floor , 194 Golden Building
473 Dien Bien Phu Street
Ward 25, Binh Thanh District
84 Ho Chi Minh City
Vietnam
Tel.: (08) 6258 3690
Fax: (08) 6258 3692
Hotline: (08) 6250 8555
E-Mail: tuvankhachhang-pt@vn.bosch.com
www.bosch-pt.com.vn
www.baohanhbosch-pt.com.vn

Australia, New Zealand and Pacific Islands

Robert Bosch Australia Pty. Ltd.
Power Tools
Locked Bag 66
Clayton South VIC 3169
Customer Contact Center
Inside Australia:
Phone: (01300) 307044
Fax: (01300) 307045
Inside New Zealand:
Phone: (0800) 543353
Fax: (0800) 428570
Outside AU and NZ:
Phone: +61 3 95415555
www.bosch-pt.com.au
www.bosch-pt.co.nz

Egypt

Unimar
20 Markaz kadmat
El tagmoa EL Aoul – New Cairo
Tel: +2 02 224 76091 - 95 / + 2 02 224 78072 - 73
Fax: +2 02 224 78075
E-Mail: adelzaki@unimaregypt.com

Ethiopia

Forever plc
Kebele 2,754, BP 4806,
Addis Ababa , Ethiopia
Tel: +251 111 560 600, +251 111 560 600
E-Mail: foreverplc@ethionet.et

Nigeria

C. Woermann Ltd.
P.O. Box 318
6, Badejo Kalesanwo Street
Matori Industrial Estate
Lagos, Nigeria
Tel: +234 17 736 498, +234 17 730 904
E-Mail: d.kornemann@woermann-nigeria.com

10 | 中文

Republic of South Africa**Customer service**

Hotline: (011) 6519600

Gauteng – BSC Service Centre

35 Roper Street, New Centre

Johannesburg

Tel.: (011) 4939375

Fax: (011) 4930126

E-Mail: bsctools@icon.co.za

KZN – BSC Service Centre

Unit E, Almar Centre

143 Crompton Street

Pinetown

Tel.: (031) 7012120

Fax: (031) 7012446

E-Mail: bsc.dur@za.bosch.com

Western Cape – BSC Service Centre

Democracy Way, Prosperity Park

Milnerton

Tel.: (021) 5512577

Fax: (021) 5513223

E-Mail: bsc@zsd.co.za

Bosch Headquarters

Midrand, Gauteng

Tel.: (011) 6519600

Fax: (011) 6519880

E-Mail: rbsa-hq.pts@za.bosch.com

Disposal

The machine, accessories and packaging should be sorted for environmental-friendly recycling.

Do not dispose of power tools into household waste!

Subject to change without notice.

中文**安全规章****电动工具通用安全警告**

警告！ 阅读所有警告和所有说明！不遵照以下警告和说明会导致电击、着火和/或严重伤害。

保存所有警告和说明书以备查阅。

在所有下列的警告中术语“电动工具”指市电驱动（有线）电动工具或电池驱动（无线）电动工具。

工作场地的安全

- ▶ **保持工作场地清洁和明亮。** 混乱和黑暗的场地会引发事故。
- ▶ **不要在易爆环境，如有易燃液体、气体或粉尘的环境下操作电动工具。** 电动工具产生的火花会点燃粉尘或气体。

- ▶ **让儿童和旁观者离开后操作电动工具。** 注意力不集中会使操作者失去对工具的控制。

电气安全

- ▶ **电动工具插头必须与插座相配。** 绝不能以任何方式改装插头。需接地的电动工具不能使用任何转换插头。未经改装的插头和相配的插座将减少电击危险。
- ▶ **避免人体接触接地表面，如管道、散热片和冰箱。** 如果你身体接地会增加电击危险。
- ▶ **不得将电动工具暴露在雨中或潮湿环境中。** 水进入电动工具将增加电击危险。
- ▶ **不得滥用电线。** 绝不能用电线搬运、拉动电动工具或拔出其插头。使电线远离热源、油、锐边或运动部件。受损或缠绕的软线会增加电击危险。
- ▶ **当在户外使用电动工具时，使用适合户外使用的外接软线。** 适合户外使用的软线将减少电击危险。
- ▶ **如果在潮湿环境下操作电动工具是不可避免的，应使用剩余电流动作保护器（RCD）。** 使用 RCD 可减小电击危险。

人身安全

- ▶ **保持警觉，当操作电动工具时关注所从事的操作并保持清醒。** 当你感到疲倦，或在有药物、酒精或治疗反应时，不要操作电动工具。在操作电动工具时瞬间的疏忽会导致严重人身伤害。
 - ▶ **使用个人防护装置。始终佩戴护目镜。** 安全装置，诸如适当条件下使用防尘面具、防滑安全鞋、安全帽、听力防护等装置能减少人身伤害。
 - ▶ **防止意外起动。确保开关在连接电源和/或电池盒、拿起或搬运工具时处于关断位置。** 手指放在已接通电源的开关上或开关处于接通时插入插头可能会导致危险。
 - ▶ **在电动工具接通之前，拿掉所有调节钥匙或扳手。** 遗留在电动工具旋转零件上的扳手或钥匙会导致人身伤害。
 - ▶ **手不要伸展得太长。时刻注意立足点和身体平衡。** 这样在意外情况下能很好地控制电动工具。
 - ▶ **着装适当。不要穿宽松衣服或佩戴饰品。** 让衣服、手套和头发远离运动部件。宽松衣服、佩饰或长发可能会卷入运动部件中。
 - ▶ **如果提供了与排屑、集尘设备连接用的装置，要确保他们连接完好且使用得当。** 使用这些装置可减少尘屑引起的危险。
- 电动工具使用和注意事项**
- ▶ **不要滥用电工工具，根据用途使用适当的电动工具。** 选用适当设计的电动工具会使你工作更有效、更安全。
 - ▶ **如果开关不能接通或关断工具电源，则不能使用该电动工具。** 不能用开关来控制的电动工具是危险的且必须进行修理。

- ▶ 在进行任何调节、更换附件或贮存电动工具之前，必须从电源上拔掉插头和 / 或使电池盒与工具脱离。这种防护性措施将减少工具意外起动的危险。
- ▶ 将闲置不用的电动工具贮存在儿童所及范围之外，并且不要让不熟悉电动工具或对这些说明不了解的人操作电动工具。电动工具在未经培训的用户手中是危险的。
- ▶ 保养电动工具。检查运动件是否调整到位或卡住，检查零件破损情况和影响电动工具运行的其他状况。如有损坏，电动工具应在使用前修理好。许多事故由维护不良的电动工具引发。
- ▶ 保持切削刀具锋利和清洁。保养良好的有锋利切削刃的刀具不易卡住而且容易控制。
- ▶ 按照使用说明书，考虑作业条件和进行的作业来使用电动工具、附件和工具的刀头等。将电动工具用于那些与其用途不符的操作可能会导致危险。

维修

- ▶ 将你的电动工具送交专业维修人员，使用同样的备件进行修理。这样将确保所维修的电动工具的安全性。

泡沫锯安全规章

- ▶ 在切削附件可能触及暗线或其自身软线之处进行操作时，要通过绝缘握持面来握持工具。切削附件碰到带电导线会使工具外露的金属零件带电从而使操作者受到电击。
- ▶ 双手必须远离锯割范围，手不可以握在工件下端。如果不小心碰触了锯片可能被割伤。

产品和功率描述



阅读所有的警告提示和指示。如未确实遵循警告提示和指示，可能导致电击，火灾并且 / 或其他的严重伤害。

按照规定使用机器

本电动工具专门用于切割泡沫塑料、泡沫橡胶和类似材料。

插图上的机件

机件的编号和电动工具详解图上的编号一致。

- 1 起停开关
- 2 锯片导引*
- 3 成双的锯片组*
- 4 底盘
- 5 手柄（绝缘握柄）
- 6 螺丝
- 7 遮板

8 滚轮螺丝

9 底盘的收紧螺丝

* 图表或说明上提到的附件，并不包含在基本的供货范围中。本公司的附件清单中有完整的附件供应项目。

技术数据

乳胶切割机		GSG 300
物品代码		0 601 575 1..
额定输入功率	瓦	350
输出功率	瓦	185
无负载冲击次数 n_0	次 / 分	3500
负载冲击次数	次 / 分	2100
最大锯割深度	毫米	300
重量符合		
EPTA-Procedure 01:2014	公斤	1.6
绝缘等级		□/II

本说明书提供的参数是以 230 V 为依据，于低电压地区，此数据有可能不同。

安装

- ▶ 维修电动工具或换装零、配件之前，务必从插座上拔出插头。

安装锯片导引（参考插图 A）

放鬆机壳上的螺丝 6 並取出螺丝。把锯片导引 2 安装在机壳上，此时夹紧销必须插入夹紧销的专用孔中。收紧螺丝 6 以便将锯片导引 2 固定在机壳上。

安装 / 更换锯片（参考插图 B）

- ▶ 安装锯片时务必戴上防护手套。接触到锯片有受伤危险。

放鬆滚轮螺丝 8，把滚轮螺丝连同弹簧圈和遮板 7 一起拆除。

- ① 先把锯片组 3 装入锯片导引 2 的下端。注意，锯片上的纵向开口必须套在锯片导引的导引销上。
- ② 接著把锯片组 3 挂在带动栓钉上，必须把锯片正确地安装在夹头导引中。

把遮板 7 装入机壳上的螺纹销钉中，使用滚轮螺丝 8 固定遮板，检查是否已经装上了弹簧圈。

安装底盘（参考插图 C）

把锯片导引 2 装入底盘 4 的导引安装孔中。旋紧螺丝 9。

吸锯尘 / 吸锯屑

- ▶ 含铅的颜料以及某些木材、矿物和金属的加工废尘有害健康。机器操作者或者工地附近的人如果接触、吸入这些废尘，可能会有过敏反应或者感染呼吸道疾病。

12 | 中文

某些尘埃（例如加工橡木或山毛榉的废尘）可能致癌，特别是和处理木材的添加剂（例如木材的防腐剂等）结合之后。只有经过专业训练的人才能够加工含石棉的物料。

- 工作场所要保持空气流通。
- 最好佩戴 P2 滤网等级的口罩。

请留心并遵守贵国和加工物料有关的法规。

操作

操作机器

- ▶ **注意电源的电压！电源的电压必须和电动工具铭牌上标示的电压一致。**

开动 / 关闭

要**接通**电动工具，按下并压住起停开关 1。

向后推移被按住的起停开关 1 便可以**锁定**起停开关 1。

放开起停开关 1 便可以**关闭**电动工具。如果开关被锁定了，必须先按下开关 1 并随即放开。

有关操作方式的指点

- ▶ **维修电动工具或换装零、配件之前，务必从插座上拔出插头。**

锯片和锯片导引

可以根据加工物料的厚度选择合适的锯片导引和能够配合该导引的锯片，有关详情请参阅附件一览表。

带滚轮的底盘

使用乳胶切割机时可以安装底盘，也可以省略底盘。某些底盘上带有滚轮，此类底盘不仅能够简便乳胶切割机的操作，也允许直角移动机器。锯割图形或挖割时，最好使用不带滚轮的底盘。

加工发泡塑胶

进行精确的锯割工作时（尤其在切割软的发泡塑胶时）只能均匀而且缓慢地推进机器。操作机器时不可以过度挤压或拉伸物料。

挖割小的图形时最好拆下底盘。先使用刀子或剪刀在工件上穿孔，接着再把锯片导引插入孔中继续锯割。

进行大面积的挖锯时，必须加大工件上的预钻孔。预钻孔必须能够放入装了底盘的锯片导引。工件的底垫上不可以有任何障碍物。沿著锯线均匀地推动电动工具。

维修和服务

维修和清洁

- ▶ **维修电动工具或换装零、配件之前，务必从插座上拔出插头。**

- ▶ **电动工具和通风间隙都必须保持清洁，这样才能够提高工作品质 and 安全性。**

定期清洁锯片导引和锯片，约每 8 个工作小时清洁一次。清洁时先从电动工具中取出锯片，最好使用汽油清洗锯片。必要时得使用刮刀刮除锯片导引中的污垢。安装新的或研磨过的锯片以前，必须先给锯片导引上涂少许油。

如果必须更换连接线，务必把这项工作交给博世或者经授权的博世电动工具顾客服务执行，以避免危害机器的安全性能。

顾客服务处和顾客咨询中心

本公司顾客服务处负责回答有关本公司产品的修理、维护和备件的问题。以下的网页中有爆炸图和备件的资料：

www.bosch-pt.com

博世顾客咨询团队非常乐意为您解答有关本公司产品及附件的问题。

如需查询和订购备件，请务必提供产品型号铭牌上的 10 位数货号。

有关保证，维修或更换零件事宜，请向合格的经销商查询。

中国大陆

博世电动工具（中国）有限公司

中国 浙江省 杭州市

滨江区滨康路 567 号

邮政编码：310052

免费服务热线：4008268484

传真：(0571) 87774502

电邮：contact.ptcn@cn.bosch.com

www.bosch-pt.com.cn

罗伯特·博世有限公司

香港北角英皇道 625 号 21 楼

客户服务热线：+852 2101 0235

传真：+852 2590 9762

电邮：info@hk.bosch.com

网站：www.bosch-pt.com.hk

制造商地址：

Robert Bosch Power Tools GmbH

罗伯特·博世电动工具有限公司

70538 Stuttgart / GERMANY

70538 斯图加特 / 德国

处理废弃物

必须以符合环保的方式，回收再利用损坏的机器、附件和废弃的包装材料。

不可以把电动工具丢入家庭垃圾中！

保留修改权。

中文

安全規章

電動工具通用安全警告

警告 閱讀所有警告和所有說明。不遵照以下警告和說明會導致電擊、着火和/或嚴重傷害。

保存所有警告和說明書以備查閱。

在所有下列的警告中術語 " 電動工具 " 指市電驅動 (有線) 電動工具或電池驅動 (無線) 電動工具。

工作場地的安全

- ▶ 保持工作場地清潔和明亮。混亂和黑暗的場地會引發事故。
- ▶ 不要在易爆環境，如有易燃液體、氣體或粉塵的環境下操作電動工具。電動工具產生的火花會點燃粉塵或氣體。
- ▶ 讓兒童和旁觀者離開後操作電動工具。注意力不集中會使你失去對工具的控制。

電氣安全

- ▶ 電動工具插頭必須與插座相配。絕不能以任何方式改裝插頭。需接地的電動工具不能使用任何轉換插頭。未經改裝的插頭和相配的插座將減少電擊危險。
- ▶ 避免人體接觸接地表面，如管道、散熱片和冰箱。如果你身體接地會增加電擊危險。
- ▶ 不得將電動工具暴露在雨中或潮濕環境中。水進入電動工具將增加電擊危險。
- ▶ 不得濫用電線。絕不能用電線搬運、拉動電動工具或拔出其插頭。使電線遠離熱源、油、銳邊或運動部件。受損或纏繞的軟線會增加電擊危險。
- ▶ 當在戶外使用電動工具時，使用適合戶外使用的外接軟線。適合戶外使用的軟線，將減少電擊危險。
- ▶ 如果在潮濕環境下操作電動工具是不可避免的，應使用剩餘電流動作保護器 (RCD)。使用 RCD 可減小電擊危險。

人身安全

- ▶ 保持警覺，當操作電動工具時關注所從事的操作並保持清醒。當你感到疲倦，或在有藥物、酒精或治療反應時，不要操作電動工具。在操作電動工具時瞬間的疏忽會導致嚴重人身傷害。
- ▶ 使用個人防護裝置。始終佩戴護目鏡。安全裝置，諸如適當條件下使用防塵面具、防滑安全鞋、安全帽、聽力防護等裝置能減少人身傷害。
- ▶ 防止意外起動。確保開關在連接電源和/或電池盒、拿起或搬運工具時處於關斷位置。手指放在已接通電源的開關上或開關處於接通時插入插頭可能會導致危險。

- ▶ 在電動工具接通之前，拿掉所有調節鑰匙或扳手。遺留在電動工具旋轉零件上的扳手或鑰匙會導致人身傷害。
- ▶ 手不要伸展得太長。時刻注意立足點和身體平衡。這樣在意外情況下能很好地控制電動工具。
- ▶ 著裝適當。不要穿寬鬆衣服或佩戴飾品。讓你的衣服、手套和頭髮遠離運動部件。寬鬆衣服、佩飾或長髮可能會捲入運動部件中。
- ▶ 如果提供了與排屑、集塵設備連接用的裝置，要確保他們連接完好且使用得當。使用這些裝置可減少塵屑引起的危險。

電動工具使用和注意事項

- ▶ 不要濫用電動工具，根據用途使用適當的電動工具。選用適當設計的電動工具會使你工作更有效、更安全。
- ▶ 如果開關不能接通或關斷工具電源，則不能使用該電動工具。不能用開關來控制的電動工具是危險的且必須進行修理。
- ▶ 在進行任何調節、更換附件或貯存電動工具之前，必須從電源上拔掉插頭和/或使電池盒與工具脫開。這種防護性措施將減少工具意外起動的危險。
- ▶ 將閒置不用的電動工具貯存在兒童所及範圍之外，並且不要讓不熟悉電動工具或對這些說明不瞭解的人操作電動工具。電動工具在未經培訓的用戶手中是危險的。
- ▶ 保養電動工具。檢查運動件是否調整到位或卡住，檢查零件破損情況和影響電動工具運行的其他狀況。如有損壞，電動工具應在使用前修理好。許多事故由維護不良的電動工具引發。
- ▶ 保持切削刀具鋒利和清潔。保養良好的有鋒利切刃的刀具不易卡住而且容易控制。
- ▶ 按照使用說明書，考慮作業條件和進行的作業來使用電動工具、附件和工具的刀頭等。將電動工具用於那些與其用途不符的操作可能會導致危險。

檢修

- ▶ 將你的電動工具送交專業維修人員，必須使用同樣的備件進行更換。這樣將確保所維修的電動工具的安全性。

鋸切泡棉安全注意事項

- ▶ 如果安裝在此裝置上的切割配件可能會在作業期間割到暗藏的電線或自身的電源線，請務必從裝置握把上的絕緣處來握住該裝置。切割配件萬一接觸到帶電導線，可能會連帶使裝置上的金屬部件帶電，進而導致操作者觸電。
- ▶ 雙手必須遠離鋸切範圍，手不可以握在工件下端。如果不小心碰觸了鋸片可能被割傷。

產品和功率描述



閱讀所有的警告提示和指示。 如未確實遵循警告提示和指示，可能導致電擊、火災並且 / 或其他的嚴重傷害。

按照規定使用機器

本電動工具適合用於切割任意形狀的泡棉、發泡乳膠以及其他類似材料。

插圖上的機件

機件的編號和電動工具詳細圖上的編號一致。

- 1 起停開關
- 2 鋸片導引*
- 3 成雙的鋸片組*
- 4 底盤
- 5 手柄（絕緣握柄）
- 6 螺絲
- 7 遮板
- 8 滾輪螺絲
- 9 底盤的收緊螺絲

*圖表或說明上提到的附件，並不包含在基本的供貨範圍中。本公司的附件清單中有完整的附件供應項目。

技術性數據

乳膠切割機		GSG 300
物品代碼		0 601 575 1..
額定輸入功率	瓦	350
輸出功率	瓦	185
無負載沖擊次數 n_0	次 / 分	3500
負載沖擊次數	次 / 分	2100
最大鋸割深度	毫米	300
重量符合		
EPTA-Procedure 01:2014	公斤	1.6
絕緣等級		□/II

本說明書提供的參數是以 230 伏特為依據，於低電壓地區，此數據有可能不同。

安裝

► **維修電動工具或換裝零、配件之前，務必從插座上拔出插頭。**

安裝鋸片導引（參考插圖 A）

放鬆機殼上的螺絲 6 並取出螺絲。把鋸片導引 2 安裝在機殼上，此時夾緊銷必須插入夾緊銷的專用孔中。收緊螺絲 6 以便將鋸片導引 2 固定在機殼上。

安裝 / 更換鋸片（參考插圖 B）

► **安裝鋸片時務必穿戴防護手套。** 手如果接觸鋸片可能被割傷。

放鬆滾輪螺絲 8，把滾輪螺絲連同彈簧圈和遮板 7 一起拆除。

- ① 先把鋸片組 3 裝入鋸片導引 2 的下端。注意，鋸片上的縱向開口必須套在鋸片導引的導引銷上。
- ② 接著把鋸片組 3 掛在帶動栓釘上，必須把鋸片正確地安裝在夾頭導引中。

把遮板 7 裝入機殼上的螺紋銷釘中，使用滾輪螺絲 8 固定遮板，檢查是否已經裝上了彈簧圈。

安裝底盤（參考插圖 C）

把鋸片導引 2 裝入底盤 4 的導引安裝孔中。旋緊螺絲 9。

吸鋸塵 / 吸鋸屑

► 含鉛的顏料以及某些木材、礦物和金屬的加工廢塵有害健康。機器操作者或者工地附近的人如果接觸、吸入這些廢塵，可能會有過敏反應或者感染呼吸道疾病。

某些塵埃（例如加工橡木或山毛櫸的廢塵）可能致癌，特別是和處理木材的添加劑（例如木材的防腐劑等）結合之後。只有經過專業訓練的人才能夠加工含石棉的物料。

- 工作場所要保持空氣流通。
- 最好佩戴 P2 濾網等級的口罩。

請留心並遵守貴國和加工物料有關的法規。

操作

操作機器

► **注意電源的電壓！** 電源的電壓必須和電動工具銘牌上標示的電壓一致。

開動 / 關閉

若要**啟動**電動工具，請按下電源開關 1 並持續按著。向後推移被按住的起停開關 1 便可以**鎖定**起停開關 1。

放開起停開關 1 便可以**關閉**電動工具。如果開關被鎖定了，必須先按下開關 1 並隨即放開。

有關操作方式的指點

► **維修電動工具或換裝零、配件之前，務必從插座上拔出插頭。**

鋸片和鋸片導引

可以根據加工物料的厚度選擇合適的鋸片導引和能夠配合該導引的鋸片，有關詳情請參閱附件一覽表。

帶滾輪的底盤

使用乳膠切割機時可以安裝底盤，也可以省略底盤。某些底盤上帶有滾輪，此類底盤不僅能夠簡便乳膠切割機的操作，也允許直角移動機器。鋸割圖形或挖割時，最好使用不帶滾輪的底盤。

加工發泡塑膠

進行精確的鋸割工作時（尤其在切割軟的發泡塑膠時）只能均勻而且緩慢地推進機器。操作機器時不可以過度擠壓或拉伸物料。

切割小的圖形時最好拆下底盤。先使用刀子或剪刀在工件上穿孔，接著再把鋸片導引插入孔中繼續鋸割。

進行大面積的挖割時，必須加大工件上的預鑽孔。預鑽孔必須能夠放入裝了底盤的鋸片導引。工件的底墊上不可以有任何障礙物。沿著鋸線均勻地推動電動工具。

維修和服務

維修和清潔

- ▶ 維修電動工具或換裝零、配件之前，務必從插座上拔出插頭。
- ▶ 電動工具和通風間隙都必須保持清潔，這樣才能夠提高工作品質和安全性。

定期清潔鋸片導引和鋸片，約每 8 個工作小時清潔一次。清潔時先從電動工具中取出鋸片，最好使用汽油清洗鋸片。必要時得使用刮刀刮除鋸片導引中的污垢。安裝新的或研磨過的鋸片以前，必須先在鋸片導引上塗少許油。

如果必須更換連接線，務必把這項工作交給博世或者經授權的博世電動工具顧客服務執行，以避免危害機器的安全性能。

顧客服務處和顧客諮詢中心

本公司顧客服務處負責回答有關本公司產品的修理、維護和備件的問題。以下的網頁中有爆炸圖和備件的資料：

www.bosch-pt.com

博世顧客諮詢團隊非常樂意為您解答有關本公司產品及附件的問題。

當您需要諮詢或訂購備用零組件時，請務必提供本產品型號銘牌上的 10 位項目編號。

台灣

台灣羅伯特博世股份有限公司

建國北路一段 90 號 6 樓

台北市 10491

電話：(02) 2515 5388

傳真：(02) 2516 1176

www.bosch-pt.com.tw

制造商地址：

Robert Bosch Power Tools GmbH
羅伯特·博世電動工具有限公司
70538 Stuttgart / GERMANY
70538 斯圖加特 / 德國

處理廢棄物

必須以符合環保的方式，回收再利用損壞的機器、附件和廢棄的包裝材料。

不可以把電動工具丟入家庭垃圾中。

保留修改權。

한국어

안전 수칙

전동공구용 일반 안전수칙

⚠ 경고 모든 안전수칙과 지시 사항을 상세히 읽고 지켜야 합니다. 다음의 안전수칙과 지시 사항을 준수하지 않으면 화재 위험이 있으며 감전 혹은 중상을 입을 수 있습니다.

앞으로의 참고를 위해 이 안전수칙과 사용 설명서를 잘 보관하십시오.

다음에서 사용되는 “전동공구” 라는 개념은 전원에 연결하여 사용하는 전동 기기 (전선이 있는) 나 배터리를 사용하는 전동 기기 (전선이 없는) 를 의미합니다.

작업장 안전

- ▶ 작업장을 항상 깨끗이 하고 조명을 밝게 하십시오. 작업장 환경이 어수선하거나 어두우면 사고를 초래할 수 있습니다.
- ▶ 가연성 유체, 가스 또는 분진이 있어 폭발 위험이 있는 환경에서 전동공구를 사용하지 마십시오. 전동공구는 분진이나 증기에 점화하는 스파크를 일으킬 수 있습니다.
- ▶ 전동공구를 사용할 때 구경꾼이나 어린이 혹은 다른 사람이 작업장에 접근하지 못하게 하십시오. 다른 사람이 주의를 산만하게 하면 기기에 대한 통제를 잃기 쉽습니다.

전기에 관한 안전

- ▶ 전동공구의 전원 플러그가 전원 콘센트에 잘 맞아야 합니다. 플러그를 조금이라도 변경시켜서는 안됩니다. 접지된 전동공구를 사용할 때 어댑터 플러그를 사용하지 마십시오. 변형되지 않은 플러그와 잘 맞는 콘센트를 사용하면 감전의 위험을 감소할 수 있습니다.
- ▶ 파이프 관, 라디에이터, 레인지, 냉장고와 같은 접지 표면에 물이 닿지 않도록 하십시오. 물에 닿을 경우 감전될 위험이 높습니다.

16 | 한국어

- ▶ 전동공구를 비에 맞지 않게 하고 습기 있는 곳에 두지 마십시오. 전동공구에 물이 들어가면 감전될 위험이 높습니다.
- ▶ 전원 코드를 잡고 전동공구를 운반하거나 걸어 놓아서는 안되며, 콘센트에서 전원 플러그를 뽑을 때 전원 코드를 잡아 당겨서는 절대로 안됩니다. 전원 코드가 열과 오일에 접촉하는 것을 피하고, 날카로운 모서리나 기기의 가동 부위에 닿지 않도록 주의하십시오. 손상되거나 영긴 전원 코드는 감전을 유발할 수 있습니다.
- ▶ 실외에서 전동공구로 작업할 때는 실외용으로 적당한 연장 전원 코드만을 사용하십시오. 실외용 연장 전원 코드를 사용하면 감전의 위험을 줄일 수 있습니다.
- ▶ 전동공구를 습기 찬 곳에서 사용해야 할 경우에는 누전 차단기를 사용하십시오. 누전 차단기를 사용하면 감전 위험을 줄일 수 있습니다.

사용자 안전

- ▶ 신중하게 작업하십시오. 작업을 할 때 주의를 하며, 전동공구를 사용할 때 경솔하게 행동하지 마십시오. 피로한 상태이거나 약물 복용 및 음주한 후에는 전동공구를 사용하지 마십시오. 전동공구를 사용할 때 잠시라도 주의가 산만해지면 중상을 입을 수 있습니다.
- ▶ 작업자 안전을 위한 장치를 사용하십시오. 항상 보안경을 착용하십시오. 전동공구의 종류와 사용에 따라 먼지 보호 마스크, 미끄러지지 않는 안전한 신발, 안전모 또는 귀마개 등의 안전한 복장을 하면 상해의 위험을 줄일 수 있습니다.
- ▶ 실수로 기기가 작동되지 않도록 주의하십시오. 전동공구를 전원에 연결하거나 배터리를 끼우기 전에, 혹은 기기를 틀거나 운반하기 전에, 전원 스위치가 꺼져 있는지 다시 확인하십시오. 전동공구를 운반할 때 전원 스위치에 손가락을 대거나 전원 스위치가 켜진 상태에서 전원을 연결하면 사고 위험이 높습니다.
- ▶ 전동공구를 사용하기 전에 조절하는 톨이나 나사 키 등을 빼 놓으십시오. 회전하는 부위에 있는 톨이나 나사 키로 인해 상처를 입을 수 있습니다.
- ▶ 자신을 과신하지 마십시오. 불안정한 자세를 피하고 항상 평형을 이룬 상태로 작업하십시오. 안정된 자세와 평형한 상태로 작업해야만이 의외의 상황에서도 전동공구를 안전하게 사용할 수 있습니다.
- ▶ 알맞은 작업복을 입으십시오. 헐렁한 복장을 하거나 장신구를 착용하지 마십시오. 머리카락이나 옷 또는 장갑이 가동하는 기기 부위에 가까이 닿지 않도록 주의하십시오. 헐렁한 복장, 장신구 혹은 긴 머리는 가동 부위에 말려 사고를 초래할 수 있습니다.
- ▶ 분진 추출장치나 수거장치의 조립이 가능한 경우, 이 장치가 연결되어 있는지, 제대로 작동이 되는지 확인하십시오. 이러한 분진 추출장치를 사용하면 분진으로 인한 사고 위험을 줄일 수 있습니다.

전동공구의 올바른 사용과 취급

- ▶ 기기를 과부하 상태에서 사용하지 마십시오. 작업할 때 이에 적당한 전동공구를 사용하십시오. 알맞은 전동공구를 사용하면 지정된 성능 한도 내에서 더 효율적으로 안전하게 작업할 수 있습니다.
- ▶ 전원 스위치가 고장 난 전동공구를 사용하지 마십시오. 전원 스위치가 작동되지 않는 전동공구는 위험하므로, 반드시 수리를 해야 합니다.
- ▶ 기기에 세팅을 하거나 액세서리 부품을 교환하거나 혹은 기기를 보관할 때, 항상 전원 콘센트에서 플러그를 미리 빼어 놓으십시오. 이러한 조치는 실수로 전동공구가 작동하게 되는 것을 예방합니다.
- ▶ 사용하지 않는 전동공구는 어린이 손이 닿지 않는 곳에 보관하고, 전동공구 사용에 익숙지 않거나 이 사용 설명서를 읽지 않은 사람은 기기를 사용해서는 안 됩니다. 경험이 없는 사람이 전동공구를 사용하면 위험합니다.
- ▶ 전동공구를 조심스럽게 관리하십시오. 가동 부위가 하자 없이 정상적인 기능을 하는지, 걸리는 부위가 있는지, 혹은 전동공구의 기능에 중요한 부품이 손상되지 않았는지 확인하십시오. 손상된 기기의 부품은 전동공구를 다시 사용하기 전에 반드시 수리를 맡기십시오. 제대로 관리하지 않은 전동공구의 경우 많은 사고를 유발합니다.
- ▶ 절단 공구를 날카롭고 깨끗하게 관리하십시오. 날카로운 절단면이 있고 잘 관리된 절단공구는 걸리는 경우가 드물고 조절하기도 쉽습니다.
- ▶ 전동공구, 액세서리, 장착하는 공구 등을 사용할 때, 이 지시 사항과 특별히 기종 별로 나와있는 사용 방법을 준수하십시오. 이때 작업 조건과 실시하려는 작업 내용을 고려하십시오. 원래 사용 분야가 아닌 다른 작업에 전동공구를 사용할 경우 위험한 상황을 초래할 수 있습니다.

서비스

- ▶ 전동공구 수리는 반드시 전문 인력에게 맡기고, 수리 정비 시 보쉬 순정 부품만을 사용하십시오. 그렇게 함으로써 기기의 안전성을 오래 유지할 수 있습니다.

폼 커터 안전 수칙

- ▶ 작업할 때 톨날이 보이지 않는 전선이나 기기 자체의 코드에 닿을 위험이 있으면 전동공구의 절연된 손잡이 면을 잡으십시오. 전류가 흐르는 전선에 접하게 되면 기기의 금속 부위에도 전기가 통해 감전될 위험이 있습니다.
- ▶ 절단 부위에 손을 가까이 대지 마십시오. 작업물의 아래쪽을 잡지 마십시오. 날과 접하게 되면 상해를 입을 수 있습니다.

제품 및 성능 소개



모든 안전수칙과 지시 사항을 상세히 읽고 지켜야 합니다. 다음의 안전수칙과 지시 사항을 준수하지 않으면 화재 위험이 있으며 감전 혹은 중상을 입을 수 있습니다.

규정에 따른 사용

본 전동공구는 폼 플라스틱, 발포 고무 및 이와 유사한 소재의 임시적인 형상을 절단할 때 사용됩니다.

제품의 주요 명칭

제품의 주요 명칭에 표기되어 있는 번호는 기기 그림이 나와있는 면을 참고하십시오.

- 1 전원 스위치
- 2 톱날 가이드*
- 3 톱날 세트*
- 4 밀판
- 5 손잡이 (절연된 손잡이 부위)
- 6 나사
- 7 커버 판
- 8 널드 나사
- 9 밀판용 고정 나사

*도면이나 설명서에 나와있는 액세서리는 표준 공급부품에 속하지 않습니다. 전체 액세서리는 저희 액세서리 프로그램을 참고하십시오.

제품 사양

발포 고무용 커터		GSG 300	
제품 번호		0 601 575 1..	
소비 전력	W	350	
출력	W	185	
무부하 시 스트로크 수 n_0	min^{-1}	3500	
부하 시 스트로크 수	min^{-1}	2100	
최대 절단 깊이	mm	300	
EPTA 공정 01:2014 에 따른 중량	kg	1.6	
안전 등급			□/II

자료는 정격 전압 [U] 230 V 를 기준으로 한 것입니다. 전압이 낮거나 각국의 특수한 모델에 따라 달라질 수 있습니다.

조립

▶ 전동공구를 보수 정비하기 전에 반드시 콘센트에서 전원 플러그를 빼십시오.

톱날 가이드 조립하기 (그림 A 참조)

하우징에서 나사 6 을 풀어 빼냅니다. 톱날 가이드 2 를 조립 핀이 정해진 구멍에 끼워지도록 하여 하우징에 부착한 다음에, 톱날 가이드 2 를 나사 6 으로 고정합니다.

톱날 끼우기 / 교환하기 (그림 B 참조)

▶ 톱날을 조립할 때 보호 장갑을 착용하십시오. 톱날에 손이 닿게 되면 부상을 입을 수 있습니다.

널드 나사 8 을 풀고 스프링 링과 커버 판 7 과 함께 빼냅니다.

- ① 우선 톱날 세트 3 을 톱날 가이드 2 아래로 끼웁니다. 이때 톱날의 길게 난 홈이 톱날 가이드의 가이드 핀에 걸리도록 해야 합니다.
- ② 그리고 나서 톱날이 톱날 가이드에 제대로 끼워지도록 확인하며 톱날 세트 3 과 윗부분을 구동 태깅에 끼웁니다.

커버 판 7 로 하우징의 두 개의 나사에 대고, 이를 널드 나사 8 로 고정합니다. 이때 스프링 링이 조립되어 있는지 확인하십시오.

밀판 조립하기 (그림 C 참조)

톱날 가이드 2 를 밀판 4 의 해당하는 홈에 끼웁니다. 고정 나사 9 를 꼭 조입니다.

분진 및 톱밥 추출장치

▶ 납 성분을 포함한 페인트나 몇몇 나무 종류, 또는 광물 성분 그리고 철과 같은 재료의 분진은 건강을 해칠 수 있습니다. 이 분진을 만지거나 호흡할 경우, 사용자나 주변 사람들은 알레르기 반응이나 호흡기 장애를 일으킬 수 있습니다.

떡갈나무나 너도밤나무와 같은 특정한 분진은 암을 유발시키며, 특히 목재 처리용으로 사용되는 부가 원료 (크로마트, 목재 보호제) 와 혼합되면 암을 유발시키게 됩니다. 석면 성분을 포함한 재료는 오직 전문가가 작업을 해야 합니다.

- 작업장의 통풍이 잘 되도록 하십시오.
- 필터등급 P2 가 장착된 호흡 마스크를 사용하십시오.

작업용 재료에 관해 국가가 지정한 규정을 고려 하십시오.

작동

기계 시동

▶ 공공 배전 전압에 주의! 공급되는 전원의 전압은 전동공구의 명판에 표기된 전압과 동일해야 합니다.

전원 스위치 작동

전동공구를 켜려면 전원 스위치 1 을 누르고 누른 상태를 유지하십시오.

전원 스위치 1 을 누른 상태로 계속 작동하려면 전원 스위치 1 을 뒤로 밀니다.

전동공구의 스위치를 끄려면 전원 스위치 1 을 놓거나 잠금 상태인 경우에는 전원 스위치 1 을 잠깐 눌렀다가 다시 놓습니다.

18 | ภาษาไทย

사용방법

- ▶ **전동공구를 보수 정비하기 전에 반드시 콘센트에서 전원 플러그를 빼십시오.**

톱날과 톱날 가이드

작업하려는 소재의 두께에 따라 다양한 톱날 가이드와 이에 맞는 톱날을 끼울 수 있습니다. 액세서리 목록 참고.

가이드 롤러가 있는 밀판

발포 고무용 커터는 밀판을 사용해도 되고 사용하지 않아도 됩니다. 가이드 롤러가 있는 밀판으로 커터를 용이하게 직선으로 움직여 사용할 수 있습니다.

임의의 형태로 절단하거나 모형을 오려내는 작업을 할 때는 밀판 없이 작업하는 게 좋습니다.

발포 고무에 작업하기

특히 연질의 발포 고무 등의 소재에 정밀한 절단작업을 하고자 하면 적당한 속도로 작업하십시오. 작업 시에 소재를 지나치게 당기거나 누르지 마십시오.

특히 작은 모형을 오려 내는 작업을 할 때는 밀판을 분해하십시오. 칼이나 가위로 소재에 먼저 구멍을 내고 나서 톱날 가이드를 끼우고 모형을 오려 내십시오.

커다란 모형을 오려 내는 작업을 할 경우 밀판을 조립한 톱날 가이드가 끼워 질 정도로 크게 구멍을 선택하십시오. 이때 작업물 아래쪽에 아무런 장애물이 없도록 주의하십시오. 전동공구를 적당한 힘을 가하여 절단 선을 따라 움직이십시오.

보수 정비 및 서비스

보수 정비 및 유지

- ▶ **전동공구를 보수 정비하기 전에 반드시 콘센트에서 전원 플러그를 빼십시오.**
- ▶ **안전하고 올바른 작동을 위하여 전동공구와 전동공구의 통공구를 항상 깨끗이 하십시오.**

약 8 시간 사용 후 매번 정기적으로 톱날 가이드와 톱날을 깨끗이 닦아 주십시오. 이때 톱날을 전동공구에서 빼내어 가솔린으로 닦아 주는 것이 좋습니다. 톱날 가이드를 세척할 때 경우에 따라 스크레이퍼를 사용하십시오. 새로운 톱날이나 연마한 톱날을 끼우기 전에 톱날 가이드에 약간 오일을 바르십시오.

연결 코드를 교환해야 할 경우 안전을 기하기 위해 보쉬사나 보쉬 지정 전동공구 서비스 센터에 맡겨야 합니다.

보쉬 AS 및 고객 상담

보쉬는 귀하의 제품 및 수리에 관한 문의를 받고 있습니다.

AS 센터 정보 및 제품에 대한 고객 상담은 하기 고객 콜센터 및 이메일 상담을 이용해주시기 바랍니다.

고객 콜센터 : 080-955-0909

이메일 상담 :

Bosch-pt.hotline@kr.bosch.com

문이나 대체 부품 주문 시에는 반드시 제품 네임 플레이트에 있는 10 자리의 부품번호를 알려 주십시오.

Bosch Korea, RBKR

Mechanics and Electronics Ltd.
PT/SAX-ASA

298 Bojeong-dong Giheung-gu
Yongin-si, Gyeonggi-do, 446-913

Republic of Korea

080-955-0909

처리

기기와 액세서리 및 포장 등은 친환경적인 방법으로 재활용할 수 있도록 분류하십시오.

전동공구를 가정용 쓰레기로 처리하지 마십시오!

위 사항은 사전 예고 없이 변경될 수도 있습니다.

ภาษาไทย

กฎระเบียบเพื่อความปลอดภัย

คำเตือนทั่วไปเพื่อความปลอดภัยในการใช้เครื่องมือไฟฟ้า

⚠ คำเตือน ต้องอ่านคำเตือนเพื่อความปลอดภัยและคำสั่งทั้งหมด การไม่ปฏิบัติตามคำเตือนและคำสั่งอาจเป็นสาเหตุให้ถูกไฟฟ้าดูด เกิดไฟไหม้ และ/หรือได้รับบาดเจ็บอย่างร้ายแรง

เก็บรักษาคำเตือนและคำสั่งทั้งหมดสำหรับเปิดอ่านในภายหลัง

คำว่า "เครื่องมือไฟฟ้า" ในคำเตือนหมายถึง เครื่องมือไฟฟ้าของท่านที่ทำงานด้วยพลังงานไฟฟ้าที่ต่อจากเต้าเสียบ (มีสายไฟฟ้า) และเครื่องมือไฟฟ้าที่ทำงานด้วยพลังงานไฟฟ้าจากแบตเตอรี่ (ไร้สาย)

ความปลอดภัยในสถานที่ทำงาน

- ▶ **รักษาสถานที่ทำงานให้สะอาดและมีไฟส่องสว่างดี** สถานที่ที่มีมืดหรือกรงจิ้งจอกซึ่งอุบัติเหตุ
- ▶ **อย่าใช้เครื่องมือไฟฟ้าในสภาพแวดล้อมที่เสี่ยงต่อการติดระเบิดได้ เช่น ในที่มีของเหลว แก๊ส หรือฝุ่นที่ติดไฟได้** เมื่อใช้เครื่องมือไฟฟ้าจะเกิดประกายไฟซึ่งอาจจุดฝุ่นหรือไอให้ลุกเป็นไฟได้
- ▶ **ขณะใช้เครื่องมือไฟฟ้าทำงาน ต้องกันเด็กและผู้ยี่นดูให้ออกห่าง** การหันเหความสนใจอาจทำให้ท่านขาดการควบคุมเครื่องได้

ความปลอดภัยเกี่ยวกับไฟฟ้า

- ▶ **ปลั๊กของเครื่องมือไฟฟ้าต้องมีขนาดพอดีกับเต้าเสียบอย่าคิดแปลงหรือแก้ไขตัวปลั๊กอย่างเด็ดขาด อย่าต่อปลั๊กต่อใดๆ เข้ากับเครื่องมือไฟฟ้าที่มีสายดิน ปลั๊กที่ไม่ตัดแปลงและเต้าเสียบที่เข้ากับขั้วลดความเสี่ยงจากการถูกไฟฟ้าดูด**
- ▶ **หลีกเลี่ยงไม่ให้ร่างกายสัมผัสกับพื้นผิวของสิ่งของที่ต่อสายดินไว้ เช่น ท่อ เครื่องทำความร้อน เตา และตู้เย็น** จะเสี่ยงอันตรายจากการถูกไฟฟ้าดูดมากขึ้นหากกระแสไฟฟ้าวิ่งผ่านร่างกายของท่านลงดิน

- ▶ **อย่าวางเครื่องมือไฟฟ้าคาบผมหรือทิ้งไว้ในที่ชื้นและ** หากน้ำเข้าในเครื่องมือไฟฟ้า จะเพิ่มความเสี่ยงจากการถูกไฟฟ้าดูด
- ▶ **อย่าใช้สายไฟฟ้าอย่างผิดๆ อย่าถือเครื่องมือไฟฟ้าที่สาย** อย่าใช้สายแขวนเครื่อง หรือยัดสายไฟฟ้าเพื่อถอดปลั๊กออกจากเต้าเสียบ กันสายไฟพาดออกจากความร้อน น้ำมัน ขอบแหลมคม หรือส่วนของเครื่องที่กำลังเคลื่อนไหว สายไฟฟ้าที่ชำรุดหรือพันกันยุ่ง เพิ่มความเสี่ยงจากการถูกไฟฟ้าดูด
- ▶ **เมื่อใช้เครื่องมือไฟฟ้าทำงานกลางแจ้ง ให้ใช้สายไฟ** ต่อที่ได้รับรองให้ใช้ต่อในที่กลางแจ้งเท่านั้น การใช้สายไฟต่อที่เหมาะสมสำหรับงานกลางแจ้งช่วยลดอันตรายจากการถูกไฟฟ้าดูด
- ▶ **หากไม่สามารถหลีกเลี่ยงการใช้เครื่องมือไฟฟ้าทำงาน** ในสถานที่เปียกชื้นได้ ให้ใช้วิธีหัดดวงจรมือเกิดการรั่วไหลของไฟฟ้าจากสายดิน การใช้วิธีหัดดวงจรมือเกิดการรั่วไหลของไฟฟ้าจากสายดินช่วยลดความเสี่ยงต่อการถูกไฟฟ้าดูด

ความปลอดภัยของบุคคล

- ▶ **ท่านต้องอยู่ในสภาพเตรียมพร้อม ระวังระมัดระวัง** ในสิ่งที่กำลังทำอยู่ และมีสติขณะใช้เครื่องมือไฟฟ้าทำงาน อย่าใช้เครื่องมือไฟฟ้าขณะที่ท่านกำลังเหนื่อย หรืออยู่ภายใต้การครอบงำของฤทธิ์ของยาเสพติด แอลกอฮอล์ และยา เมื่อใช้เครื่องมือไฟฟ้าทำงาน ในชั่วนาทีที่ท่านขาดความเอาใจใส่อาจทำใหบุคคลบาดเจ็บอย่างรุนแรงได้
- ▶ **ใช้อุปกรณ์ป้องกันร่างกาย สวมแว่นตาป้องกันเสมอ** อุปกรณ์ปกป้อง เช่น หน้ากากกันฝุ่น รองเท้ากันลื่น หมวกแข็ง หรือประภทกั้นเสียงดัง ที่เลือกใช้ตามความเหมาะสมกับสภาพการทำงาน สามารถลดอันตรายต่อบุคคลได้
- ▶ **ป้องกันการติดเครื่องโดยไม่ตั้งใจ ต้องดูให้แน่ใจว่า** สวิทช์อยู่ในตำแหน่งปิดก่อนเสียบปลั๊กไฟเข้าในเต้าเสียบ และ/หรือใส่แท่งแบตเตอรี่ ยุกขึ้นหรือถือเครื่องมือ การถือเครื่องโดยใช้นิ้วหัวที่สวิทช์ หรือเสียบปลั๊กไฟที่ขณะสวิทช์เปิดอยู่ อาจนำไปสู่อุบัติเหตุที่ร้ายแรงได้
- ▶ **เอาเครื่องมือปรับแต่งหรือประแจปากตายออกจาก** เครื่องมือไฟฟ้าก่อนเปิดสวิทช์ เครื่องมือหรือประแจปากตายที่วางอยู่กับส่วนของเครื่องที่กำลังหมุนจะทำให้บุคคลบาดเจ็บได้
- ▶ **หลีกเลี่ยงการตั้งค่าที่ผิดพลาด ตั้งทำยีนที่มั่นคงและ** วางน้ำหนักให้สมดุลตลอดเวลา ในลักษณะที่ท่านสามารถควบคุมเครื่องมือไฟฟ้าในสถานการณ์ที่ไม่คาดคิดได้ดีกว่า
- ▶ **ใส่เสื้อผ้าที่เหมาะสม อย่าใส่เสื้อผ้าหลวมหรือสวม** เครื่องประดับ เหามม เสื้อผ้า และถุงมือออกห่างส่วนของเครื่องที่กำลังหมุน เสื้อผ้าหลวม เครื่องประดับ และผมยาวอาจเข้าไปติดในส่วนของเครื่องที่กำลังหมุนได้
- ▶ **หากต้องต่อเครื่องมือไฟฟ้าเข้ากับเครื่องดูดฝุ่นหรือ** เครื่องเก็บผง ดูให้แน่ใจว่าการเชื่อมต่อและการใช้งานเป็นไปอย่างถูกต้อง การใช้อุปกรณ์ดูดฝุ่นช่วยลดอันตรายที่เกิดจากฝุ่นได้

การใช้และการดูแลรักษาเครื่องมือไฟฟ้า

- ▶ **อย่าใช้เครื่องมือไฟฟ้าอย่างหักโหม ใช้เครื่องมือไฟฟ้า** ที่ถูกต้องตรงตามลักษณะงาน เครื่องมือไฟฟ้าที่ต้องจะทำงานได้ดีกว่าและปลอดภัยกว่าในระดับสมรรถภาพที่ออกแบบไว้
- ▶ **อย่าใช้เครื่องมือไฟฟ้าที่สวิทช์เปิดปิดเสีย** เครื่องมือไฟฟ้าที่ไม่สามารถควบคุมการเปิดปิดด้วยสวิทช์ได้ เป็นเครื่องมือไฟฟ้าที่ไม่ปลอดภัยและต้องส่งซ่อมแซม
- ▶ **ก่อนปรับแต่งเครื่อง เปลี่ยนอุปกรณ์ประกอบ หรือ** เก็บเครื่องเข้าที่ ต้องถอดปลั๊กไฟออกจากเต้าเสียบ และ/หรือถอดแท่งแบตเตอรี่ออกจากเครื่องมือไฟฟ้า มาตรการป้องกันเพื่อความปลอดภัยซึ่งช่วยลดความเสี่ยงจากการติดเครื่องโดยไม่ตั้งใจ
- ▶ **เมื่อเลิกใช้งานเครื่องมือไฟฟ้า ให้เก็บเครื่องมือไว้ในที่** เด็กหยิบไม่ถึง และไม่อนุญาตให้บุคคลที่ไม่คุ้นเคยกับเครื่องหรือบุคคลที่ไม่ได้อ่านคำแนะนำนี้ใช้เครื่องมือไฟฟ้าเป็นของอันตรายหากตกอยู่ในมือของผู้ใช้ที่ไม่ได้รับการฝึกฝน
- ▶ **เอาใจใส่ดูแลรักษาเครื่อง ตรวจสอบส่วนที่เคลื่อนไหว** ได้ของเครื่องว่าวางอยู่ตรงแนวหรือติดขัดหรือไม่ ตรวจสอบการแตกหักของชิ้นส่วนและสภาพอินไดที่อาจมีผลต่อการทำงานของเครื่องมือไฟฟ้า หากชำรุดต้องส่งเครื่องมือไฟฟ้าซ่อมแซมก่อนใช้งาน อุบัติเหตุหลายอย่างเกิดขึ้นเนื่องจากดูแลรักษาเครื่องไม่ดีพอ
- ▶ **รักษาเครื่องมือตัดให้คมและสะอาด** หากบำรุงรักษาเครื่องมือที่มีขอบตัดแหลมคมอย่างถูกต้อง จะสามารถตัดได้ลื่นไม่ติดขัดและควบคุมได้ง่ายกว่า
- ▶ **ใช้เครื่องมือไฟฟ้า อุปกรณ์ประกอบ เครื่องมือ และ** อุปกรณ์อื่นๆ ให้ตรงตามคำแนะนำ และในลักษณะตามที่เครื่องมือไฟฟ้าประเภทนั้นๆ กำหนดไว้ โดยต้องคำนึงถึงเงื่อนไขการทำงานและงานที่จะทำด้วย การใช้เครื่องมือไฟฟ้าทำงานที่ต่างไปจากวัตถุประสงค์การใช้งานของเครื่อง อาจนำไปสู่สถานการณ์ที่เป็นอันตรายได้

การบริการ

- ▶ **ส่งเครื่องมือไฟฟ้าให้ช่างผู้เชี่ยวชาญตรวจสอบและใช้** อะไหล่เปลี่ยนของแท้เท่านั้น ในลักษณะมีท่านจะแน่ใจได้ว่าเครื่องมือไฟฟ้าอยู่ในสภาพที่ปลอดภัย

คำแนะนำเพื่อความปลอดภัยสำหรับเครื่องตัดพองน้ำ

- ▶ **เมื่อทำงานในบริเวณที่อุปกรณ์ตัดอาจสัมผัสกับสาย** ไฟฟ้าที่ซ่อนอยู่หรือสายไฟฟ้าของเครื่อง ต้องจับเครื่องมือไฟฟ้าตรงตำแหน่งที่หมุนวน หากอุปกรณ์ตัดสัมผัสกับสายที่มีกระแสไฟฟ้าไหลผ่านจะทำให้ส่วนที่เป็นโลหะของเครื่องมือไฟฟ้าเกิดมีกระแสไฟฟ้าด้วย และส่งผลให้ผู้ใช้เครื่องมือถูกไฟฟ้ากระตุกได้
- ▶ **เอามือออกจากบริเวณแนวเลื่อย อย่าเอื้อมมือเข้าได้** ชี้นงาน การสัมผัสกับใบเลื่อยจะทำให้บาดเจ็บได้

20 | ภาษาไทย

รายละเอียดผลิตภัณฑ์และ ข้อมูลจำเพาะ



ต้องอ่านคำเตือนเพื่อความปลอดภัยและคำสั่งทั้งหมด การไม่ปฏิบัติตามคำเตือนและคำสั่งอาจเป็นสาเหตุให้ถูกไฟฟ้าดูด เกิดไฟไหม้ และ/หรือได้รับบาดเจ็บอย่างร้ายแรง

ประโยชน์การใช้งานของเครื่อง

เครื่องมือไฟฟ้านี้ใช้สำหรับตัดโฟมพลาสติก โฟมยาง และวัสดุที่คล้ายคลึงกัน เป็นรูปทรงต่างๆ

ส่วนประกอบผลิตภัณฑ์

ลำดับเลขของส่วนประกอบผลิตภัณฑ์อ้างอิงถึงส่วนประกอบของเครื่องที่แสดงในหน้าภาพประกอบ

- 1 สวิตช์เปิด-ปิด
- 2 รางนำใบเลื่อย*
- 3 ชุดใบเลื่อยคู่*
- 4 แผ่นฐาน
- 5 ด้ามจับ (พื้นผิวจับหุ้มฉนวน)
- 6 สกรู
- 7 แผ่นครอบ
- 8 สกรูที่มีหัวเกลียวเป็นสัน
- 9 สกรูยึดสำหรับแผ่นฐาน

* อุปกรณ์ประกอบที่แสดงหรือระบุไม่รวมอยู่ในการจัดส่งมาตรฐาน กรุณาดูอุปกรณ์ประกอบทั้งหมดในรายการแสดงอุปกรณ์ประกอบของเรา

ข้อมูลทางเทคนิค

เครื่องตัดฟองน้ำ	GSG 300	
หมายเลขสินค้า		0 601 575 1..
กำลังไฟฟ้าเข้ากำหนด	วัตต์	350
กำลังไฟฟ้าออก	วัตต์	185
ความเร็วรอบเดินตัวเปล่า n_0	รอบ/นาที	3500
ความเร็วรอบขณะใช้งาน	รอบ/นาที	2100
ความสามารถในการเลื่อยสูงสุด	มม.	300
น้ำหนักตามระเบียบการ-EPTA-Procedure 01:2014	กก.	1.6
ระดับความปลอดภัย		□/II
ค่าที่ให้ใช้ได้กับแรงดันไฟฟ้าระบุ [U] 230 โวลต์ ค่าเหล่านี้อาจผิดแผกไปสำหรับแรงดันไฟฟ้าที่ต่ำกว่า และโมเดลที่สร้างสำหรับเฉพาะประเทศ		

การประกอบ

▶ **ดึงปลั๊กไฟออกจากเต้าเสียบก่อนปรับแต่งเครื่อง**

การประกอบรางนำใบเลื่อย (ดูภาพประกอบ A)

ถอดสกรู 6 ออกจากตัวเครื่อง จับรางนำใบเลื่อย 2 เข้าหาตัวเครื่อง โดยให้หมุดเกี่ยวสอดอยู่ในรูที่ลงรอยกัน และยึดให้แน่นด้วยสกรู 6

การใส่/การเปลี่ยนใบเลื่อย (ดูภาพประกอบ B)

▶ **สวมถุงมือป้องกันเมื่อติดตั้งใบเลื่อย** เมื่อสัมผัสใบเลื่อยอาจทำให้ได้รับบาดเจ็บ

คลายสกรูที่มีหัวเกลียวเป็นสัน 8 และถอดสกรูพร้อมวงแหวนสปริงและแผ่นครอบ 7 ออก

- 1 ขั้นแรก ให้ใส่ชุดใบเลื่อยคู่ 3 เข้าตรงปลายของรางนำใบเลื่อย 2 เอาใจใส่ดูให้ร่องทางยาวของใบเลื่อยขบเข้าในหมุดนำของรางนำใบเลื่อย
- 2 ขั้นที่สอง ให้แขวนส่วนบนของชุดใบเลื่อยคู่ 3 เข้าบนเดือยรับการขับเคลื่อน โดยดูให้แน่ใจว่าใบเลื่อยได้เข้าอยู่ในรางนำอย่างถูกต้องแล้ว

สวมแผ่นครอบ 7 เข้าในสกรูบนตัวเครื่อง และยึดให้แน่นด้วยสกรูที่มีหัวเกลียวเป็นสัน 8 โดยดูให้แน่ใจว่าได้ประกอบวงแหวนสปริงเข้าไปด้วย

การประกอบแผ่นฐาน (ดูภาพประกอบ C)

ใส่รางนำใบเลื่อย 2 เข้าในร่องบากที่ลงรอยกันบนแผ่นฐาน 4 ชั้นสกรูยึดเข้าให้แน่น 9

การตัดฝุ่น/ขี้เลื่อย

▶ ฝุ่นที่ได้จากวัสดุ เช่น เคลือบผิวที่มีสารตะกั่ว ไม่บางประเภท แร่ธาตุ และโลหะ อาจเป็นอันตรายต่อสุขภาพ การสัมผัสหรือการหายใจเอาฝุ่นเข้าไปอาจทำให้เกิดปฏิกิริยาแพ้ฝุ่นและ/หรือนำมาซึ่งโรคติดเชื้อระบบหายใจแก่ผู้ใช้เครื่อง หรือผู้ที่ยืนอยู่ใกล้เคียง

ฝุ่นบางประเภท เช่น ฝุ่นไม้โอ๊ก หรือไม้บีช นับเป็นสารที่ทำให้เกิดมะเร็ง โดยเฉพาะอย่างยิ่งเมื่อผสมกับสารเติมแต่งเพื่อบำบัดไม้ (โครเมต ผลิตภัณฑ์รักษาเนื้อไม้) สำหรับวัสดุที่มีแอลเบสทอลต้องให้ผู้เชี่ยวชาญทำงานเท่านั้น

- จัดสถานที่ทำงานให้มีการระบายอากาศที่ดี
- ขอแนะนำให้สวมหน้ากากป้องกันการติดเชื้อที่มีระดับ-ไส้กรอง P2

ปฏิบัติตามกฎข้อบังคับสำคัญอื่นๆ ที่เกี่ยวกับวัสดุชิ้นงานที่บังคับใช้ในประเทศของท่าน

การปฏิบัติงาน

เริ่มต้นปฏิบัติงาน

▶ **ให้สังเกตแรงดันไฟฟ้า! แรงดันไฟฟ้าจากแหล่งจ่ายไฟฟ้าต้องมีค่าตรงกับค่าแรงดันไฟฟ้าที่ระบุไว้บนแผ่นป้ายติดเครื่อง**

การเปิด-ปิดเครื่อง

เปิดสวิตช์ เครื่องมือไฟฟ้าโดยกดสวิตช์เปิด-ปิด 1 และกดค้างไว้

ล็อคเครื่อง ทำงานโดยกดสวิตช์เปิด-ปิด 1 เลื่อนสวิตช์เปิด-ปิด 1 ไปด้านท้าย

ปิดเครื่อง โดยปล่อยนิ้วจากสวิตช์เปิด-ปิด 1 หรือเมื่อเครื่องลู่ออกการทำงานอยู่ ให้กดสวิตช์เปิด-ปิด 1 สั้นๆ และปล่อยนิ้ว

ข้อแนะนำในการทำงาน

▶ ดึงปลั๊กไฟออกจากเต้าเสียบก่อนปรับแต่งเครื่อง

ใบเลื่อยและรางนำใบเลื่อย

รางนำใบเลื่อยและใบเลื่อยที่เข้าชุดกันมีให้เลือกใช้มากมายหลายชนิดขึ้นกับความหนาของวัสดุที่จะตัด สำหรับข้อมูลเพิ่มเติม กรุณาดูในหัวข้อสรุปเกี่ยวกับอุปกรณ์ประกอบ

แผ่นฐาน

ท่านสามารถใช้เครื่องตัดฟองน้ำทำงานโดยใช้หรือไม่ใช้แผ่นฐานร่วมด้วยก็ได้ แผ่นฐานมีลูกกลิ้งประกอบติดอยู่ ทำให้เคลื่อนนำเครื่องตัดได้สะดวกและสามารถตัดเป็นมุมฉากได้ สำหรับการตัดไม้เลือกแบบและการตัดออก ขอแนะนำให้ทำงานโดยไม่ใช้แผ่นฐาน

การตัดฟองน้ำ

เพื่อให้ได้งานตัดที่ประณีต โดยเฉพาะอย่างยิ่งเมื่อตัดฟองน้ำอ่อนนุ่มและวัสดุคล้ายคลึง ให้ป้อนชิ้นงานเข้าหาเครื่องด้วยแรงกดพอประมาณ ขณะทำงานอย่าบีบวัสดุเข้าหากัน หรือยึดวัสดุออกจากกันแรงเกินควร

ถอดแผ่นฐานออกเมื่อต้องการตัดออกขนาดเล็ก ใช้มีดหรือกรรไกรเจาะวัสดุ จากนั้นให้ใส่รางนำใบเลื่อยเข้าในรูเจาะและทำการตัดออก

สำหรับการตัดออกที่ใหญ่กว่า ต้องเจาะช่องทางเข้าที่ใหญ่พอที่จะใส่รางนำใบเลื่อยพร้อมแผ่นฐานที่ประกอบติดอยู่เข้าไปได้ เอาใจใส่ดูไม่ให้มีสิ่งกีดขวางอยู่ใต้วัสดุ เคลื่อนเครื่องมือไฟฟ้าโดยใช้แรงกดพอประมาณไปตามเส้นตัดออก

การบำรุงรักษาและการบริการ

การบำรุงรักษาและการทำความสะอาด

▶ ดึงปลั๊กไฟออกจากเต้าเสียบก่อนปรับแต่งเครื่อง

▶ เพื่อให้ทำงานได้อย่างถูกต้องและปลอดภัย ต้องรักษาเครื่องและช่องระบายอากาศให้สะอาดอยู่เสมอ

ทำความสะอาดรางนำใบเลื่อยและใบเลื่อยเป็นประจำ คือหลังจากปฏิบัติงานไปแล้วประมาณ 8 ชั่วโมง ให้ถอดใบเลื่อยออกจากเครื่องมือไฟฟ้าและทำความสะอาดด้วยน้ำมันเบนซินเป็นดีที่สุด หากจำเป็นให้ใช้เครื่องดูดเพื่อทำความสะอาดรางนำใบเลื่อย ทาน้ำมันเคลือบต่างๆ บนรางนำใบเลื่อยก่อนประกอบใบเลื่อยใหม่หรือใบเลื่อยที่ลับคมเข้าไป

เมื่อจำเป็นต้องเปลี่ยนสายไฟฟ้า ให้ส่งเครื่องให้บริษัท บ็อชหรือศูนย์บริการลูกค้าสำหรับเครื่องมือไฟฟ้า บ็อช ที่ได้รับมอบหมายทำการเปลี่ยนให้ เพื่อหลีกเลี่ยงอันตรายด้านความปลอดภัย

การบริการหลังการขายและคำแนะนำการใช้งาน

ศูนย์บริการหลังการขายของเรายินดีตอบคำถามเกี่ยวกับการบำรุงรักษาและการซ่อมแซมผลิตภัณฑ์ของท่าน รวมทั้งชิ้นส่วนอะไหล่ ภาพแยกชิ้นประกอบและข้อมูลเกี่ยวกับชิ้นส่วนอะไหล่ยังสามารถดูได้ใน:

www.bosch-pt.com

ทีมงานให้คำแนะนำการใช้งานของ บ็อช ยินดีตอบคำถามเกี่ยวกับผลิตภัณฑ์ของเราและอุปกรณ์ประกอบของผลิตภัณฑ์

เมื่อต้องการสอบถามและสั่งซื้ออะไหล่ กรุณาแจ้งหมายเลขสินค้า 10 หลักบนแผ่นป้ายรุ่นของผลิตภัณฑ์ทุกครั้งในกรณีประกัน ซ่อมแซม หรือซื้อชิ้นส่วนมาเปลี่ยน กรุณาติดต่อ ผู้ขายที่ได้รับแต่งตั้งเท่านั้น

ไทย

บริษัท โรเบิร์ต บ็อช จำกัด
ชั้น 11 ตึกลิเบอร์ตี สแควร์
287 ถนนสีลม บางรัก
กรุงเทพฯ 10500
โทรศัพท์ 02 6393111
โทรสาร 02 2384783
บริษัท โรเบิร์ต บ็อช จำกัด ตู้ ปณ. 2054
กรุงเทพฯ 10501 ประเทศไทย
www.bosch.co.th

ศูนย์บริการซ่อมและฝึกอบรม บ็อช
อาคาร ลาซาลทาวเวอร์ ชั้น G ห้องเลขที่ 2
บ้านเลขที่ 10/11 หมู่ 16
ถนนศรีนครินทร์
ตำบลบางแก้ว อำเภอบางพลี
จังหวัดสมุทรปราการ 10540
ประเทศไทย
โทรศัพท์ 02 7587555
โทรสาร 02 7587525

การกำจัดขยะ

เครื่องมือ อุปกรณ์ประกอบ และหีบห่อ ต้องนำไปแยกประเภทวัสดุเพื่อนำกลับมาใช้ใหม่โดยไม่ทำลายสภาพแวดล้อม อย่างไรก็ตามเครื่องมือไฟฟ้าลงในขยะบ้าน!

ขอสงวนสิทธิ์ในการเปลี่ยนแปลงโดยไม่ต้องแจ้งล่วงหน้า

Bahasa Indonesia

Petunjuk-Petunjuk untuk Keselamatan Kerja

Petunjuk-Petunjuk Umum untuk Perkakas Listrik

⚠ PERHATIKANLAH Bacalah semua petunjuk-petunjuk untuk keselamatan kerja dan petunjuk-petunjuk untuk penggunaan.

Kesalahan dalam menjalankan petunjuk-petunjuk untuk keselamatan kerja dan petunjuk-petunjuk untuk penggunaan dapat mengakibatkan kontak listrik, kebakaran dan/atau luka-luka yang berat.

Simpanlah semua petunjuk-petunjuk untuk keselamatan kerja dan petunjuk-petunjuk lainnya untuk penggunaan di masa depan.

Kata „perkakas listrik“ yang disebutkan di dalam petunjuk-petunjuk untuk keselamatan kerja adalah sebutan untuk perkakas listrik pakai listrik jaringan (dengan kabel) dan untuk perkakas listrik tenaga baterai (tanpa kabel listrik).

22 | Bahasa Indonesia

Keselamatan kerja di tempat kerja▶ **Jagalah supaya tempat kerja selalu bersih dan terang.**

Tempat kerja yang tidak rapi atau tidak terang dapat mengakibatkan terjadinya kecelakaan.

▶ **Janganlah menggunakan perkakas listrik di tempat di mana dapat terjadi ledakan, di mana ada cairan, gas atau debu yang mudah terbakar.** Perkakas listrik dapat memancarkan bunga api yang lalu mengakibatkan debu atau uap terbakar.▶ **Selama menggunakan perkakas listrik, jauhkan anak-anak dan orang-orang lain dari tempat kerja.** Jika konsentrasi terganggu, bisa jadi Anda tidak bisa mengendalikan perkakas listrik tersebut.**Keamanan listrik**▶ **Steker dari perkakas listrik harus cocok pada stopkontak. Janganlah sekali-kali merubah steker. Janganlah menggunakan steker perantara bersama dengan perkakas listrik yang mempunyai hubungan arde.** Steker yang tidak dirubah dan stopkontak yang cocok mengurangi bahaya terjadinya kontak listrik.▶ **Jagalah supaya badan Anda tidak bersentuhan dengan permukaan yang mempunyai hubungan arde, misalnya pipa-pipa, radiator pemanas ruangan, kompor listrik dan lemari es.** Ada risiko besar terjadi kontak listrik, jika badan Anda mempunyai hubungan arde.▶ **Jagalah supaya perkakas listrik tidak kena hujan atau menjadi basah.** Air yang masuk ke dalam perkakas listrik menambah risiko terjadinya kontak listrik.▶ **Janganlah menyalahgunakan kabel listrik untuk mengangkat dan menggantungkan perkakas listrik atau untuk menarik steker dari stopkontak. Jagalah supaya kabel listrik tidak kena panas, minyak, pinggiran yang tajam atau bagian-bagian perkakas yang bergerak.** Kabel listrik yang rusak atau tersangkut menambah risiko terjadinya kontak listrik.▶ **Jika Anda menggunakan perkakas listrik di luar gedung, gunakanlah hanya kabel sambungan yang juga cocok untuk pemakaian di luar gedung.** Penggunaan kabel sambungan yang cocok untuk pemakaian di luar gedung mengurangi risiko terjadinya kontak listrik.▶ **Jika penggunaan perkakas listrik di tempat yang basah tidak bisa dihindarkan, gunakanlah sakelar pengaman terhadap arus penyimpangan.** Penggunaan sakelar pengaman terhadap arus penyimpangan mengurangi risiko terjadinya kontak listrik.**Keselamatan kerja**▶ **Berhati-hatilah selalu, perhatikanlah apa yang Anda kerjakan dan bekerjalah dengan seksama jika menggunakan perkakas listrik. Janganlah menggunakan perkakas listrik, jika Anda capai atau berada di bawah pengaruh narkoba, minuman keras atau obat.** Jika Anda sekejap mata saja tidak berhati-hati sewaktu menggunakan perkakas listrik, dapat terjadi luka-luka berat.▶ **Pakailah pakaian dan sarana pelindung dan pakailah selalu kaca mata pelindung.** Dengan memakai pakaian dan sarana pelindung, misalnya kedok anti debu (masker),

sepatu tertutup yang tidak licin, helm pelindung atau pemalut telinga sesuai dengan pekerjaan yang dilakukan dengan perkakas listrik, bahaya terjadinya luka-luka dapat dikurangi.

▶ **Jagalah supaya perkakas listrik tidak dihidupkan secara tidak disengaja. Perhatikan bahwa perkakas listrik dalam penyetelan mati, jika steker disambungkan pada pengadaan listrik dan/atau baterai, jika perkakas listrik diangkat atau dibawa.** Jika selama mengangkat perkakas listrik jari Anda berada pada tombol untuk menghidupkan dan mematikan atau perkakas listrik yang dalam penyetelan hidup disambungkan pada listrik, dapat terjadi kecelakaan.▶ **Lepaskan semua perkakas-perkakas penyetelan atau kunci-kunci pas sebelum perkakas listrik dihidupkan.** Perkakas atau kunci yang berada di dalam bagian yang berputar dapat mengakibatkan terjadinya luka-luka.▶ **Aturkan badan sedemikian sehingga Anda bisa bekerja dengan aman. Berdirilah secara mantap dan jagalah selalu keseimbangan.** Dengan demikian Anda bisa mengendalikan perkakas listrik dengan lebih baik, jika terjadi sesuatu dengan tiba-tiba.▶ **Pakailah pakaian yang cocok. Janganlah memakai pakaian yang longgar atau perhiasan. Jagalah supaya rambut, pakaian dan sarung tangan tidak masuk dalam bagian-bagian perkakas yang bergerak.** Pakaian yang longgar, rambut panjang atau perhiasan dapat tersangkut dalam bagian perkakas yang bergerak.▶ **Jika ada kemungkinan untuk memasangkan sarana penghisapan dan penampungan debu, perhatikan bahwa sarana-sarana ini telah dipasang dan digunakan dengan betul.** Penggunaan sarana penghisapan bisa mengurangi bahaya yang disebabkan debu.**Penggunaan dan penanganan perkakas listrik dengan seksama**▶ **Janganlah membebankan perkakas listrik terlalu berat. Gunakan selalu perkakas listrik yang cocok untuk pekerjaan yang dilakukan.** Dengan perkakas listrik yang cocok Anda bekerja lebih baik dan lebih aman dalam batas-batas kemampuan yang ditentukan.▶ **Janganlah menggunakan perkakas listrik yang tombolnya rusak.** Perkakas listrik yang tidak bisa dihidupkan atau dimatikan, berbahaya dan harus direparasikan.▶ **Tariklah steker dari stopkontak dan/atau keluarkan baterai, sebelum Anda melakukan penyetelan pada perkakas listrik, mengganti alat-alat kerja atau sebelum menyimpan perkakas listrik.** Tindakan keselamatan kerja ini mengurangi bahaya perkakas listrik hidup secara tidak disengaja.▶ **Simpanlah perkakas listrik yang tidak digunakan di luar jangkauan anak-anak. Janganlah mengizinkan orang-orang yang tidak mengenal perkakas listrik ini atau yang belum membaca petunjuk-petunjuk ini, menggunakan perkakas listrik ini.** Perkakas listrik bisa menjadi berbahaya, jika digunakan oleh orang-orang yang tidak mengenalnya.

- ▶ **Rawatlah perkakas listrik dengan seksama. Periksa, apakah bagian-bagian perkakas listrik yang bergerak berfungsi dengan baik dan tidak tersangkut, apakah ada bagian-bagian yang patah atau rusak sedemikian, sehingga dapat mempengaruhi jalannya perkakas listrik. Biarkan bagian-bagian perkakas yang rusak direparasikan, sebelum Anda mulai menggunakan perkakas listrik.** Banyak kecelakaan terjadi karena perkakas listrik tidak dirawat dengan seksama.
- ▶ **Perhatikan supaya alat-alat pemotong selalu tajam dan bersih.** Alat-alat pemotong dengan mata-mata pemotong yang tajam dan dirawat dengan seksama tidak mudah tersangkut dan lebih mudah dikendalikan.
- ▶ **Gunakanlah semua perkakas listrik, aksesor, alat-alat kerja dsb. sesuai dengan petunjuk-petunjuk. Perhatikan syarat-syarat kerja dan macam pekerjaan yang dilakukan.** Penggunaan perkakas listrik untuk macam pekerjaan yang tidak cocok dengan kegunaannya bisa mengakibatkan keadaan yang berbahaya.

Servis

- ▶ **Biarkan perkakas listrik Anda direparasikan hanya oleh orang-orang ahli yang berpengalaman dan hanya dengan menggunakan suku cadang yang asli.** Dengan demikian terjamin keselamatan kerja dengan perkakas listrik ini secara berkesinambungan.

Petunjuk keamanan mesin gergaji bahan busa

- ▶ **Peganglah perkakas listrik hanya pada pegangan yang terisolir jika Anda melakukan pekerjaan yang memungkinkan alat pemotong ini menjalin kontak dengan kabel listrik yang tidak terlihat atau kabelnya sendiri.** Alat kerja yang bersentuhan dengan kabel yang bertegangan dapat mengakibatkan bagian-bagian logam dari perkakas listrik juga ikut dialiri tegangan arus dan mengakibatkan terjadinya kontak listrik.
- ▶ **Jauhkan tangan-tangan Anda dari tempat penggergajian. Janganlah menjangkau di bawah benda yang dikerjakan.** Persentuhan dengan mata gergaji bisa mengakibatkan luka-luka.

Penjelasan tentang produk dan daya



Bacalah semua petunjuk-petunjuk untuk keselamatan kerja dan petunjuk-petunjuk untuk penggunaan. Kesalahan dalam menjalankan petunjuk-petunjuk untuk keselamatan kerja dan petunjuk-petunjuk untuk penggunaan dapat mengakibatkan kontak listrik, kebakaran dan/atau luka-luka yang berat.

Penggunaan alat

Perkakas listrik ini sesuai untuk memotong berbagai bentuk plastik busa, karet busa dan material sejenisnya.

Bagian-bagian pada gambar

Nomor-nomor dari bagian-bagian perkakas pada gambar sesuai dengan gambar perkakas listrik pada halaman bergambar.

- 1 Tombol untuk menghidupkan dan mematikan
- 2 Punggung mata gergaji*
- 3 Mata gergaji berganda*
- 4 Pelat dasar
- 5 Pegangan (genggaman terisolir)
- 6 Baut
- 7 Pelat penutup
- 8 Mur tangan
- 9 Baut pemegang untuk pelat dasar

*Aksesor yang ada pada gambar atau yang dijelaskan, tidak termasuk pasokan standar. Semua aksesor yang ada bisa Anda lihat dalam program aksesor Bosch.

Data teknis

Mesin gergaji bahan busa	GSG 300	
Nomor model		0 601 575 1..
Masukan nominal	W	350
Daya	W	185
Banyaknya langkah tanpa beban n_0	min ⁻¹	3500
Banyaknya langkah sewaktu dibebani	min ⁻¹	2100
Kedalaman pemotongan maks.	mm	300
Berat sesuai dengan EPTA-Procedure 01:2014	kg	1,6
Klasifikasi keamanan		□/II

Data-data berlaku untuk tegangan nominal [U] 230 V. Pada tegangan yang lebih rendah dan pada model khusus mancanegara data-data ini bisa berlainan.

Cara memasang

- ▶ **Sebelum mulai dengan pekerjaan pada perkakas listrik, tariklah steker dari stopkontak.**

Memasang punggung mata gergaji (lihat gambar A)

Lepaskan baut-baut **6** dari rumah dan singkirkan. Pasangkan punggung mata gergaji **2** sedemikian pada rumah, sehingga pin posisi cocok pada lubang-lubangnya. Kencangkan punggung mata gergaji **2** dengan baut-baut **6** pada rumah mesin.

Memasang/mengganti mata gergaji (lihat gambar B)

- ▶ **Kenakan sarung tangan pelindung saat memasang mata gergaji.** Terdapat risiko cedera apabila menyentuh mata gergaji.

Kendorkan mur tangan-mur tangan **8** dan lepaskannya bersama dengan ring fer-ring fer dan pelat penutup **7**.

24 | Bahasa Indonesia

- Masukkan mata gergaji berganda **3** di bagian bawah dari punggung mata gergaji **2** dahulu. Perhatikanlah supaya lubang memanjang dari mata gergaji-mata gergaji berada pada pin posisi dari punggung mata gergaji.
- Setelah itu, gantungkan mata gergaji berganda **3** sedemikian pada hidung pembawa, sehingga mata gergaji-mata gergaji duduk pas dalam punggung mata gergaji.

Pasangkan pelat penutup **7** pada pin berulir pada rumah dan kencangkannya dengan mur tangan-mur tangan **8**. Perhatikanlah supaya ring fer-ring fer terpasang.

Memasang pelat dasar (lihat gambar C)

Pasangkan punggung mata gergaji **2** pada lubang untuknya pada pelat dasar **4**. Kencangkan baut pemegang untuk pelat dasar **9**.

Penghisapan debu/serbuk

- ▶ Debu dari bahan-bahan seperti misalnya cat yang mengandung timbel (timah hitam), beberapa jenis kayu, bahan mineral dan logam bisa berbahaya bagi kesehatan. Menyentuh atau menghirup debu-debu ini bisa mengakibatkan reaksi alergi dan/atau penyakit saluran pernafasan dari orang yang menggunakan mesin atau orang yang berada di dekatnya. Beberapa debu tertentu seperti misalnya debu kayu pohon quercus atau pohon fagus silvatica dianggap bisa mengakibatkan penyakit kanker, terutama dalam campuran dengan bahan-bahan tambahan untuk pengolahan kayu (kromat, obat pengawet kayu). Bahan-bahan yang mengandung asbestos hanya boleh dikerjakan oleh orang-orang yang ahli.

- Perhatikanlah supaya ada pertukaran udara di tempat kerja.
- Kami anjurkan supaya Anda memakai kedok anti debu dengan saringan (filter) kelas P2.

Taatilah peraturan-peraturan untuk bahan-bahan yang dikerjakan yang berlaku di negara Anda.

Penggunaan

Cara penggunaan

- ▶ **Perhatikan tegangan jaringan listrik! Tegangan jaringan listrik harus sesuai dengan tegangan listrik yang tercantum pada label tipe perkakas listrik.**

Menghidupkan/mematikan

Untuk **Menyalakan** perkakas listrik, tekanlah switch on/off **1** dan tahan.

Untuk **menahan** tekanan pada tombol untuk menghidupkan dan mematikan mesin **1**, dorongkan tombol **1** ke belakang.

Untuk **mematikan** perkakas listrik, lepaskan tombol untuk menghidupkan dan mematikan **1** atau jika tombol terkunci, tekan tombol **1** sebentar saja dan kemudian lepaskan.

Petunjuk-petunjuk untuk pemakaian

- ▶ **Sebelum mulai dengan pekerjaan pada perkakas listrik, tariklah steker dari stopkontak.**

Mata gergaji dan punggung mata gergaji

Tergantung dari ketebalan bahan yang dikerjakan, bisa dipasangkan berbagai macam punggung mata gergaji dan mata gergaji yang cocok padanya, untuk hal ini lihatlah daftar dari aksesoris.

Pelat dasar pakai roda

Mesin gergaji bahan busa bisa digunakan dengan atau tanpa pelat dasar. Dengan pelat dasar pakai roda mesin bisa dikendalikan dengan mudah dan untuk pemotongan yang tegak lurus.

Untuk membuat pemotongan yang beraneka bentuknya atau pemotongan dalam lingkup tertutup, sebaiknya tidak digunakan pelat dasar.

Mengerjakan bahan busa

Untuk membuat pemotongan yang amat teliti, terutama jika mengerjakan bahan busa yang lunak atau bahan-bahan serupa, janganlah mendorong mesin terlalu kuat. Selama mengerjakan bahan, janganlah menarik atau menekan bahan terlalu keras.

Lepaskan pelat dasar jika mengerjakan pemotongan kecil dalam lingkup tertutup. Tusukkan pisau atau gunting ke dalam bahan, kemudian punggung mata gergaji dimasukkan dalam lubang kecil ini, lalu pemotongan dalam lingkup tertutup bisa dikerjakan.

Jika membuat pemotongan yang besar dalam lingkup tertutup, lubang permulaan harus dibuat sedemikian besarnya sehingga punggung mata gergaji dengan pelat dasar yang sudah dipasangkan, bisa melalui lubang ini. Perhatikanlah bahwa alas di mana bahan terletak, bebas dari benda-benda lainnya. Jalankan perkakas listrik dengan dorongan yang tidak terlalu besar pada garis pemotongan.

Rawatan dan servis

Rawatan dan kebersihan

- ▶ **Sebelum mulai dengan pekerjaan pada perkakas listrik, tariklah steker dari stopkontak.**
- ▶ **Perkakas listrik dan lubang ventilasi harus selalu dibersihkan supaya perkakas bisa digunakan dengan baik dan aman.**

Bersihkanlah punggung mata gergaji dan mata gergaji-mata gergaji secara berkala, yaitu setiap kali setelah digunakan kira-kira 8 jam. Untuk membersihkan, keluarkan mata gergaji-mata gergaji dari perkakas listrik dan bersihkan mata gergaji-mata gergaji sebaiknya dengan bensin. Jika perlu, gunakan sekrap untuk membersihkan punggung mata gergaji. Lumasi sedikit punggung mata gergaji sebelum memasang mata gergaji yang baru atau mata gergaji yang telah diasah.

Jika kabel listrik harus digantikan, pekerjaan ini harus dilakukan oleh Bosch atau Service Center untuk perkakas listrik Bosch yang resmi, supaya keselamatan kerja selalu terjamin.

Layanan pasca beli dan konseling terkait pengoperasian

Layanan pasca beli Bosch menjawab semua pertanyaan Anda terkait reparasi dan maintenance serta suku cadang produk ini. Gambar tiga dimensi dan informasi terkait suku cadang dapat Anda lihat di:

www.bosch-pt.com

Tim konseling pengoperasian dari Bosch dengan senang hati membantu Anda, jika Anda hendak bertanya tentang produk-produk kami dan aksesorisnya.

Jika Anda hendak menanyakan sesuatu atau memesan suku cadang, sebutkan selalu nomor model yang terdiri dari 10 angka dan tercantum pada label tipe produk.

Indonesia

PT Robert Bosch
Palma Tower 10th Floor
Jl. RA Kartini II-S Kaveling 6 Sek II
Pondok Pinang, Kebayoran Lama
Jakarta Selatan 12310
Indonesia
Tel.: (021) 3005 5800
Fax: (021) 3005 5801
E-Mail: boschpowertools@id.bosch.com
www.bosch-pt.co.id

Cara membuang

Perkakas listrik, aksesoris dan kemasan sebaiknya didaur ulangkan sesuai dengan upaya untuk melindungi lingkungan hidup.

Janganlah membuang perkakas listrik dalam sampah rumah tangga!

Perubahan dapat terjadi tanpa pemberitahuan sebelumnya.

Tiếng Việt

Các Nguyên Tắc An Toàn

Cảnh báo tổng quát cách sử dụng an toàn dụng cụ điện cầm tay

⚠ CẢNH BÁO Đọc kỹ mọi cảnh báo an toàn và hướng dẫn. Không tuân thủ mọi cảnh báo và hướng dẫn được liệt kê dưới đây có thể bị điện giật, gây cháy và/hay bị thương tật nghiêm trọng.

Hãy giữ tất cả tài liệu về cảnh báo và hướng dẫn để tham khảo về sau.

Thuật ngữ “dụng cụ điện cầm tay” trong phần cảnh báo là để cập đến sự sử dụng dụng cụ điện cầm tay của bạn, loại sử dụng điện nguồn (có dây cắm điện) hay vận hành bằng pin (không dây cắm điện).

Khu vực làm việc an toàn

- ▶ **Giữ nơi làm việc sạch và đủ ánh sáng.** Nơi làm việc bừa bộn và tối tăm dễ gây ra tai nạn.
- ▶ **Không vận hành dụng cụ điện cầm tay trong môi trường dễ gây nổ, chẳng hạn như nơi có chất lỏng dễ cháy, khí đốt hay rác.** Dụng cụ điện cầm tay tạo ra các tia lửa nên có thể làm rác bén cháy hay bốc khói.
- ▶ **Không để trẻ em hay người đến xem đứng gần khi vận hành dụng cụ điện cầm tay.** Sự phân tâm có thể gây ra sự mất điều khiển.

An toàn về điện

- ▶ **Phích cắm của dụng cụ điện cầm tay phải thích hợp với ổ cắm. Không bao giờ được cải biến lại phích cắm dưới mọi hình thức. Không được sử dụng phích cắm hợp nối tiếp đất (dây mát).** Phích cắm nguyên bản và ổ cắm đúng loại sẽ làm giảm nguy cơ bị điện giật.
- ▶ **Tránh không để thân thể tiếp xúc với đất hay các vật có bề mặt tiếp đất như đường ống, lò sưởi, hàng rào và tủ lạnh.** Có nhiều nguy cơ bị điện giật hơn nếu cơ thể bạn bị tiếp hay nối đất.
- ▶ **Không được để dụng cụ điện cầm tay ngoài mưa hay ở tình trạng ẩm ướt.** Nước vào máy sẽ làm tăng nguy cơ bị điện giật.
- ▶ **Không được lạm dụng dây dẫn điện. Không bao giờ được nắm dây dẫn để xách, kéo hay rút phích cắm dụng cụ điện cầm tay. Không để dây gần nơi có nhiệt độ cao, dầu nhớt, vật nhọn bén hay bộ phận chuyển động.** Làm hỏng hay cuộn rối dây dẫn làm tăng nguy cơ bị điện giật.
- ▶ **Khi sử dụng dụng cụ điện cầm tay ngoài trời, dùng dây nối thích hợp cho việc sử dụng ngoài trời.** Sử dụng dây nối thích hợp cho việc sử dụng ngoài trời làm giảm nguy cơ bị điện giật.
- ▶ **Nếu việc sử dụng dụng cụ điện cầm tay ở nơi ẩm ướt là không thể tránh được, dùng thiết bị ngắt mạch tự động (RCD) bảo vệ nguồn.** Sử dụng thiết bị ngắt mạch tự động RCD làm giảm nguy cơ bị điện giật.

An toàn cá nhân

- ▶ **Hãy tỉnh táo, biết rõ mình đang làm gì và hãy sử dụng ý thức khi vận hành dụng cụ điện cầm tay. Không sử dụng dụng cụ điện cầm tay khi đang mệt mỏi hay đang bị tác động do chất gây nghiện, rượu hay dược phẩm gây ra.** Một thoáng mất tập trung khi đang vận hành dụng cụ điện cầm tay có thể gây thương tích nghiêm trọng cho bản thân.
- ▶ **Sử dụng trang bị bảo hộ cá nhân. Luôn luôn đeo kính bảo vệ mắt.** Trang bị bảo hộ như khẩu trang, giày chống trượt, nón bảo hộ, hay dụng cụ bảo vệ tai khi được sử dụng đúng nơi đúng chỗ sẽ làm giảm nguy cơ thương tật cho bản thân.

26 | Tiếng Việt

- ▶ **Phòng tránh máy khởi động bất ngờ. Bảo đảm công tắc máy ở vị trí tắt trước khi cắm vào nguồn điện và/hay lắp pin vào, khi nhắc máy lên hay khi mang xách máy.** Ngáng ngón tay vào công tắc máy để xách hay kích hoạt dụng cụ điện cầm tay khi công tắc ở vị trí mở dễ dẫn đến tai nạn.
- ▶ **Lấy mọi chìa hay khóa điều chỉnh ra trước khi mở điện dụng cụ điện cầm tay.** Khóa hay chìa còn gắn dính vào bộ phận quay của dụng cụ điện cầm tay có thể gây thương tích cho bản thân.
- ▶ **Không rướn người. Luôn luôn giữ tư thế đứng thích hợp và thẳng bằng.** Điều này tạo cho việc điều khiển dụng cụ điện cầm tay tốt hơn trong mọi tình huống bất ngờ.
- ▶ **Trang phục thích hợp. Không mặc quần áo rộng lủng thụng hay mang trang sức. Giữ tóc, quần áo và găng tay xa khỏi các bộ phận chuyển động.** Quần áo rộng lủng thụng, đồ trang sức hay tóc dài có thể bị cuốn vào các bộ phận chuyển động.
- ▶ **Nếu có các thiết bị đi kèm để nối máy hút bụi và các phụ kiện khác, bảo đảm các thiết bị này được nối và sử dụng tốt.** Việc sử dụng các thiết bị gom hút bụi có thể làm giảm các độc hại liên quan đến bụi gây ra.

Sử dụng và bảo dưỡng dụng cụ điện cầm tay

- ▶ **Không được ép máy. Sử dụng dụng cụ điện cầm tay đúng loại theo đúng ứng dụng của bạn.** Dụng cụ điện cầm tay đúng chức năng sẽ làm việc tốt và an toàn hơn theo đúng tiến độ mà máy được thiết kế.
- ▶ **Không sử dụng dụng cụ điện cầm tay nếu như công tắc không tắt và mở được.** Bất kỳ dụng cụ điện cầm tay nào mà không thể điều khiển được bằng công tắc là nguy hiểm và phải được sửa chữa.
- ▶ **Rút phích cắm ra khỏi nguồn điện và/hay pin ra khỏi dụng cụ điện cầm tay trước khi tiến hành bất kỳ điều chỉnh nào, thay phụ kiện, hay cắt dụng cụ điện cầm tay.** Các biện pháp ngăn ngừa như vậy làm giảm nguy cơ dụng cụ điện cầm tay khởi động bất ngờ.
- ▶ **Cắt giữ dụng cụ điện cầm tay không dùng tới nơi trẻ em không lấy được và không cho người chưa từng biết dụng cụ điện cầm tay hay các hướng dẫn này sử dụng dụng cụ điện cầm tay.** Dụng cụ điện cầm tay nguy hiểm khi ở trong tay người chưa được chỉ cách sử dụng.
- ▶ **Bảo quản dụng cụ điện cầm tay. Kiểm tra xem các bộ phận chuyển động có bị sai lệch hay kẹt, các bộ phận bị rạn nứt và các tình trạng khác có thể ảnh hưởng đến sự vận hành của máy. Nếu bị hư hỏng, phải sửa chữa máy trước khi sử dụng.** Nhiều tai nạn xảy ra do bảo quản dụng cụ điện cầm tay tối.

- ▶ **Giữ các dụng cụ cắt bén và sạch.** Bảo quản đúng cách các dụng cụ cắt có cạnh cắt bén làm giảm khả năng bị kẹt và dễ điều khiển hơn.
- ▶ **Sử dụng dụng cụ điện cầm tay, phụ kiện, đầu cài v. v., đúng theo các chỉ dẫn này, hãy lưu ý đến điều kiện làm việc và công việc phải thực hiện.** Sử dụng dụng cụ điện cầm tay khác với mục đích thiết kế có thể tạo nên tình huống nguy hiểm.

Bảo dưỡng

- ▶ **Đưa dụng cụ điện cầm tay của bạn đến thợ chuyên môn để bảo dưỡng, chỉ sử dụng phụ tùng đúng chủng loại để thay.** Điều này sẽ đảm bảo sự an toàn của máy được giữ nguyên.

Lưu ý an toàn về cơ cấu vật liệu xốp

- ▶ **Nắm giữ dụng cụ điện nơi phần nắm cách điện khi thực hiện việc gia công nơi dụng cụ cắt có thể chạm vào dây điện không nhìn thấy được hay chính dây của máy.** Dụng cụ cắt chạm phải dây có điện có thể làm cho các bộ phận kim loại không được bao bọc có điện và giết người vận hành máy.
- ▶ **Đế tay tránh xa khỏi phạm vi cắt. Không được tiếp xúc với phần bên dưới vật gia công.** Tiếp xúc với lưỡi cưa có thể dẫn đến việc bị thương tích.

Mô Tả Sản Phẩm và Đặc Tính Kỹ Thuật

Đọc kỹ mọi cảnh báo an toàn và mọi hướng dẫn. Không tuân thủ mọi cảnh báo và hướng dẫn được liệt kê dưới đây có thể bị điện giật, gây cháy và/hay bị thương tật nghiêm trọng.

Dành sử dụng cho

Dụng cụ điện được thiết kế để cắt các chất dẻo bột, chất gốm bột và các vật liệu tương tự.

Biểu trưng của sản phẩm

Sự đánh số các biểu trưng của sản phẩm là để tham khảo hình minh họa của máy trên trang hình ảnh.

- 1 Công tắc Tắt/Mở
- 2 Bộ phận cố định chiều lưỡi cưa*
- 3 Lưỡi cưa đôi*
- 4 Đế đĩa
- 5 Tay nắm (bề mặt nắm cách điện)
- 6 Vít
- 7 Nắp chụp
- 8 Vít tán vặn khóa
- 9 Vít căng chân đế

*Phụ tùng được trình bày hay mô tả không phải là một phần của tiêu chuẩn hàng hóa được giao kèm theo sản phẩm. Bạn có thể tham khảo tổng thể các loại phụ tùng, phụ kiện trong chương trình phụ tùng của chúng tôi.

Thông số kỹ thuật

Máy cắt nút cao su		GSG 300
Mã số máy		0 601 575 1..
Công suất vào danh định	W	350
Công suất ra	W	185
Tốc độ khoảng chạy không tải n_0	spm	3500
Tốc độ khoảng chạy có tải	spm	2100
Công suất cắt, tối đa	mm	300
Trọng lượng theo Quy trình EPTA-Procedure 01:2014 (chuẩn EPTA 01:2014)	kg	1,6
Cấp độ bảo vệ		□/II

Các giá trị đã cho cho hiệu lực cho điện thế danh định [U] 230 V. Đối với điện thế thấp hơn và các loại máy đánh riêng cho một số quốc gia, các giá trị này có thể thay đổi.

Sự lắp vào

- ▶ Trước khi tiến hành bất cứ việc gì trên máy, kéo phích cắm điện nguồn ra.

Ráp Bộ phận Cố định Chiều Lưỡi Cưa (xem hình A)

Tháo các vít ra 6 khỏi thân máy. Lắp bộ phận cố định chiều lưỡi cưa 2 lên trên thân máy với cách thức sao cho các chốt gắn âm vào các lỗ tương ứng và bắt các vít vào để cho chắc chắn 6.

Lắp vào/Thay Thế Lưỡi Cưa (xem hình B)

- ▶ Khi lắp ráp lưỡi cưa, hãy mang găng tay bảo hộ vào. Nguy cơ gây thương tích khi chạm vào lưỡi cưa.

Nới lỏng và tháo các vít tán vặn khóa ra 8 cùng với vòng đệm lò xo và chụp dây 7.

- 1 Trước tiên, lắp lưỡi cưa đôi 3 vào phần chân của bộ phận cố định chiều lưỡi cưa 2, chú ý rằng các khe dọc của các lưỡi cưa ăn vào khớp chốt định vị của bộ phận cố định chiều lưỡi cưa.
- 2 Thứ hai, chỉnh đặt đầu của lưỡi cưa đôi 3 lên trên các chốt đội dẫn động, bảo đảm các lưỡi cưa nằm đúng vị trí bên trong bộ phận cố định chiều lưỡi cưa.

Lắp chụp dây vào 7 lên trên các vít cấy chìm trên thân máy và vặn chắc chúng lại bằng các vít tán vặn khóa 8. Bảo đảm là vòng đệm lò xo cũng đã được gắn vào.

Lắp Chân Đế (xem hình C)

Gắn bộ phận cố định chiều lưỡi cưa 2 vào trong các chốt tương ứng nằm trên chân đế 4. Siết chặt vít căng 9.

Hút Dăm/Bụi

- ▶ Mạt bụi từ các vật liệu được sơn phủ ngoài có chứa chì trên một số loại gỗ, khoáng vật và kim loại có thể gây nguy hại đến sức khỏe con người. Đụng chạm hay hít thở các bụi này có thể làm người sử dụng hay đứng gần bị dị ứng và/hoặc gây nhiễm trùng hệ hô hấp.

Một số mạt bụi cụ thể, ví dụ như bụi gỗ sồi hay dẫu, được xem là chất gây ung thư, đặc biệt là có liên quan đến các chất phụ gia dùng xử lý gỗ (chất cromat, chất bảo quản gỗ). Có thể chỉ nên để thợ chuyên môn gia công các loại vật liệu có chứa amiăng.

- Tạo không khí thông thoáng nơi làm việc.
- Khuyến nghị nên mang mặt nạ phòng độc có bộ lọc cấp P2.

Tuân thủ các quy định của quốc gia bạn liên quan đến loại vật liệu gia công.

Vận Hành

Bắt Đầu Vận Hành

- ▶ Tuân thủ theo đúng điện thế! Điện thế nguồn phải đúng với điện thế đã ghi rõ trên nhãn máy.

Bật Mở và Tắt

Để **bật** dụng cụ điện cầm tay, bạn hãy nhấn công tắc bật/tắt 1 và giữ nhấn công tắc này.

Để **khóa** công tắc nhấn Tắt/Mở 1, đẩy lùa công tắc Tắt/Mở 1 ra phía sau.

Để **tắt** dụng cụ điện, nhả công tắc Tắt/Mở 1, hay ngay khi đã bị khóa, nhấn nhanh công tắc Tắt/Mở 1 và sau đó nhả ra ngay.

Hướng Dẫn Sử Dụng

- ▶ Trước khi tiến hành bất cứ việc gì trên máy, kéo phích cắm điện nguồn ra.

Lưỡi Cưa và Bộ phận Cố định Chiều Lưỡi Cưa

Tùy theo độ dày của vật liệu phải gia công, có một số loại bộ phận cố định chiều lưỡi cưa và các loại lưỡi cưa tương ứng mà ta có thể sử dụng. Xem Phần Phụ kiện Tổng quát để biết thêm chi tiết.

Chân Đế

Máy cắt nút cao su có thể dùng cùng với chân đế hay không cần sử dụng. Chân đế được trang bị kèm theo trực lẫn, nhờ đó cho phép ta sử dụng và điều khiển máy cắt có dạng góc vuông được dễ dàng. Để cắt các dạng hình không tinh trước và để cắt lộng, xin đề nghị là không sử dụng chân đế để gia công.

28 | Français

Cắt Mút

Để có đường cắt chính xác, đặc biệt là với loại mút mềm hay các loại vật liệu tương tự, chỉ nên cho lưỡi cửa ăn vào vừa phải. Không được nén chặt vật liệu lại với nhau hoặc là vắt căng ra chặt quá trong khi gia công.

Tháo chân đế ra để luồn qua khoảng hở nhỏ hơn. Dùng dao hay kéo dùi lủng vật liệu, sau đó lắp bộ phận cố định chiều lưỡi cửa vào khoảng hở và thực hiện việc cắt lộng.

Để cắt luồn qua khoảng hở lớn hơn, chọn nguyên một khoảng hở đủ lớn để luồn bộ phận cố định chiều lưỡi cửa có cả chân đế đã gắn sẵn qua. Hãy chú ý là không có vật cản trở nào nằm bên dưới vật liệu. Đây dụng cụ điện với lực áp vừa phải dọc theo đường cắt lộng.

Bảo Dưỡng và Bảo Quản**Bảo Dưỡng Và Làm Sạch**

- ▶ **Trước khi tiến hành bất cứ việc gì trên máy, kéo phích cắm điện nguồn ra.**
- ▶ **Để được an toàn và máy hoạt động đúng chức năng, luôn luôn giữ máy và các khe thông gió được sạch.**

Định kỳ làm sạch bộ phận cố định chiều lưỡi cửa và lưỡi cửa là vào khoảng sau 8 tiếng đồng hồ hoạt động. Tháo lưỡi cửa ra theo định kỳ này và làm sạch, tốt nhất là dùng xăng để làm sạch lưỡi cửa. Nếu cần thiết, dùng dụng cụ cạo để làm sạch bộ phận cố định chiều lưỡi cửa. Thoa một lớp mỏng dầu nhờn lên trên bộ phận cố định chiều lưỡi cửa trước khi lắp lưỡi cửa mới vào hay lưỡi cửa đã được mài bén lại.

Nếu như cần phải thay dây dẫn điện thì công việc này phải do hãng Bosch, hay một đại lý được Bosch ủy nhiệm thực hiện để tránh gặp sự nguy hiểm do mất an toàn.

Dịch Vụ Sau Khi Bán và Dịch Vụ Ứng Dụng

Bộ phận phục vụ hàng sau khi bán của chúng tôi sẽ trả lời các câu hỏi liên quan đến việc bảo trì và sửa chữa các sản phẩm cũng như các phụ tùng thay thế của bạn. Hình ảnh chi tiết và thông tin phụ tùng thay thế có thể tìm hiểu theo địa chỉ dưới đây:

www.bosch-pt.com

Bộ phận dịch vụ ứng dụng Bosch sẽ hân hạnh trả lời các câu hỏi liên quan đến các sản phẩm của chúng tôi và linh kiện của chúng.

Trong tất cả các phản hồi và đơn đặt phụ tùng, xin vui lòng luôn luôn nhập số hàng hóa 10 chữ số theo nhãn của hàng hóa.

Việt Nam

Công ty Trách Nhiệm Hữu Hạn Robert Bosch Việt Nam, PT/SVN
Tầng 10, 194 Golden Building
473 Điện Biên Phủ
Phường 25, Quận Bình Thạnh
Thành Phố Hồ Chí Minh
Việt Nam
Tel.: (08) 6258 3690 Ext 413
Fax: (08) 6258 3692
hieu.lagia@vn.bosch.com
www.bosch-pt.com

Thải bỏ

Máy, linh kiện và bao bì phải được phân loại để tái chế theo hướng thân thiện với môi trường.

Không được thải bỏ dụng cụ điện vào chung với rác sinh hoạt!

Được quyền thay đổi nội dung mà không phải thông báo trước.

Français**Avertissements de sécurité****Avertissements de sécurité généraux pour l'outil**

⚠ AVERTISSEMENT Lire tous les avertissements de sécurité et toutes les instructions. Ne pas suivre les avertissements et instructions peut donner lieu à un choc électrique, un incendie et/ou une blessure sérieuse.

Conserver tous les avertissements et toutes les instructions pour pouvoir s'y reporter ultérieurement.

Le terme « outil » dans les avertissements fait référence à votre outil électrique alimenté par le secteur (avec cordon d'alimentation) ou votre outil fonctionnant sur batterie (sans cordon d'alimentation).

Sécurité de la zone de travail

- ▶ **Conserver la zone de travail propre et bien éclairée.** Les zones en désordre ou sombres sont propices aux accidents.
- ▶ **Ne pas faire fonctionner les outils électriques en atmosphère explosive, par exemple en présence de liquides inflammables, de gaz ou de poussières.** Les outils électriques produisent des étincelles qui peuvent enflammer les poussières ou les fumées.
- ▶ **Maintenir les enfants et les personnes présentes à l'écart pendant l'utilisation de l'outil.** Les distractions peuvent vous faire perdre le contrôle de l'outil.

Sécurité électrique

- ▶ **Il faut que les fiches de l'outil électrique soient adaptées au socle. Ne jamais modifier la fiche de quelque fa-**

çon que ce soit. **Ne pas utiliser d'adaptateurs avec des outils à branchement de terre.** Des fiches non modifiées et des socles adaptés réduiront le risque de choc électrique.

- ▶ **Éviter tout contact du corps avec des surfaces reliées à la terre telles que les tuyaux, les radiateurs, les cuisinières et les réfrigérateurs.** Il existe un risque accru de choc électrique si votre corps est relié à la terre.
- ▶ **Ne pas exposer les outils à la pluie ou à des conditions humides.** La pénétration d'eau à l'intérieur d'un outil augmentera le risque de choc électrique.
- ▶ **Ne pas maltraiter le cordon. Ne jamais utiliser le cordon pour porter, tirer ou débrancher l'outil. Maintenir le cordon à l'écart de la chaleur, du lubrifiant, des arêtes ou des parties en mouvement.** Les cordons endommagés ou emmêlés augmentent le risque de choc électrique.
- ▶ **Lorsqu'on utilise un outil à l'extérieur, utiliser un prolongateur adapté à l'utilisation extérieure.** L'utilisation d'un cordon adapté à l'utilisation extérieure réduit le risque de choc électrique.
- ▶ **Si l'usage d'un outil dans un emplacement humide est inévitable, utiliser une alimentation protégée par un dispositif à courant différentiel résiduel (RCD).** L'usage d'un RCD réduit le risque de choc électrique.

Sécurité des personnes

- ▶ **Rester vigilant, regarder ce que vous êtes en train de faire et faire preuve de bon sens dans l'utilisation de l'outil. Ne pas utiliser un outil lorsque vous êtes fatigué ou sous l'emprise de drogues, d'alcool ou de médicaments.** Un moment d'inattention en cours d'utilisation d'un outil peut entraîner des blessures graves des personnes.
- ▶ **Utiliser un équipement de sécurité. Toujours porter une protection pour les yeux.** Les équipements de sécurité tels que les masques contre les poussières, les chaussures de sécurité antidérapantes, les casques ou les protections acoustiques utilisés pour les conditions appropriées réduiront les blessures des personnes.
- ▶ **Éviter tout démarrage intempestif. S'assurer que l'interrupteur est en position arrêt avant de brancher l'outil au secteur et/ou au bloc de batteries, de le ramasser ou de le porter.** Porter les outils en ayant le doigt sur l'interrupteur ou brancher des outils dont l'interrupteur est en position marche est source d'accidents.
- ▶ **Retirer toute clé de réglage avant de mettre l'outil en marche.** Une clé laissée fixée sur une partie tournante de l'outil peut donner lieu à des blessures de personnes.
- ▶ **Ne pas se précipiter. Garder une position et un équilibre adaptés à tout moment.** Cela permet un meilleur contrôle de l'outil dans des situations inattendues.
- ▶ **S'habiller de manière adaptée. Ne pas porter de vêtements amples ou de bijoux. Garder les cheveux, les vêtements et les gants à distance des parties en mouvement.** Des vêtements amples, des bijoux ou les cheveux longs peuvent être pris dans des parties en mouvement.

- ▶ **Si des dispositifs sont fournis pour le raccordement d'équipements pour l'extraction et la récupération des poussières, s'assurer qu'ils sont connectés et correctement utilisés.** Utiliser des collecteurs de poussière peut réduire les risques dus aux poussières.

Utilisation et entretien de l'outil

- ▶ **Ne pas forcer l'outil. Utiliser l'outil adapté à votre application.** L'outil adapté réalisera mieux le travail et de manière plus sûre au régime pour lequel il a été construit.
- ▶ **Ne pas utiliser l'outil si l'interrupteur ne permet pas de passer de l'état de marche à arrêt et vice versa.** Tout outil qui ne peut pas être commandé par l'interrupteur est dangereux et il faut le faire réparer.
- ▶ **Débrancher la fiche de la source d'alimentation en courant et/ou le bloc de batteries de l'outil avant tout réglage, changement d'accessoires ou avant de ranger l'outil.** De telles mesures de sécurité préventives réduisent le risque de démarrage accidentel de l'outil.
- ▶ **Conserver les outils à l'arrêt hors de la portée des enfants et ne pas permettre à des personnes ne connaissant pas l'outil ou les présentes instructions de le faire fonctionner.** Les outils sont dangereux entre les mains d'utilisateurs novices.
- ▶ **Observer la maintenance de l'outil. Vérifier qu'il n'y a pas de mauvais alignement ou de blocage des parties mobiles, des pièces cassées ou toute autre condition pouvant affecter le fonctionnement de l'outil. En cas de dommages, faire réparer l'outil avant de l'utiliser.** De nombreux accidents sont dus à des outils mal entretenus.
- ▶ **Garder affûtés et propres les outils permettant de couper.** Des outils destinés à couper correctement entretenus avec des pièces coupantes tranchantes sont moins susceptibles de bloquer et sont plus faciles à contrôler.
- ▶ **Utiliser l'outil, les accessoires et les lames etc., conformément à ces instructions, en tenant compte des conditions de travail et du travail à réaliser.** L'utilisation de l'outil pour des opérations différentes de celles prévues pourrait donner lieu à des situations dangereuses.

Maintenance et entretien

- ▶ **Faire entretenir l'outil par un réparateur qualifié utilisant uniquement des pièces de rechange identiques.** Cela assurera que la sécurité de l'outil est maintenue.

Instructions de sécurité pour scies mousses

- ▶ **Tenir l'outil par les surfaces de préhension isolées, lors de la réalisation d'une opération au cours de laquelle l'organe de coupe peut entrer en contact avec un câblage non apparent ou son propre cordon d'alimentation.** Le contact avec un fil « sous tension » peut également mettre « sous tension » les parties métalliques exposées de l'outil électrique et provoquer un choc électrique sur l'opérateur.
- ▶ **Garder les mains à distance de la zone de sciage. Ne pas passer les mains sous la pièce à travailler.** Lors d'un contact avec la lame de scie, il y a risque de blessures.

Description et performances du produit



Il est impératif de lire toutes les consignes de sécurité et toutes les instructions. Le non-respect des avertissements et instructions indiqués ci-après peut conduire à une électrocution, un incendie et/ou de graves blessures.

Utilisation conforme

L'outil électroportatif est conçu pour découper toutes sortes de formes dans les produits alvéolaires, le caoutchouc mousse et les matériaux similaires.

Éléments de l'appareil

La numérotation des éléments de l'appareil se réfère à la représentation de l'outil électroportatif sur la page graphique.

- 1 Interrupteur Marche/Arrêt
- 2 Guidage de lame de scie*
- 3 Paire de lames de scie*
- 4 Plaque de base
- 5 Poignée (surface de préhension isolante)
- 6 Vis
- 7 Plaque de protection
- 8 Vis moletée
- 9 Vis de serrage pour plaque de base

*Les accessoires décrits ou illustrés ne sont pas tous compris dans la fourniture. Vous trouverez les accessoires complets dans notre programme d'accessoires.

Caractéristiques techniques

Scie pour produits alvéolaires		GSG 300
N° d'article		0 601 575 1..
Puissance nominale absorbée	W	350
Puissance utile débitée	W	185
Nombre de courses à vide n_0	tr/min	3500
Nombre de courses sous charge	tr/min	2100
Profondeur de coupe max.	mm	300
Poids suivant EPTA-Procédure 01:2014	kg	1,6
Classe de protection		□/II

Ces indications sont valables pour une tension nominale de [U] 230 V. Ces indications peuvent varier pour des tensions plus basses ainsi que pour des versions spécifiques à certains pays.

Montage

► Avant d'effectuer des travaux sur l'outil électroportatif, retirez la fiche de la prise de courant.

Montage du guidage de lame de scie (voir figure A)

Desserrer les vis 6 du boîtier et les enlever. Placer le guidage de lame de scie 2 sur le boîtier de sorte que les tiges prennent dans les alésages correspondants. Visser le guidage de lame de scie 2 avec les vis 6 sur le boîtier.

Montage/changement des lames de scie (voir figure B)

► Portez toujours des gants de protection pour monter les lames de scie. Lors d'un contact avec les lames de scie, il y a un risque de blessures.

Desserrer les vis moletées 8 et les enlever avec les anneaux élastiques et la plaque de protection 7.

- 1 D'abord placer la paire de lames de scie 3 dans le guidage de lame de scie 2. Veiller à ce que les fentes longitudinales des lames de scie prennent dans la tige de guidage du guidage de lame de scie.
- 2 Ensuite accrocher la paire de lames de scie 3 dans l'ergot entraîneur de sorte que les lames de scie reposent correctement dans le guidage.

Monter la plaque de protection 7 sur les tiges filetées se trouvant sur le boîtier et les attacher à l'aide des vis moletées 8. S'assurer que les anneaux élastiques sont mis en place.

Montage de la plaque de base (voir figure C)

Monter le guidage de lames de scie 2 dans l'encoche correspondante de la plaque de base 4. Bien serrer la vis de serrage 9.

Aspiration de poussières/de copeaux

► Les poussières de matériaux tels que peintures contenant du plomb, certains bois, minéraux ou métaux, peuvent être nuisibles à la santé. Entrer en contact ou aspirer les poussières peut entraîner des réactions allergiques et/ou des maladies respiratoires auprès de l'utilisateur ou de personnes se trouvant à proximité.

Certaines poussières telles que les poussières de chêne ou de hêtre sont considérées comme cancérogènes, surtout en association avec des additifs pour le traitement du bois (chromate, lazure). Les matériaux contenant de l'amiante ne doivent être travaillés que par des personnes qualifiées.

- Veillez à bien aérer la zone de travail.
- Il est recommandé de porter un masque respiratoire avec un niveau de filtration de classe P2.

Respectez les règlements spécifiques aux matériaux à traiter en vigueur dans votre pays.

Mise en marche

Mise en service

► Tenez compte de la tension du réseau ! La tension de la source de courant doit correspondre aux indications se trouvant sur la plaque signalétique de l'outil électroportatif. Les outils électroportatifs marqués 230 V peuvent également fonctionner sur 220 V.

Mise en Marche/Arrêt

Pour **mettre en marche** l'outil électroportatif, appuyez sur l'interrupteur Marche/Arrêt 1 et maintenez-le enfoncé.

Pour **bloquer** l'interrupteur Marche/Arrêt appuyé 1, pousser l'interrupteur Marche/Arrêt 1 vers l'arrière.

Pour **arrêter** l'outil électroportatif, relâchez l'interrupteur Marche/Arrêt 1 ou, s'il est bloqué, appuyez brièvement sur l'interrupteur Marche/Arrêt 1, puis relâchez-le.

Instructions d'utilisation

- ▶ **Avant d'effectuer des travaux sur l'outil électroportatif, retirez la fiche de la prise de courant.**

Lames de scie et guidages

En fonction de l'épaisseur du matériau à travailler, il est possible d'utiliser différents guidages et lames de scie correspondantes, voir liste des accessoires.

Plaque de guidage avec rouleaux glisseurs

La scie pour produits alvéolaires peut être utilisée avec ou sans plaque de base. La plaque de base équipée de rouleaux glisseurs permet un guidage facile et perpendiculaire de la scie.

Pour tailler toute sorte de formes et pour effectuer des découpes, il est recommandé de travailler sans plaque de base.

Travailler les produits alvéolaires

Pour effectuer des découpes précises, surtout pour les produits alvéolaires souples et d'autres matériaux similaires, appliquer une vitesse d'avance modérée. Ne pas trop tirer ou presser le matériau lors de l'opération de travail.

Pour effectuer des petites découpes, démonter la plaque de base. À l'aide d'un couteau ou d'une paire de ciseaux, percer un trou dans le matériau et ensuite introduire le guidage de lame de scie dans l'ouverture et travailler la découpe.

Pour effectuer de grandes découpes, percer un trou assez grand pour pouvoir introduire le guidage de lame de scie avec plaque de base montée. Veiller à ce que la base de travail soit dégagée. Guider l'outil électroportatif le long du trou en appliquant une vitesse d'avance modérée.

Entretien et Service Après-Vente

Nettoyage et entretien

- ▶ **Avant d'effectuer des travaux sur l'outil électroportatif, retirez la fiche de la prise de courant.**
- ▶ **Veillez à ce que l'outil électroportatif ainsi que les ouïes de ventilation soient toujours propres afin d'obtenir un travail impeccable et sûr.**

Régulièrement nettoyer le guidage de lames de scie et les lames de scie, environ toutes les 8 heures de fonctionnement. Pour ce faire, sortir les lames de scie de l'outil électroportatif et nettoyer les lames de scie, préférablement avec de l'essence. Si nécessaire, utiliser un grattoir pour nettoyer le guidage de lame de scie. Avant de monter des lames de scie neuves ou affûtées, légèrement graisser le guidage de lame de scie.

Si le remplacement du câble d'alimentation est nécessaire, ceci ne doit être effectué que par Bosch ou une station de Service Après-Vente agréée pour outillage Bosch afin d'éviter des dangers de sécurité.

Service Après-Vente et Assistance

Notre Service Après-Vente répond à vos questions concernant la réparation et l'entretien de votre produit et les pièces de rechange. Vous trouverez des vues éclatées ainsi que des informations concernant les pièces de rechange également sous :

www.bosch-pt.com

Les conseillers techniques et assistants Bosch sont à votre disposition pour répondre à vos questions concernant nos produits et leurs accessoires.

Pour toute demande de renseignement ou commande de pièces de rechange, précisez-nous impérativement le numéro d'article à dix chiffres indiqué sur la plaque signalétique du produit.

Pour avoir des renseignements concernant la garantie, les travaux d'entretien ou de réparation ou les pièces de rechange, veuillez contacter votre détaillant spécialisé.

Morocco

Outipro

53, rue du Lieutenant Mahroud Mohamed
20300 Casablanca

Tel. : +212 (0) 522 400 409, +212 (0) 522 400 615

E-Mail: service@outipro.ma

Algeria

Siestal

Zone Industrielle Ihaddaden 06000 Bejaia

Tel. : +213 (0) 982 400 991/2

Fax : +213 (0) 3 420 1569

E-Mail: sav@siestal-dz.com

Tunisia

Sotel

Z.I. St. Gobin Lotissement SMMT-Lot No 25-99

2014-Megrine Riadh

Tél. : +216 71 427 496

Fax : +216 71 354 175

E-Mail: sotel2@planet.tn

Élimination des déchets

Les outils électroportatifs, ainsi que leurs accessoires et emballages, doivent pouvoir suivre chacun une voie de recyclage appropriée.

Ne jetez pas les outils électroportatifs avec les ordures ménagères !

Sous réserve de modifications.



الجزائر

سيستال
المنطقة الصناعية احدادن
بجاية 06000 - الجزائر
الهاتف: +213 (0) 982 400 992
الفاكس: +213 (0) 34201569
البريد الالكتروني: sav@siestal-dz.com

تونس

صوتال
م.ص. المجمع سان كوبان رقم 99 - 25
2014. مكرين رياض تونس
الهاتف: +216 71 428 770
الفاكس: +216 71 354 175
البريد الالكتروني: sotel2@planet.tn

مصر

يونيمار
رقم 20 مركز الخدمات
التجمع الاول - القاهرة الجديدة - مصر
الهاتف: +2 02 224 78072-73 / +2 02 224 76091-95
الفاكس: +2 022 2478075
البريد الالكتروني: boshegypt@unimaregypt.com

التخلص من العدة الكهربائية

ينبغي التخلص من العدد الكهربائية والتوابع والغلاف
بطريقة منصفة للبيئة عن طريق النفايات القابلة لإعادة
التصنيع.
لا ترم العدد الكهربائية في النفايات المنزلية!

نمتفظ بحق إدختعديلات.

معالجة المادة الرغوية

اشتغل فقط بدفع أمامي معتدل من أجل تشكيل مقاطع الأفعال الدقيقة ولا سيما في المواد الرغوية الطرية والمواد المشابهة. لا تزيد من مدّ المواد أو من الضغط عليها أثناء معالجتها.

فك صفيحة القاعدة عند إجراء المقاطع الصغيرة. اغرز سكين أو مقص في المادة ثم اغرز دليل مسار نصل المنشار في هذه الفتحة وتابع بمعالجة المقطع.

عند تفصيل المقاطع الكبيرة ينبغي تشكيل فتحة التنقيب بحيث تسمح بإدخال دليل مسار نصل المنشار كاملاً مع صفيحة القاعدة المركبة. انتبه إلى عدم وجود أي عائق من الأسفل. سير الجهاز بضغط خفيف على طوال خط القطع.

الصيانة والخدمة

الصيانة والتنظيف

◀ اسحب القابس من مقبس الشبكة الكهربائية قبل إجراء أي عمل على العدة الكهربائية.

◀ حافظ دائماً على نظافة العدة الكهربائية وشقوق التهوية للعمل بشكل جيد وأمن.

نظف دليل مسار نصل المنشار ونصال المنشار بشكل منتظم بعد كل 8 ساعات تشغيل تقريباً. لتنفيذ ذلك، تفك نصال المنشار من العدة الكهربائية ويستحسن تنظيف نصال المنشار بواسطة البنزين. استخدم مكشطة لتنظيف دليل مسار نصل المنشار عند الضرورة. زوّت دليل مسار نصل المنشار بعض الشيء قبل تركيب نصال المنشار الجديدة أو المعاد شحها.

إن تطلب الأمر استبدال خط الامداد، فينبغي أن يتم ذلك من قبل شركة بوش أو من قبل مركز خدمة زبائن وكالة بوش للعدد الكهربائية، لتجنب التعرض للمخاطر.

خدمة الزبائن ومشورة الاستخدام

يجب مركز خدمة الزبائن على أسئلتكم بصدد تصليح وصيانة المنتج وأيضاً بما يخص قطع الغيار. يعثر على الرسوم الممددة وعلى المعلومات عن قطع الغيار بموقع:

www.bosch-pt.com

سيكون من دواعي سرور فرقة مشورة الاستخدام بشركة بوش أن تساعدكم بخصوص الأسئلة عن منتجاتنا وتوابعها.

يلزم ذكر رقم الصنف ذو الخانات العشر وفقاً للوحة صنع المنتج عند إرسال أية استفسارات أو طلبيات قطع غيار.

يرجى التوجه إلى التاجر المختص بما يتعلّق بأمر الضمان والتصليح وتأمين قطع الغيار.

المغرب

أوتبرو

53، زنقة الملازم محمد محروض

الدار البيضاء- 20300 - المغرب

الهاتف: +212 (0) 522 400 615 / +212 (0) 522 400 409

البريد الإلكتروني: service@outipro.ma

شفت الغبار/النشارة

◀ إن أغبرة بعض المواد كالطلاء الذي يحتوي على الرصاص، وبعض أنواع الخشب والفلزات والمعادن، قد تكون مضرّة بالصحة. إن ملامسة أو استنشاق الأغبرة قد يؤدي إلى ردود فعل زائدة الحساسية و/أو إلى أمراض المجاري التنفسية لدى المستخدم أو لدى الأشخاص المتواجدين على مقربة من المكان.

تعتبر بعض الأغبرة المعينة، كأغبرة البلوط والزان بأنها مسببة للسرطان، ولا سيما بالاتصال مع المواد الإضافية لمعالجة الخشب (ملع حامض الكروميك، المواد الحافظة للخشب). يجوز أن يتم معالجة المواد التي تحتوي على الأسبستوس من قبل العمال المتخصصين فقط دون غيرهم.

- حافظ على تهوية مكان الشغل بشكل جيد.

- ينصح بارتداء قناع وقاية للتنفس بفئة المرشح P2.

تراعى الأحكام السارية في بلدكم بالنسبة للمواد المرغوب معالجتها.

التشغيل

بدء التشغيل

◀ انتبه إلى جهد الشبكة الكهربائية! يجب أن يتطابق جهد منبع التيار مع المعلومات المذكورة على لائحة طراز الجهاز. يمكن أن يتم تشغيل العدد الكهربائية المحددة بـ 230 فولط بـ 220 فولط أيضاً.

التشغيل والإطفاء

لغرض تشغيل العدة الكهربائية اضغط على مفتاح التشغيل/الإطفاء 1 واحتفظ به مضغوطاً.

لأجل تثبيت مفتاح التشغيل والإطفاء 1 وهو بحالة الانضغاط، يدفع مفتاح التشغيل والإطفاء 1 إلى الخلف.

لإطفاء العدة الكهربائية يترك مفتاح التشغيل والإطفاء 1 أو إن كان في وضع التثبيت، فيضغط مفتاح التشغيل والإطفاء 1 للحظة ثم يترك بعد ذلك.

ملاحظات شغل

◀ اسحب القابس من مقبس الشبكة الكهربائية قبل إجراء أي عمل على العدة الكهربائية.

نصال المنشار وأدلة مسار نصال المنشار

يمكن تركيب أدلة نصال المنشار المختلفة ونصال المنشار التابعة لها حسب ثخن المواد المرغوب معالجتها، تراجم قائمة التوابع بصدد ذلك.

صفيحة القاعدة مع عجلات إزلاق

يمكن استخدام منشار المواد الرغوية مع صفيحة القاعدة أو من دونها. تسمح صفيحة القاعدة المجهزة بعجلات إزلاق بتسيير الجهاز بسهولة وبشكل قائم الزاوية.

يفضل تنفيذ الشغل دون صفيحة القاعدة من أجل قطع الأشكال المختلفة ولتفصيل المقاطع.

**البيانات الفنية**

GSG 300		منشأ المواد الرغوية
0 601 575 1..		رقم الصنف
350	واط	القدرة الاسمية المقنية
185	واط	القدرة المعطاة
3500	دقيقة ¹	عدد الأشواط اللامحلي n ₀
2 100	دقيقة ¹	عدد الأشواط على حمل
300	مم	عمق القطع الأقصى
1,6	كغ	الوزن حسب EPTA-Procedure 01:2014
□/II		فئة الوقاية

القيم سارية المفعول لجهد اسمي [U] بمقدار 230 فولط. قد تتفاوت هذه القيم عندما يختلف الجهد عن ذلك أو بترازات خاصة ببلدان معينة.

التركيب

◀ اسحب القابس من مقبس الشبكة الكهربائية قبل إجراء أي عمل على العدة الكهربائية.

تركيب دليل مسار نصل المنشأ (تراجع الصورة A)

حل اللوالب 6 عن الهيكل وانزعها عنه. ركز دليل مسار نصل المنشأ 2 على الهيكل بحيث تدخل مسامير الحزن في التجاويف الفاصلة بها. أحكم تثبيت دليل مسار نصل المنشأ 2 بواسطة اللوالب 6 على الهيكل.

تركيب/استبدال نصال المنشأ (تراجع الصورة B)

◀ ارتد قفازات واقية عند تركيب أنصال المنشأ. يؤدي ملامسة أنصال المنشأ إلى تشكل خطر الإصابة بجروح. حل اللوالب المحززة 8 وانزعها مع الحلقة النابضية وصفحة التغطية 7.

① ركب زوج نصال المنشأ 3 في البداية بالأسفل في دليل مسار نصل المنشأ 2. انتبه إلى تداخل الشقوق الطولية على نصال المنشأ في المسمار الدليلي على دليل مسار نصل المنشأ.

② ثم علق زوج نصال المنشأ 3 في نقرة التحريك بحيث تثبت نصال المنشأ في دليل الحزن بشكل سليم.

ركب صفحة التغطية 7 على المسامير الملولبة على الهيكل وتثبيتها بواسطة اللوالب المحززة 8. تأكد من وضع الحلقات النابضية تحتها.

تركيب صفحة القاعدة (تراجع الصورة C)

ركب دليل مسار نصل المنشأ 2 في التجويف المخصص له بصفحة القاعدة 4. أحكم شد لولب الشد 9.

◀ حافظ على إبقاء عدد القطع نظيفة وحادة. إن عدد القطع ذات حواف القطع الحادة التي تم صيانتها بعناية تتكلم بشكل أقل ويمكن توجيهها بشكل أسير.

◀ استخدم العدد الكهربائية والتوابع وعدد الشغل وإلخ. حسب هذه التعليمات. تراعى أثناء ذلك شروط الشغل والعمل المراد تنفيذه. استخدم العدد الكهربائية لغير الأشغال المخصصة لأجلها قد يؤدي إلى حدوث المالات الخطيرة.

الخدمة

◀ اسمع بتصليح عدتك الكهربائية فقط من قبل العمال المتخصصين و فقط باستعمال قطع الغيار الأصلية. يؤمن ذلك المحافظة على أمان الجهاز.

تعليمات الأمان لمنشأ المواد الرغوية

◀ أمسك بالعدة الكهربائية من سطوح القبض المعزولة عند إجراء الأعمال التي من الجائز أن تصيب بها ملحقات القطع الخسوط الكهربائية المخفية أو الكابل الكهربائي الخاص بالعدة الكهربائية. حيث إن ملامسة لتلحقات القطع لسلك يسري فيه التيار الكهربائي من شأنه أن ينقل الجهد الكهربائي للأجزاء المعدنية المكشوفة بالعدة الكهربائية ويؤدي لحدوث صدمة كهربائية للمشغل.

◀ أبعد يديك عن مجال النشر. لا تقبض بيدك إلى ما تحت قطعة الشغل. إن ملامسة نصل المنشأ يؤدي إلى تشكل مخاطر الإصابة بجروح.

وصف المنتج والأداء

اقرأ جميع الملاحظات التحذيرية والتعليمات. إن ارتكاب الأخطاء عند تطبيق الملاحظات التحذيرية والتعليمات قد يؤدي إلى الصدمات الكهربائية، إلى نشوب الحرائق و/أو الإصابة بجروح خطيرة.

**الاستعمال المخصص**

لقد خصصت العدة الكهربائية لقص المقاطع المختلفة بالمواد الرغوية اللدنة والمطاط الرغوي و مواد الشغل المشابهة.

الأجزاء المصورة

يستند ترقيم الأجزاء المصورة إلى رسوم العدة الكهربائية الموجودة في صفحة الرسوم التخطيطية.

- 1 مفتاح التشغيل والإطفاء
- 2 دليل مسار نصل المنشأ *
- 3 زوج نصال منشأ *
- 4 صفحة القاعدة
- 5 مقبض يدوي (سطح القبض معزول)
- 6 لولب
- 7 صفحة تغطية
- 8 لولب محزز
- 9 لولب شد لصفحة القاعدة

* لا يتضمن إطار التوريد الاعتيادي التوابع المصورة أو الموصوفة. يعثر على التوابع الكاملة في برنامجنا للتوابع.

عربي

تعليمات الأمان

ملاحظات تحذيرية عامة للعدد الكهربائية

⚠ تحذير اقرأ جميع الملاحظات التحذيرية والتعليمات. إن ارتكاب الأخطاء عند تطبيق الملاحظات التحذيرية والتعليمات قد يؤدي إلى الصدمات الكهربائية، إلى نشوب الحرائق و/أو الإصابة بجروح خطيرة.

احتفظ بجميع الملاحظات التحذيرية والتعليمات للمستقبل.

يقصد بمصطلح "العدد الكهربائية" المستخدم في الملاحظات التحذيرية، العدد الكهربائية الموصولة بالشبكة الكهربائية (بواسطة كابل الشبكة الكهربائية) وأيضاً العدد الكهربائية المزودة بمركم (دون كابل الشبكة الكهربائية).

الأمان بمكان الشغل

حافظ على نظافة وحسن إضاءة مكان شغلك. الفوضى في مكان الشغل ومجالات العمل الغير مضاءة قد تؤدي إلى حدوث الحوادث.

لا تستغل بالعدد الكهربائية في محيط معرض لخطر الانفجار والذي تتوفر فيه السوائل أو الغازات أو الأغبرة القابلة للاشتعال. العدد الكهربائية تشكل الشر الذي قد يتطاير، فيشعل الأغبرة والأبغرة.

حافظ على بقاء الأطفال وغيرهم من الأشخاص على بعد عندما تستعمل العدد الكهربائية. قد تفقد السيطرة على الجهاز عند التلهي.

الأمان الكهربائي

يجب أن يتلائم قابس وصل العدد الكهربائية مع المقبس. لا يجوز تغيير القابس بأي حال من الأحوال. لا تستعمل القوايس المهيأة مع العدد الكهربائية المؤرصة تأريض وقتاني. تخفض القوايس التي لم يتم تغييرها والمقابس الملائمة من خطر الصدمات الكهربائية.

تجنب ملامسة السطوح المؤرصة كالأنابيب ورادياتورات التدفئة والمدافئ أو البرادات بواسطة جسمك. يزداد خطر الصدمات الكهربائية عندما يكون جسمك مؤرض.

أبعد العدد الكهربائية عن الأمطار أو الرطوبة. يزداد خطر الصدمات الكهربائية إن تسرب الماء إلى داخل العدد الكهربائية.

لا تسيء استعمال الكابل لحمل العدد الكهربائية أو لتعليقها أو لسحب القابس من المقبس. حافظ على إبعاد الكابل عن الحرارة والزيت والحواف الحادة أو عن أجزاء الجهاز المتحركة. تزيد الكابلات التالفة أو المتشابكة من خطر الصدمات الكهربائية.

استخدم فقط كابلات التمديد الصالحة للاستعمال الخارجي أيضاً عندما تشتغل بالعدد الكهربائية في الغلاء. يخفض استعمال كابل تمديد مخصص للاستعمال الخارجي من خطر الصدمات الكهربائية.

إن لم يكن بالإمكان تجنب تشغيل العدد الكهربائية في الأجواء الرطبة، فاستخدم مفتاح للوقاية من التيار المتخلف. إن استخدام مفتاح للوقاية من التيار المتخلف يقلل خطر الصدمات الكهربائية.

أمان الأشخاص

كن يقظاً وانتبه إلى ما تفعله و قم بالعمل بواسطة العدد الكهربائية بتعقل. لا تستخدم عدة كهربائية عندما تكون متعب أو عندما تكون تمت تأثير المخدرات أو الكحول أو الأدوية. عدم الانتباه للحظة واحدة عند استخدام العدد الكهربائية قد يؤدي إلى إصابات خطيرة.

ارتد عتاد الوقاية الخاص وارتد دائماً نظارات واقية. يحد ارتداء عتاد الوقاية الخاص، كقناع الوقاية من الغبار وأذنية الأمان الواقية من الانزلاق والخوذ أو واقية الأذنين، حسب نوع واستعمال العدد الكهربائية، من خطر الإصابة بجروح.

تجنب التشغيل بشكل غير مقصود. تأكد من كون العدد الكهربائية مطفأة قبل وصلها بإمداد التيار الكهربائي و/أو بالمركم، وقبل رفعها أو حملها. إن كنت تضع إصبعك على المفتاح أثناء حمل العدة الكهربائية أو إن وصلت الجهاز بالشبكة الكهربائية عندما يكون قيد التشغيل، فقد يؤدي ذلك إلى حدوث الحوادث.

انزع عدد الضبط أو مفتاح الربط قبل تشغيل العدد الكهربائية. قد تؤدي العدة أو المفتاح المتواجد في جزء دوار من الجهاز إلى الإصابة بجروح.

تجنب أوضاع الجسد الغير طبيعية. قف بأمان وحافظ على توازنك دائماً. سيسم لك ذلك من السيطرة على الجهاز بشكل أفضل في المواقف الغير متوقعة.

ارتد ثياب مناسبة. لا ترتد الثياب الضمضاة أو الملئ. حافظ على إبقاء الشعر والثياب والقفازات على بعد عن أجزاء الجهاز المتحركة. قد تشابك الثياب الضمضاة والملئ والشعر الطويل بالأجزاء المتحركة.

إن جاز تركيب تجهيزات شطف وتجميع الغبار، فتأكد من أنها موصولة وبأنه يتم استخدامها بشكل سليم. قد يقلل استخدام تجهيزات لشطف الأغبرة من المخاطر الناتجة عن الأغبرة.

حسن معاملة واستخدام العدد الكهربائية

لا تفرط بتحميل الجهاز. استخدم لتنفيذ أشغالك العدد الكهربائية المخصصة لذلك. إنك تعمل بشكل أفضل وأكثر أماناً بواسطة العدد الكهربائية الملائمة في مجال الأداء المذكور.

لا تستخدم العدد الكهربائية إن كان مفتاح تشغيلها تالف. العدد الكهربائية التي لم تعد تسمح بتشغيلها أو بإطافئها خطيرة ويجب أن يتم تصليحها.

اسحب القابس من المقبس و/أو انزع المركم قبل ضبط الجهاز وقبل استبدال قطع التوابع أو قبل وضع الجهاز جانباً. تمنع إجراءات الاحتياط هذه تشغيل العدد الكهربائية بشكل غير مقصود.

احتفظ بالعدد الكهربائية التي لا يتم استخدامها بعيداً عن منال الأطفال. لا تسمح باستخدام العدد الكهربائية لمن لا خبرة له بها أو لمن لم يقرأ تلك التعليمات. العدد الكهربائية خطيرة إن تم استخدامها من قبل أشخاص دون خبرة.

اعتن بالعدد الكهربائية بشكل جيد. تفحص عما إذا كانت أجزاء الجهاز المتحركة تعمل بشكل سليم وبأنها غير مستعصبة عن الحركة أو إن كانت هناك أجزاء مكسورة أو تالفة لدرجة تؤثر فيها على حسن أداء العدد الكهربائية. ينبغي تصليح هذه الأجزاء التالفة قبل إعادة تشغيل الجهاز. الكثير من الحوادث مصدرها العدد الكهربائية التي تم صيانتها بشكل رديء.

مراقبت و سرویس

مراقبت، تعمیر و تمیز کردن دستگاه

- ◀ پیش از انجام هرگونه کاری بر روی ابزار الکتریکی، دوشاخه اتصال آنرا از داخل پریز برق بیرون بکشید.
- ◀ ابزار الکتریکی و شیارهای تهویه آنرا تمیز نگاه دارید، تا ایمنی شما در کار تضمین گردد.

راهنمای تیغه اره و تیغه های اره را پس از تقریباً هر 8 ساعت کار با دستگاه تمیز کنید. برای این کار تیغه های اره را از دستگاه جدا کرده و تیغه های اره را ترجیحاً با بنزین تمیز کنید. برای تمیز کردن شیارهای راهنمای تیغه اره در صورت لزوم از یک کاردک استفاده کنید. قبل از گذاشتن تیغه های نو و یا تیزشده راهنمای تیغه اره را کمی چرب کنید.

در صورت نیاز به یک کابل یدکی برای اتصال به شبکه برق، بایستی به شرکت بوش و یا به نمایندگی مجاز بوش (خدمات پس از فروش) برای ابزار آلات برقی بوش مراجعه کنید تا از بروز خطرات ایمنی جلوگیری بعمل آید.

خدمات پس از فروش و مشاوره با

مشتریان

دفتر خدمات پس از فروش به سئوالات شما در باره تعمیرات، سرویس و همچنین قطعات یدکی و متعلقات پاسخ خواهد داد. تصاویر و اطلاعات در باره قطعات یدکی و متعلقات را میتوانید در سایت نامبرده زیر جستجو نمایید:

www.bosch-pt.com

تیم مشاور خدمات پس از فروش شرکت بوش با کمال میل به سئوالات شما در باره خرید، طرز استفاده و تنظیم محصولات و متعلقات پاسخ میدهد.

برای هرگونه سؤال و یا سفارش ابزار یدکی و متعلقات، حتماً شماره فنی ده رقمی کالا را مطابق برچسب روی ابزار برقی اطلاع دهید.

برای استفاده از گارانتی، تعمیر دستگاه و تهیه ابزار یدکی فقط به افراد متخصص مراجعه کنید.

از رده خارج کردن دستگاه

ابزار برقی، متعلقات و بسته بندی آن، باید طبق مقررات حفظ محیط زیست از رده خارج و بازیافت شوند.

ابزارهای برقی را داخل زباله دان خانگی نیاندازید!

حق هرگونه تخییری محفوظ است.

طرز کار با دستگاه

راه اندازی و نحوه کاربرد دستگاه

◀ به ولتاژ برق شبکه توجه کنید! ولتاژ منبع جریان برق باید با مقادیر موجود بر روی برچسب ابزار الکتریکی مطابقت داشته باشد. ابزارهای برقی را که با ولتاژ 230 V ولت مشخص شده اند، می توان تحت ولتاژ 220 V ولت نیز بکار برد.

نحوه روشن و خاموش کردن

جهت روشن کردن ابزار برقی کلید قطع/وصل 1 را فشار دهید و آنرا نگهدارید.

برای قفل و تثبیت کلید قطع و وصل 1 در حالی که به داخل فشار داده شده است، باید کلید قطع و وصل 1 را بطرف عقب بکشید.

برای خاموش کردن ابزار برقی، کلید قطع و وصل 1 را رها کنید. در صورت قفل بودن آن، کلید قطع و وصل 1 را کوتاه فشار داده و آنرا مجدداً رها کنید.

راهنمایی های عملی

◀ پیش از انجام هرگونه کاری بر روی ابزار الکتریکی، دوشاخه اتصال آنرا از داخل پریز برق بیرون بکشید.

تیغه های اره و هدایت کننده تیغه

متناسب با ضخامت قطعه کار میتوانید از هدایت کننده های مختلف تیغه اره و همچنین تیغه های مناسب با آن استفاده کنید. در این مورد به لیست متعلقات توجه کنید.

صفحه پایه با غلطک اصطکاک

شما میتوانید دستگاه اسفنج بر را همراه با صفحه پایه و یا بدون آن مورد استفاده قرار دهید. بوسیله صفحه پایه به همراه غلطک های اصطکاک میتوان تیغه اره را براحتی بطور عمودی بر روی قطعه کار هدایت کرد. برای برش اشکال دلخواه و همچنین برش قسمت هایی از داخل قطعه بهتر است بدون صفحه پایه کار کنید.

کار کردن روی مواد اسفنجی

برای ایجاد برش های دقیق مخصوصاً در مواد پلاستیکی اسفنجی نرم و امثالهم، باید دستگاه را با فشار کم به جلو ببرید. قطعه کار را هنگام کار بیش از حد تحت فشار و کشش قرار ندهید.

برای ایجاد برش های داخلی کوچک بهتر است صفحه پایه را از دستگاه جدا کنید. اول بوسیله یک چاقو و یا قیچی سوراخی در قطعه کار ایجاد کرده و سپس راهنمای تیغه اره را در این سوراخ وارد کرده و روی برش داخلی کار کنید.

برای ایجاد برش های داخلی بزرگتر باید سوراخ اولیه آنقدر فراخ باشد که بتوانید راهنمای تیغه اره را همراه با صفحه پایه از آن عبور دهید. توجه داشته باشید که زیر قطعه مانعی وجود نداشته باشد. ابزار برقی را با فشار کم در مسیر خط برش حرکت دهید.

نصب

◀ پیش از انجام هرگونه کاری بر روی ابزار الکتریکی، دوشاخه اتصال آنرا از داخل پریز برق بیرون بکشید.

نحوه مونتاژ راهنمای تیغه اره

(رجوع شود به تصویر A)

پیچهای 6 را باز کنید و آنها را از بدنه دستگاه بیرون بیاورید. راهنمای 2 تیغه اره را طوری در بدنه دستگاه قرار دهید که سوزنهای آداپتور بخوبی در داخل سوراخهای مربوطه جای بگیرند. راهنمای 2 تیغه اره را بوسیله پیچهای 6 به بدنه دستگاه محکم کنید.

نصب و تعویض تیغه های اره

(رجوع شود به تصویر B)

◀ به هنگام مونتاژ تیغه های اره از دستکش ایمنی استفاده کنید. هنگام تماس با تیغه های اره خطر جراحت وجود دارد.

پیچ های کنگره دار 8 را باز کنید و آنها را همراه با واشرهای فنی و صفحه پوشش 7 بردارید.

1 دو تیغه اره 3 را نخست از سمت پائین در راهنمای 2 تیغه اره قرار دهید. توجه داشته باشید که بریدگی های طولی موجود در تیغه های اره بخوبی در سوزن برجسته هدایت کننده تیغه اره قرار بگیرد.

2 سپس دو تیغه اره 3 را طوری در سوزن برجسته برای قرار دادن تیغه اره جا گذاری کنید که تیغه های اره بدرستی در شیار راهنمای تیغه اره قرار بگیرند.

صفحه پوشش 7 را روی پیچ های موجود در بدنه دستگاه قرار دهید و آنرا بوسیله پیچ های کنگره دار 8 سفت کنید. مطمئن شوید که واشرهای فنی در زیر قرار دارند.

نصب صفحه پایه (رجوع شود به تصویر C)

راهنمای تیغه اره 2 را در شکاف مربوطه در صفحه پایه 4 قرار دهید. پیچ مهار 9 را محکم کنید.

مکش گرد، براده و تراشه

◀ گرد و غبار موادی مانند رنگ های دارای سرب، بعضی از چوب ها، مواد معدنی و فلزات میتوانند برای سلامتی مضر باشند. دست زدن و یا تنفس کردن گرد و غبار ممکن است باعث بروز آلرژی و یا بیماری مجاری تنفسی شخص استفاده کننده و یا افرادی که در آن نزدیکی میباشند، بشود.

گرد و غبارهای مخصوصی مانند گرد و غبار درخت بلوط و یا درخت راش سرطان زا هستند. بخصوص ترکیب آنها با سایر موادی که برای کار بر روی چوب (کرومات، مواد برای محافظت از چوب) بکار برده میشوند. فقط افراد متخصص مجازند با موادی که دارای آزیست میباشند کار کنند.

- توجه داشته باشید که محل کار شما از تهویه هوای کافی برخوردار باشد.

- توصیه میشود از ماسک تنفسی ایمنی با درجه فیلتر P2 استفاده کنید.

به قوانین و مقررات معتبر در کشور خود در رابطه با استفاده از مواد و قطعات کاری توجه کنید.



تشریح دستگاه و عملکرد آن

کلیه دستورات ایمنی و راهنمایی ها را مطالعه کنید. اشتباهات ناشی از عدم رعایت این دستورات ایمنی ممکن است باعث برق گرفتگی، سوختگی و یا سایر جراحات های شدید شود.



موارد استفاده از دستگاه

این ابزار برقی برای بریدن اشکال مختلف و دلخواه در مواد پلاستیکی اسفنجی، لاستیک اسفنجی و مواد و مصالح مشابه مناسب است.

اجزاء دستگاه

شماره های اجزاء دستگاه که در تصویر مشاهده میشود، مربوط به شرح ابزار برقی می باشد که تصویر آن در این دفترچه آمده است.

- 1 کلید قطع و وصل
- 2 راهنمای تیغه اره *
- 3 تیغه اره دوتایی *
- 4 صفحه پایه/کفی
- 5 دسته (با روکش عایق دار)
- 6 پیچ
- 7 صفحه پوشش
- 8 پیچ کنگره دار
- 9 پیچ مهار صفحه پایه

* کلیه متعلقاتی که در تصویر و یا در متن آمده است، بطور معمول همراه دستگاه ارائه نمی شود. لطفاً لیست کامل متعلقات را از فهرست برنامه متعلقات اکتباس نامید.

مشخصات فنی

اره مواد اسفنجی (اسفنج بر)		GSG 300
شماره فنی		0 601 575 1..
قدرت ورودی نامی	W	350
قدرت خروجی	W	185
تعداد ضربه (سرعت) در حالت آزاد n_0	min^{-1}	3500
تعداد ضربه (دور) تحت فشار (هنگام برش)	min^{-1}	2100
حداکثر عمق برش	mm	300
وزن مطابق استاندارد EPTA-Procedure 01:2014	kg	1,6
کلاس ایمنی		□/II

این اطلاعات برای ولتاژ نامی [U] 230 V ولت می باشند و در صورت تغییر ولتاژ و یا در کشورهای دیگر می توانند تغییر کنند.

قبل از تنظیم ابزار الکتریکی، تعویض متعلقات و یا کنار گذاشتن آن، دوشاخه را از برق کشیده و یا باتری آنرا خارج کنید. رعایت این اقدامات پیشگیری ایمنی از راه افتادن ناخواسته ابزار الکتریکی جلوگیری می کند.

ابزار الکتریکی را در صورت عدم استفاده، از دسترس کودکان دور نگهدارید. اجازه ندهید که افراد ناوارد و یا اشخاصی که این دفترچه راهنما را نخوانده اند، با این دستگاه کار کنند. قرار گرفتن ابزار الکتریکی در دست افراد ناوارد و بی تجربه خطرناک است.

از ابزار الکتریکی خوب مراقبت کنید. مواظب باشید که قسمت های متحرک دستگاه خوب کار کرده و گیر نکند. همچنین دقت کنید که قطعات ابزار الکتریکی شکسته و یا آسیب دیده نباشند. قطعات آسیب دیده را قبل از شروع به کار تعمیر کنید. علت بسیاری از سوانح کاری، عدم مراقبت کامل از ابزارهای الکتریکی می باشد.

ابزار برش را تیز و تمیز نگهدارید. ابزار برشی که خوب مراقبت شده و از لبه های تیز برخوردارند، کمتر در قطعه کار گیر کرده و بهتر قابل هدایت می باشند.

ابزارهای الکتریکی، متعلقات، ابزارهای که روی دستگاه نصب می شوند و غیره را مطابق دستورات این جزوه راهنما طوری به کار بگیرید که با مدل این دستگاه تناسب داشته باشند. همچنین به شرایط کاری و نوع کار توجه کنید. کاربرد ابزار برقی برای موارد کاری که برای آن در نظر گرفته نشده است، میتواند شرایط خطرناکی را منجر شود.

سرویس

برای تعمیر ابزار الکتریکی فقط به متخصصین حرفه ای رجوع کرده و از وسائل یدکی اصل استفاده کنید. این باعث خواهد شد که ایمنی دستگاه شما تضمین گردد.

راهنمایی ها و نکات ایمنی برای اره های اسفنج بر

چنانچه بسته به نوع کار خود، امکان تماس متعلقات ابزار با کابل های برق (داخل ساختمان) که قابل رویت نیستند و یا کابل خود ابزار برقی وجود داشته باشد، بایستی ابزار برقی را از محل دسته و سطوح عایق دار آن در دست بگیرید. تماس با سیم و کابلی که هادی جریان برق است، می تواند جریان برق را به بخش های فلزی دستگاه نیز انتقال دهد و باعث برق گرفتگی شود.

دستهایتان را از اطراف تیغه اره دور نگهدارید. دست خود را به قسمت زیر قطعه کار نزدیک نکنید. تماس با تیغه اره باعث جراحت خواهد شد.

فارسی

راهنمائی های ایمنی

راهنمائی های ایمنی عمومی برای ابزارهای الکتریکی

⚠ هشدار همه دستورات ایمنی و راهنمائی ها را بخوانید. اشتباهات ناشی از عدم رعایت این دستورات ایمنی ممکن است باعث برق گرفتگی، سوختگی و یا سایر جراحات های شدید شود.

همه هشدار های ایمنی و راهنمائی ها را برای آینده خوب نگهداری کنید.

هر جا در این راهنما از «ابزار الکتریکی» صحبت میشود، منظور ابزارهای الکتریکی (با سیم برق) و یا ابزارهای الکتریکی باتری دار (بدون سیم برق) می باشد.

ایمنی محل کار

محل کار خود را تمیز، مرتب و مجهز به نور کافی نگهدارید. محیط کار نامرتب و کم نور میتواند باعث سوانح کاری شود.

با ابزار الکتریکی در محیط هایی که در آن خطر انفجار وجود داشته و حاوی مایعات، گازها و بخارهای ممتزقه باشد، کار نکنید. ابزار های الکتریکی جرقه هایی ایجاد می کنند که می توانند باعث آتش گرفتن گرد و غبارهای موجود در هوا شوند.

هنگام کار با ابزار الکتریکی، کودکان و سایر افراد را از دستگاه دور نگهدارید. در صورتیکه حواس شما پرت شود، ممکن است کنترل دستگاه از دست شما خارج شود.

ایمنی الکتریکی

دوشاخه ابزار الکتریکی باید با پریز برق تناسب داشته باشد. هیچگونه تغییری در دوشاخه ندهید. مبدل دوشاخه نباید همراه با ابزار الکتریکی دارای اتصال به زمین استفاده شود. دوشاخه های اصل و تغییر داده نشده و پریزهای مناسب، خطر شوک الکتریکی و برق گرفتگی را کم می کنند.

از تماس بدنی با قطعات متصل به سیم اتصال به زمین مانند لوله، شوفاژ، اجاق برقی و یخچال خودداری کنید. در صورت تماس بدنی با سطوح و قطعات دارای اتصال به زمین و همچنین تماس شما با زمین، خطر برق گرفتگی افزایش می یابد.

دستگاه را از باران و رطوبت دور نگهدارید. نفوذ آب به ابزار الکتریکی، خطر شوک الکتریکی را افزایش میدهد.

از سیم دستگاه برای کارهایی چون حمل ابزار الکتریکی، آویزان کردن آن و یا خارج کردن دوشاخه از برق استفاده نکنید. کابل دستگاه را در مقابل حرارت، روغن، لبه های تیز و بخش های متحرک دستگاه دور نگهدارید. کابل های آسیب دیده و یا گره خورده خطر شوک الکتریکی را افزایش میدهند.

در صورتیکه با ابزار الکتریکی در محیط باز کار میکنید، تنها از کابل رابطی استفاده کنید که برای محیط باز نیز مناسب باشد. کابل های رابط مناسب برای محیط باز، خطر برق گرفتگی را کم می کنند.

در صورت لزوم کار با ابزار برقی در محیط و اماکن مرطوب، باید از یک کلید حفاظتی جریان خطا و نشتی زمین (کلید قطع کننده اتصال با زمین) استفاده کنید. استفاده از کلید حفاظتی جریان خطا و نشتی زمین خطر برق گرفتگی را کاهش می دهد.

رعایت ایمنی اشخاص

حواس خود را خوب جمع کنید، به کار خود دقت کنید و با فکر و هوش کامل با ابزار الکتریکی کار کنید. در صورت خستگی و یا در صورتیکه مواد مخدر، الکل و دارو استفاده کرده اید، با ابزار الکتریکی کار نکنید. یک لحظه بی توجهی هنگام کار با ابزار الکتریکی، میتواند جراحات های شدیدی به همراه داشته باشد.

از تجهیزات ایمنی شخصی و از عینک ایمنی همواره استفاده کنید. استفاده از تجهیزات ایمنی مانند ماسک ایمنی، کفش های ایمنی ضد لغزش، کلاه ایمنی و گوشی ایمنی متناسب با نوع کار با ابزار الکتریکی، خطر مجروح شدن را کاهش میدهد.

مواظب باشید که ابزار الکتریکی بطور ناخواسته بکار نیفتد. قبل از وارد کردن دوشاخه دستگاه در پریز برق، اتصال آن به باتری، برداشتن آن و یا حمل دستگاه، باید دقت کنید که ابزار الکتریکی خاموش باشد. در صورتیکه هنگام حمل دستگاه انگشت شما روی دکمه قطع و وصل باشد و یا دستگاه را در حالت روشن به برق بزنید، ممکن است سوانح کاری پیش آید.

قبل از روشن کردن ابزار الکتریکی، باید همه ابزارهای تنظیم کننده و آچار ها را از روی دستگاه بردارید. ابزار و آچارهایی که روی بخش های چرخنده دستگاه قرار دارند، میتوانند باعث ایجاد جراحات شوند.

وضعیت بدن شما باید در حالت عادی قرار داشته باشد. برای کار جای مطمئنی برای خود انتخاب کرده و تعادل خود را همواره حفظ کنید. به این ترتیب می توانید ابزار الکتریکی را در وضعیت های غیر منتظره بهتر تحت کنترل داشته باشید.

لباس مناسب بپوشید. از پوشیدن لباس های گشاد و حمل زینت آلات خودداری کنید. موها، لباس و دستکش ها را از بخش های در حال چرخش دستگاه دور نگهدارید. لباس های گشاد، موی بلند و زینت آلات ممکن است در قسمت های در حال چرخش دستگاه گیر کنند.

در صورتیکه میتوانید وسایل مکش گرد و غبار و یا وسیله جمع کننده گرد و غبار را به دستگاه نصب کنید، باید مطمئن شوید که این وسایل درست نصب و استفاده می شوند. استفاده از وسایل مکش گرد و غبار مصونیت شما را در برابر گرد و غبار زیاد تر میکند.

استفاده صحیح از ابزار الکتریکی و مراقبت از آن

از وارد کردن فشار زیاد روی دستگاه خودداری کنید. برای هر کاری، از ابزار الکتریکی مناسب با آن استفاده کنید. بکار گرفتن ابزار الکتریکی مناسب باعث میشود که بتوانید از توان دستگاه بهتر و با اطمینان بیشتر استفاده کنید.

در صورت ایراد در کلید قطع و وصل ابزار برقی، از دستگاه استفاده نکنید. ابزار الکتریکی که نمی توان آنها را قطع و وصل کرد، خطرناک بوده و باید تعمیر شوند.